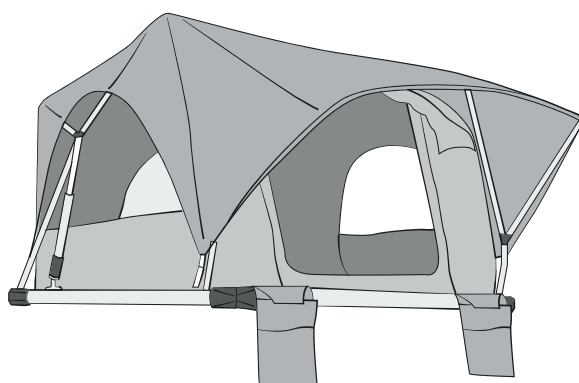


↗ DOMETIC

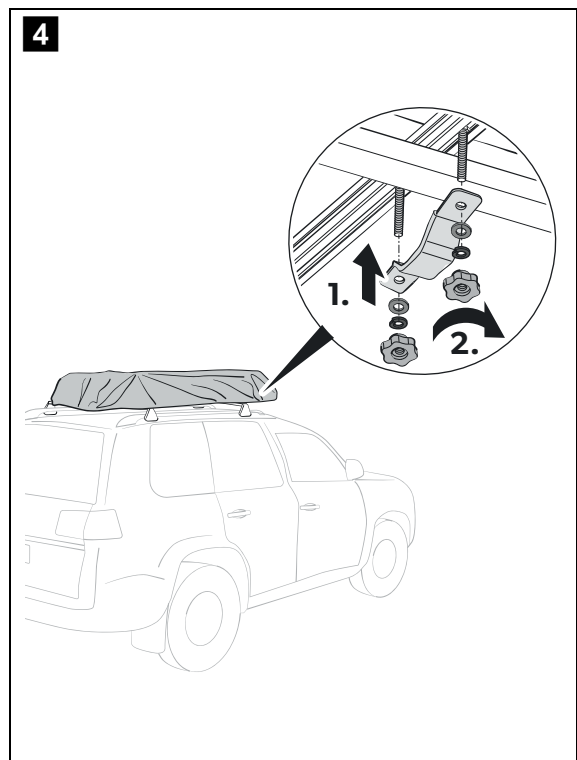
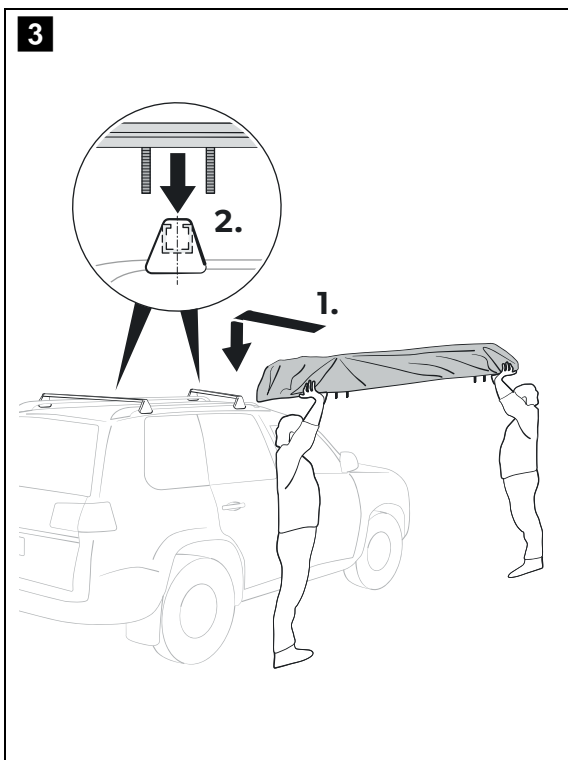
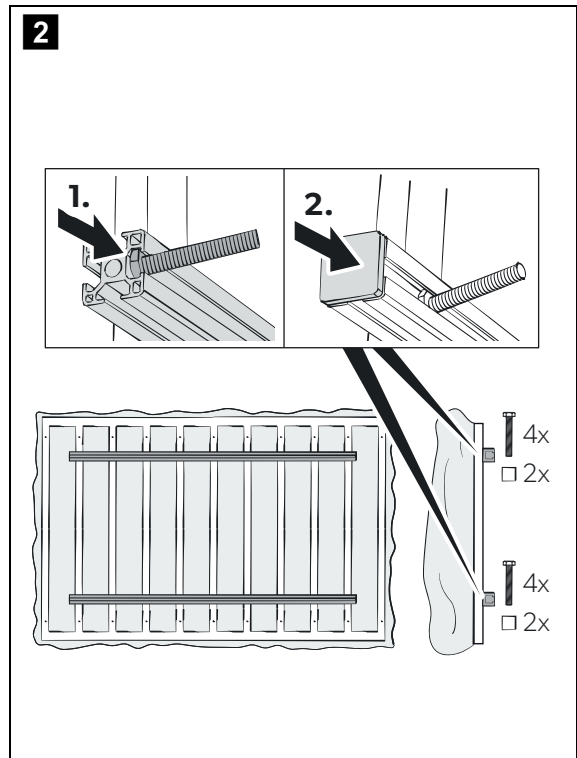
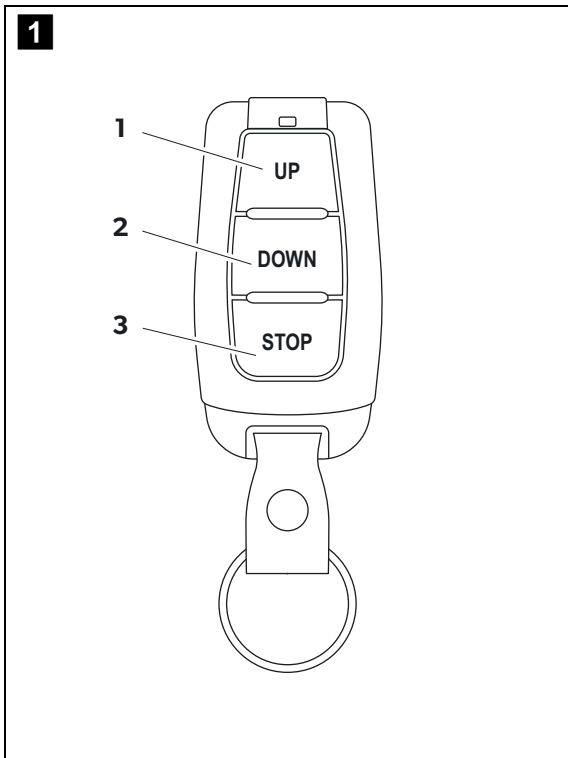
TENTS & EQUIPMENT ROOFTOP

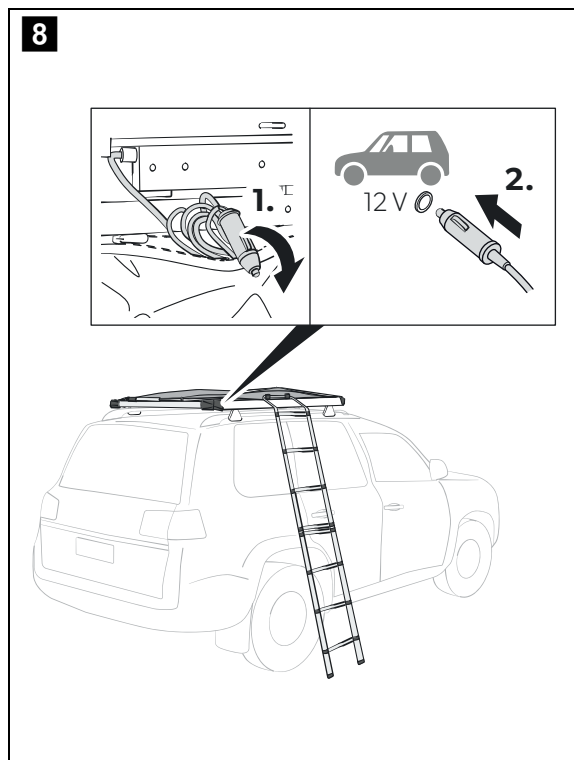
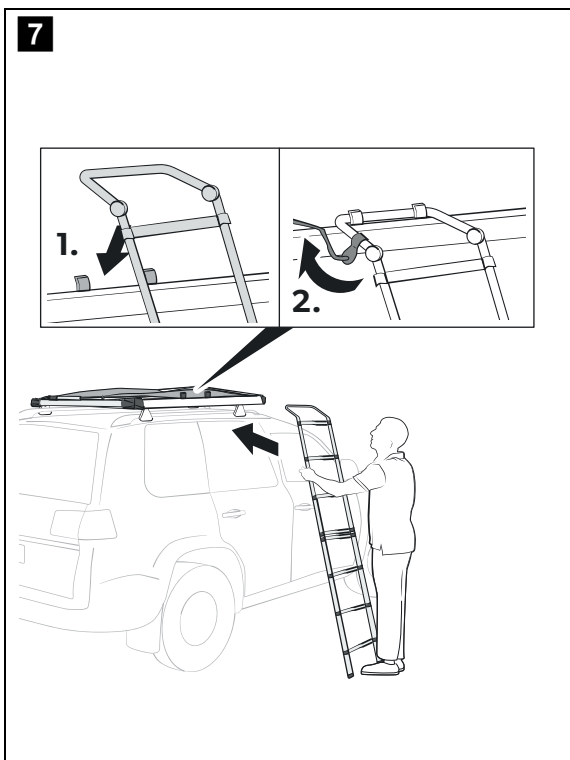
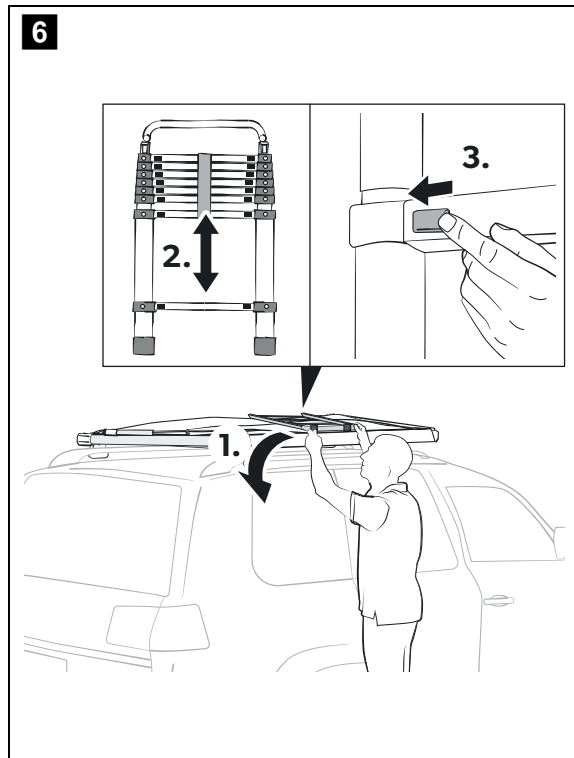
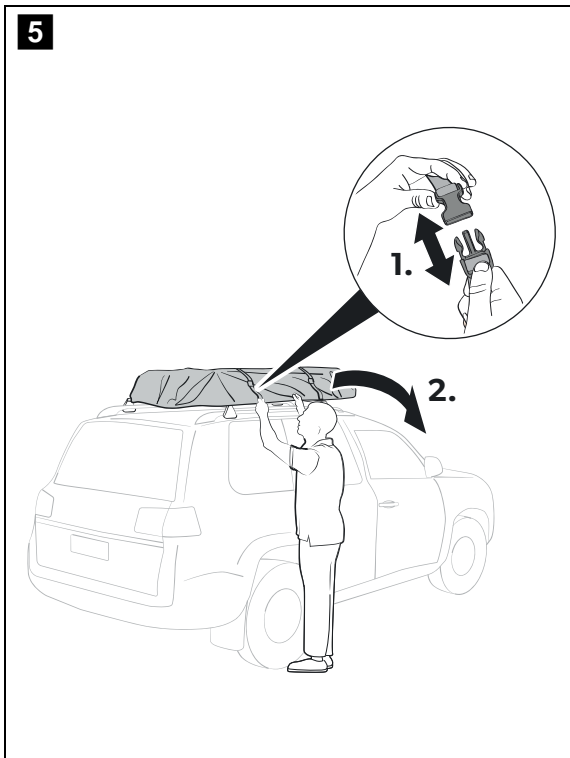


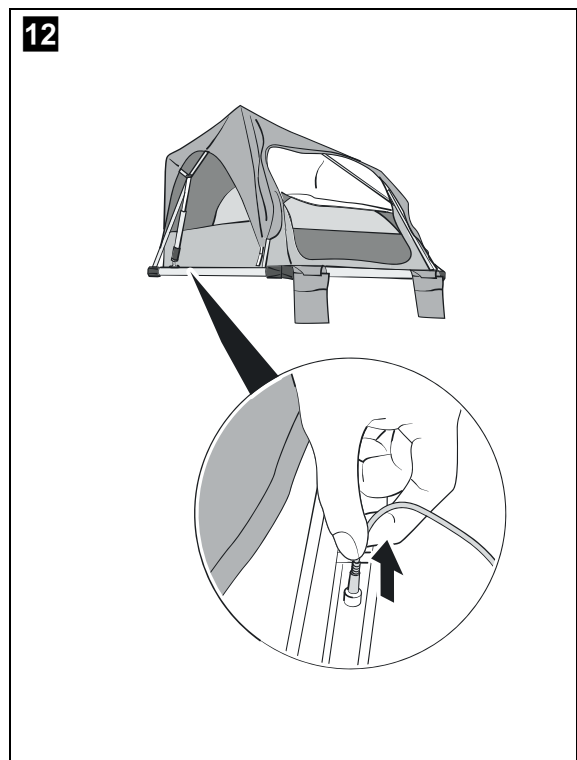
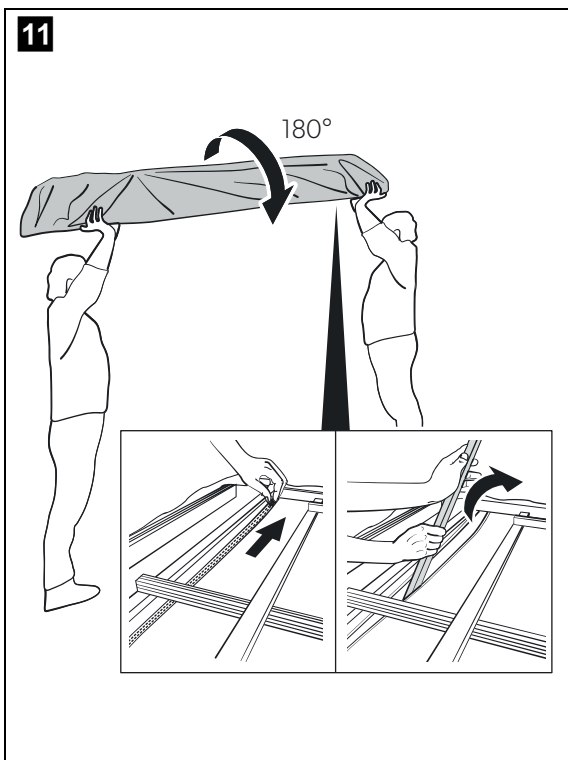
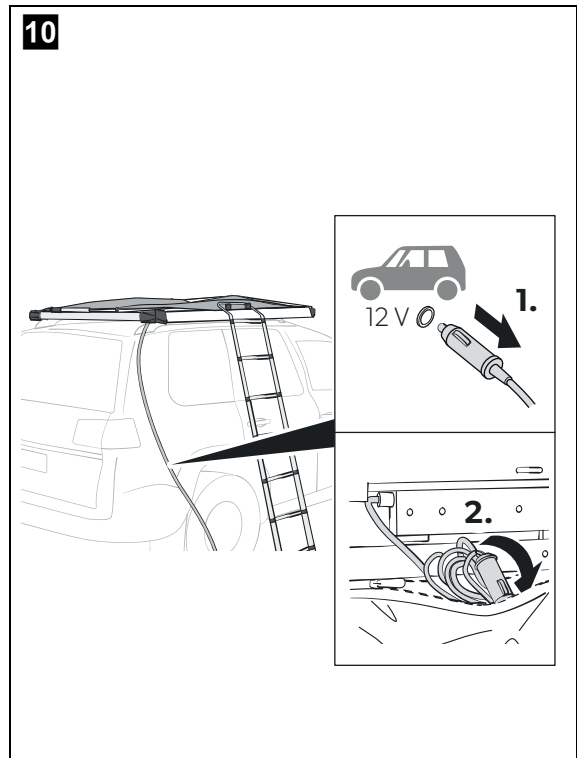
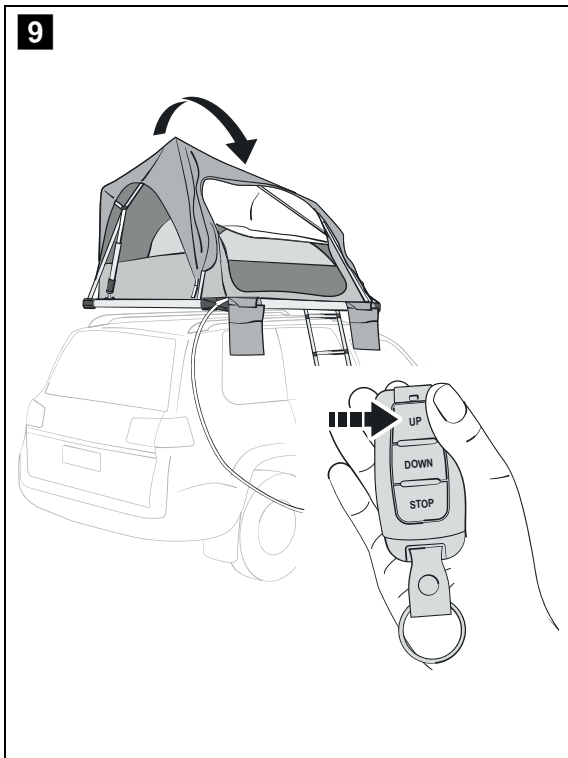
TRT120E

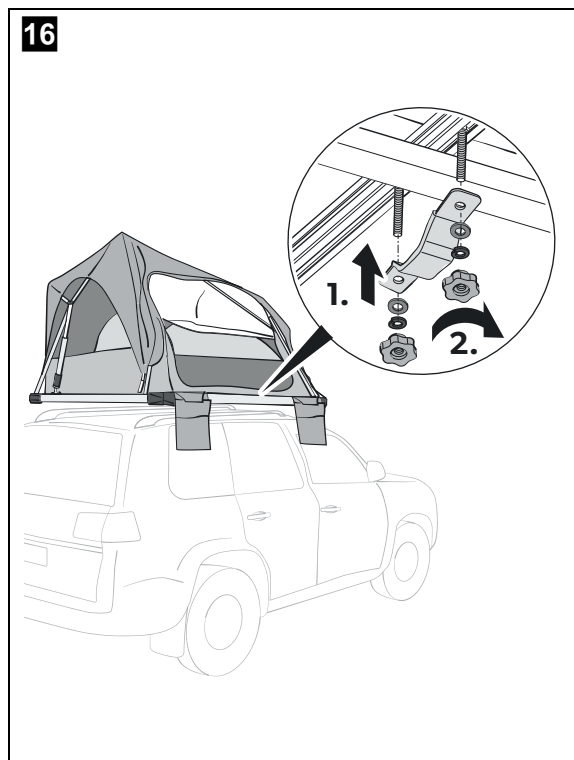
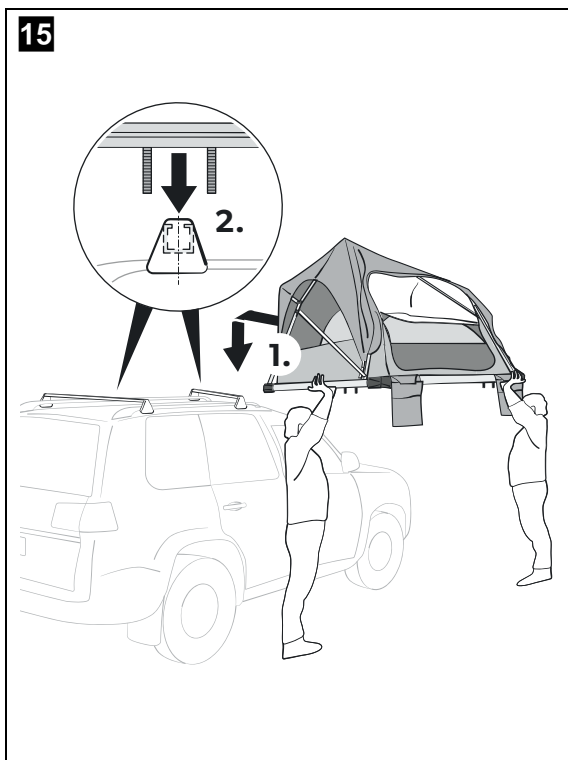
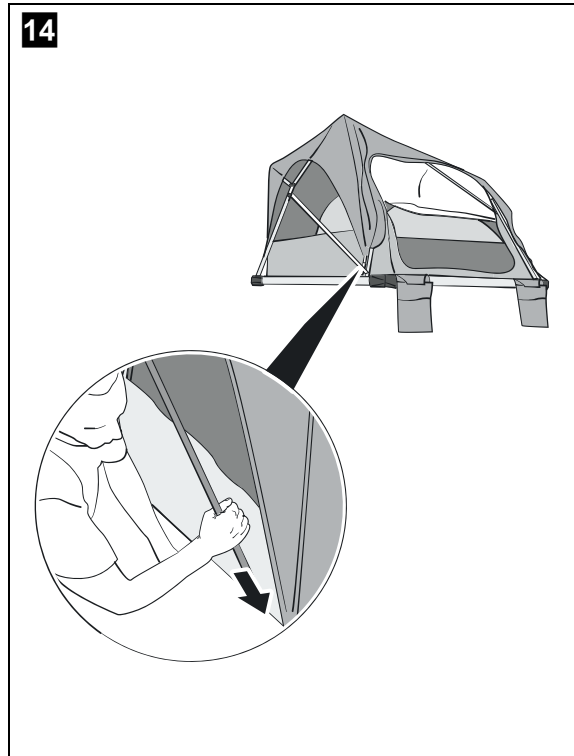
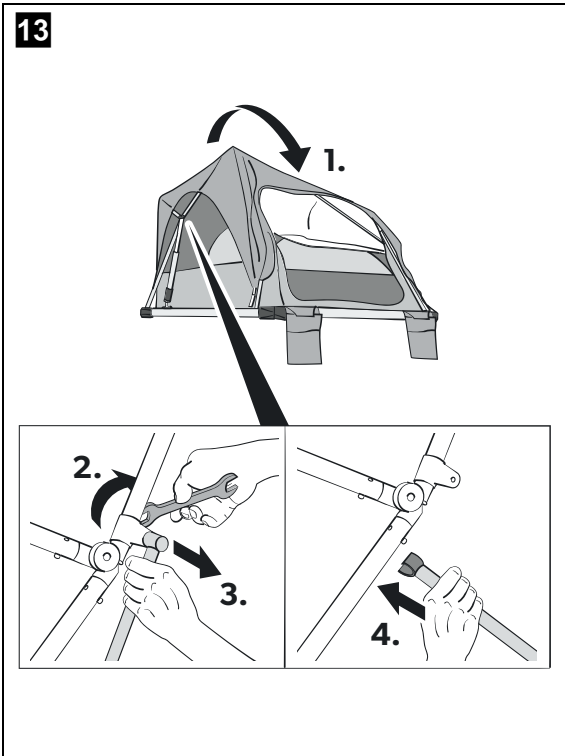
| | | | |
|----|--|----|--|
| EN | Rooftop tent Installation and Operating Manual 8 | NO | Taktelt Monterings- og bruksanvisning 44 |
| DE | Dachzelt Montage- und Bedienungsanleitung . . . 12 | FI | Kattotelta Asennus- ja käyttöohje 48 |
| FR | Tente de toit Instructions de montage et de service 16 | RU | Накрышная палатка Инструкция по монтажу и эксплуатации 52 |
| ES | Tienda de techo Instrucciones de montaje y de uso 20 | PL | Namiot dachowy Instrukcja montażu i obsługi 56 |
| PT | Tenda de tejadilho Instruções de montagem e manual de instruções 24 | SK | Strešný stan Návod na montáž a uvedenie do prevádzky 60 |
| IT | Tenda da tetto Istruzioni di montaggio e d'uso 28 | CS | Střešní stan Návod k montáži a obsluze 64 |
| NL | Daktent Montagehandleiding en gebruiksaanwijzing 32 | HU | Tetőszátor Szerelési és használati útmutató 68 |
| DA | Tagtelt Monterings- og betjeningsvejledning . . 36 | AR | خيمة السقف التركيب والتشغيل دليل 72 |
| SV | Taktält Monterings- och bruksanvisning 40 | | |

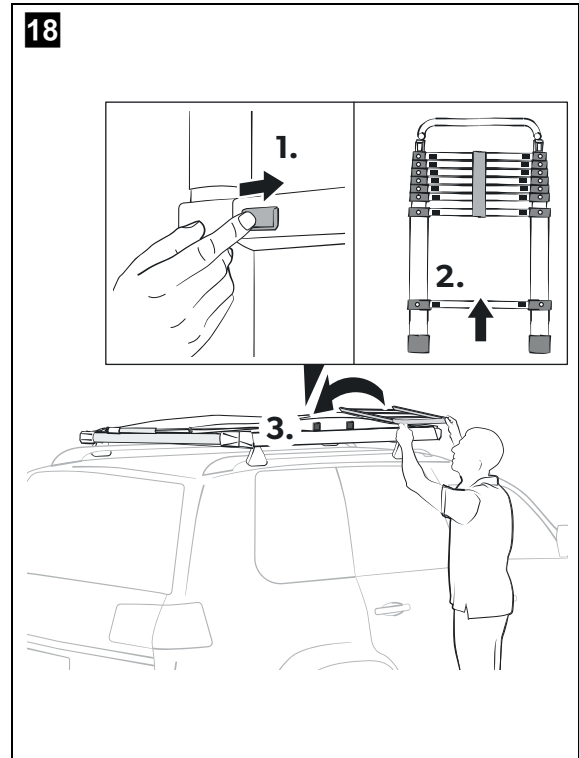
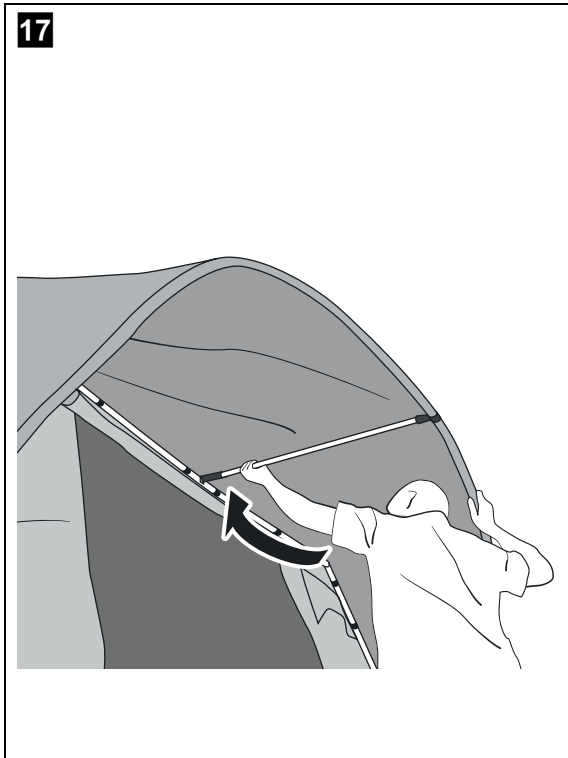
© 2021 Dometic Group. The visual appearance of the contents of this manual is protected by copyright and design law. The underlying technical design and the products contained herein may be protected by design, patent or be patent pending. The trademarks mentioned in this manual belong to Dometic Sweden AB. All rights are reserved.











Please read these instructions carefully and follow all instructions, guidelines, and warnings included in this product manual in order to ensure that you install, use, and maintain the product properly at all times. These instructions MUST stay with this product.

By using the product, you hereby confirm that you have read all instructions, guidelines, and warnings carefully and that you understand and agree to abide by the terms and conditions as set forth herein. You agree to use this product only for the intended purpose and application and in accordance with the instructions, guidelines, and warnings as set forth in this product manual as well as in accordance with all applicable laws and regulations. A failure to read and follow the instructions and warnings set forth herein may result in an injury to yourself and others, damage to your product or damage to other property in the vicinity. This product manual, including the instructions, guidelines, and warnings, and related documentation, may be subject to changes and updates. For up-to-date product information, please visit dometic.com.



DANGER!

Safety instruction: Indicates a hazardous situation that, if not avoided, will result in death or serious injury.



WARNING!

Safety instruction: Indicates a hazardous situation that, if not avoided, could result in death or serious injury.



NOTICE!

Indicates a situation that, if not avoided, can result in property damage.



NOTE

Supplementary information for operating the product.

General safety instructions



DANGER! Failure to obey this instruction will cause death or serious injury.

Hazard of carbon monoxide poisoning

- Never use a fuel-burning appliance such as barbecues or gas heaters inside the rooftop tent. The burning process produces carbon monoxide which accumulates inside the tent as there is no flue.



WARNING! Failure to obey these warnings could result in death or serious injury.

Fire hazard

- Make sure you know the fire precaution arrangements on the site.
- Do not cook inside the rooftop tent or use open flames.

Beware of suffocation

- Make sure ventilation openings are open all the time to avoid suffocation.

Risk of injury

- This device is not intended for use by persons (including children) with reduced physical, sensory or mental capabilities.
- Do not allow children to play with the rooftop tent and ensure that the remote control is stored away from children all the time.
- Cleaning and user maintenance may not be carried out by children.
- Always check the weather forecast before you set up and use the rooftop tent.
 - Do not use the rooftop tent if a storm or a thunderstorm is announced.
 - If you get caught in a thunderstorm, immediately leave the rooftop tent and get yourself to safety in your vehicle. Stay in your vehicle until the thunderstorm is over to avoid being struck by lightning.
 - Do not set up, use or fold down the rooftop tent if it is very windy.
 - Do not fold down the rooftop tent during heavy rain.
- Do not use the rooftop tent if any part or any of its components is visibly damaged. Contact the manufacturer for assistance.



NOTICE! Damage hazard

- Only use tested (e.g. GS-tested) roof racks that are approved for use with your vehicle.
- Before mounting the rooftop tent, make sure that your vehicle and your roof rack offer sufficient load capacity for the rooftop tent and the persons and objects intended to be inside the rooftop tent.
- Do not modify or attempt to repair the electrical motor or the electrical push rods.
- Do not push down on the rooftop tent when it is folded down.
- Keep the remote control dry.



NOTE

- Always keep the vehicle and roof rack manuals with you and follow their instructions.

Safety when transporting the rooftop tent on the rooftop of a vehicle



WARNING! Failure to obey these warnings could result in death or serious injury.

Risk of injury

- Only drive with the rooftop tent on the rooftop of your vehicle if the rooftop tent is folded down and covered correctly with the tent cover.
- Do not drive faster than 110 km/h with the rooftop tent on the rooftop of your vehicle.
- At the beginning of each trip and at regular intervals during each trip, check that the rooftop tent is firmly attached to the roof rack and that the tent cover is safely secured. Always make sure that your rooftop tent is in a safe and appropriate place.
- Unsecured loads and an incorrectly mounted roof rack or rooftop tent can be lost during the journey and injure other road users by falling off.
- Make sure to store the ladder correctly on top of the folded rooftop tent and under the tent cover to prevent the ladder from falling off and injuring other road users during the journey.
- Be sure to adjust your driving behavior (e.g. crosswind sensitivity, cornering, and braking behavior) to accommodate the change in vehicle height.
- The DC power cable has to be disconnected from the power supply during the journey.
- Do not set up or fold down the rooftop tent while the vehicle is in motion.



NOTICE! Damage hazard

- The rooftop tent increases the vehicle height. Beware of low entrances, low bridges, low hanging branches and other obstacles.
- Remove the rooftop tent and the roof rack when using an automatic car wash.



NOTE

- Wind noise may occur when driving with the rooftop tent on the rooftop of a vehicle.

Scope of delivery

| Component | Quantity |
|----------------------------|----------|
| Pre-assembled rooftop tent | 1 |
| Telescopic aluminum ladder | 1 |
| Tent cover | 1 |
| Wireless remote control | 1 |

| Component | Quantity |
|-----------------------------|----------|
| DC power cable | 1 |
| Tool bag | 1 |
| Plastic nuts | 8 |
| M8 x 50 hexagon bolt | 8 |
| M8 flat washer | 8 |
| M8 split washer | 8 |
| Rail cap | 4 |
| U-shaped bracket | 4 |
| Spare pole for manual setup | 2 |
| L-shaped hexagonal wrench | 2 |
| Screw driver | 1 |

Intended use

This rooftop tent is suitable for:

- mounting on a suitable roof rack on the rooftop of a suitable vehicle
- light to moderate weather
- touring

This rooftop tent is **not** suitable for:

- use by persons with reduced physical, sensory or mental capabilities
- very strong winds or snowfall
- seasonal pitch or commercial use

This product is only suitable for the intended purpose and application in accordance with these instructions.

This manual provides information that is necessary for proper installation and/or operation of the product. Poor installation and/or improper operating or maintenance will result in unsatisfactory performance and a possible failure.

The manufacturer accepts no liability for any injury or damage to the product resulting from:

- Incorrect assembly or connection, including excess voltage
- Incorrect maintenance or use of spare parts other than original spare parts provided by the manufacturer
- Alterations to the product without express permission from the manufacturer
- Use for purposes other than those described in this manual

Dometic reserves the right to change product appearance and product specifications.

The radio equipment of the device complies with the requirements of the directive 2014/53/EU. You can find the Declaration of Conformity of the device on documents.dometic.com.

Technical description

This rooftop tent is equipped with an electrical motor and a wireless remote control for setting up and folding down. The electrical motor is equipped with an overheat protection.

The rooftop tent can also be set up manually, using the supplied spare poles.

The rooftop tent includes a high-density foam mattress.

For transport on the rooftop of a vehicle, the rooftop tent can be folded down and covered with the supplied tent cover.

Control elements

| No. in fig. 1 , page 3 | Description | Explanation |
|-------------------------------|-------------|--------------------------------------|
| 1 | UP button | Sets up the rooftop tent. |
| 2 | DOWN button | Folds the rooftop tent down. |
| 3 | STOP button | Stops the setup and folding process. |

Using the rooftop tent



WARNING! Risk of injury

- Make sure the rooftop tent is firmly attached to the roof rack before climbing the ladder.
- Make sure the ladder is hooked into the rooftop tent's base frame firmly before you enter or leave the rooftop tent.
- Always climb the ladder with caution.
- Close the rooftop tent's entrance door before you go to sleep to prevent falling out of the rooftop tent while sleeping.
- Only use the remote control to control the rooftop tent from the ground.



NOTICE! Damage hazard

Keep the side windows open while setting up or folding down the rooftop tent.

Before first use

Familiarize yourself with the product by carrying out a test set up before the product is used for the first time. Check if the scope of delivery is complete.

Mounting the rooftop tent



WARNING! Risk of injury

- Make sure no other persons, especially children, are near the vehicle when you and your helper lift the rooftop tent onto the rooftop of the vehicle.
- Lift the rooftop tent onto the rooftop of your vehicle together with another capable person to prevent the rooftop tent from falling down.
- Mount the rooftop tent parallel to the road line and not at an angle to avoid creating excessive lifting force.
- Fix all bolts so they are sufficiently secured.

Mounting for electrical setup

- ▶ Proceed as shown (fig. **2**, page 3 – fig. **4**, page 3).

Mounting for manual setup

- ▶ See chapter "Setting up the rooftop tent manually" on page 10.

Setting up the rooftop tent

Setting up the rooftop tent electrically



WARNING! Risk of injury

Disconnect the DC power cable from the power supply after setting up the rooftop tent.



NOTE

If the electrical setup does not work, set up the rooftop tent manually (see chapter "Setting up the rooftop tent manually" on page 10).

- Proceed as shown (fig. 5, page 4 – fig. 10, page 5 and fig. 17, page 7).

Setting up the rooftop tent manually



WARNING! Risk of injury

Do not attempt to exchange the poles while the rooftop tent is mounted on the rooftop of the vehicle.



NOTICE! Material damage

Do not attempt to remove the spare poles from underneath the roof top tent while the rooftop tent is mounted on the rooftop of the vehicle. This could damage the car paint of the vehicle.

1. If the rooftop tent is already mounted on the roof rack, dismount the rooftop tent first by reversing the mounting procedure.
2. Proceed as shown (fig. 11, page 5 – fig. 17, page 7).

Folding down the rooftop tent



WARNING! Risk of injury

Make sure no persons or objects are in the rooftop tent before you fold down the rooftop tent.



NOTICE! Material damage

- When folding down and covering the rooftop tent, make sure the rooftop tent is dry.
- If the frame contains water, set it up to pour out the water.

- Reverse the set up procedure.

Storing the rooftop tent

Storing on the rooftop of a vehicle



WARNING! Risk of injury

- For the safety of other road users and reasons of fuel economy, only store the rooftop tent on the rooftop of a vehicle during a journey.
- Remove the rooftop tent when not in use for a longer period of time and store it according to chapter "Storing for a longer period of time" on page 10.
- Observe the safety instructions for transporting the rooftop tent on the rooftop of a vehicle (see chapter "Safety when transporting the rooftop tent on the rooftop of a vehicle" on page 8).

1. Fold down the rooftop tent (see chapter "Folding down the rooftop tent" on page 10).
2. Store the ladder on the folded rooftop tent (fig. 18, page 7).
3. Put the tent cover on the folded rooftop tent and close the soft straps of the tent cover firmly.

Storing for a longer period of time

1. Dismount the rooftop tent from the roof rack.
2. If necessary, clean the rooftop tent (see chapter "Cleaning and maintenance" on page 10.)
3. Make sure the rooftop tent is completely dry before packing away.
4. Store in a well ventilated dry place.

Cleaning and maintenance



WARNING! Risk of injury

Only clean and maintain the rooftop tent on the ground. Never climb onto the vehicle for cleaning the rooftop tent while it is mounted on the rooftop.



NOTICE! Material damage

- Do not use sharp or hard objects or cleaning agents for cleaning.
- Do not use alcohol based materials, chemicals, soap and detergents for cleaning.
- Remove bird droppings and tree resin as soon as possible to avoid permanent damage to the material.



NOTE

- Fully set up the rooftop tent for cleaning.
- Choose a sunny day for cleaning to ensure the material will dry thoroughly.

- If necessary, clean the product with clean, lukewarm water and a soft brush.
- Apply water proofer against water stains and UV radiation before each trip.
- Care for seams and zippers with suitable care products.
- Keep the motorized push rods clean by wiping them with a clean dry cloth.

Troubleshooting



NOTE

- During first exposure to water there may be some moisture at the seams. Through this moisture the threads will swell and fill the holes that are created in the sewing process.
- A fully equipped spare parts kit should include:
 - waterproofer
 - repair tape and repair solution
 - silicone spray for the zippers
 - spare pegs

| Problem | Solution |
|---|---|
| Water leak | <ul style="list-style-type: none"> ➤ Check for leaky seams, damaged tapings and moist areas. ➤ If you cannot find any leaks, see chapter "Condensation" on page 10. ➤ If you find any leaks, apply seam sealant. |
| Rip in the fabric | <ul style="list-style-type: none"> ➤ Use repair tape to seal the fabric. ➤ Have repairs carried out by an authorized specialist. |
| Motor or remote control is not working | <ul style="list-style-type: none"> ➤ Use the spare poles for manual setup (see chapter "Setting up the rooftop tent manually" on page 10). ➤ Have repairs on the electrical motor or the motorized push rods carried out by an authorized specialist. ➤ Replace the battery of the remote control. |
| Ladder hooks are worn or broken | <ul style="list-style-type: none"> ➤ Contact the manufacturer for replacement. |
| Noise while setting up or folding down the rooftop tent | <ul style="list-style-type: none"> ➤ Inspect the poles and joints. ➤ Have repairs carried out by an authorized specialist. |

Condensation

All tents suffer from internal condensation if one or more of the following conditions apply:

- high air humidity
- a drop in temperature

Severe condensation can run down the inside of the roof and drip off ties, tapes and other internal fittings and can be mistaken for leaking.

- Increase ventilation by opening doors and/or windows.

Disposal

- Place the packaging material in the appropriate recycling waste bins, wherever possible.



If you wish to finally dispose of the product, ask your local recycling center or specialist dealer for details about how to do this in accordance with the applicable disposal regulations.

Warranty


The statutory warranty period applies. If the product is defective, please contact your retailer or the manufacturer's branch in your country (see dometic.com/dealer).

For repair and warranty processing, please include the following documents when you send in the product:

- A copy of the receipt with purchasing date
- A reason for the claim or description of the fault

The warranty covers manufacturing defects, materials and parts. The warranty does not cover fading of the cover and wear and tear due to UV radiation, misuse, accidental damage, storm damage, or permanent, semi-permanent or commercial use. It does not cover any resulting damage. Please contact your dealer for claims. This does not affect your statutory rights.

Technical data

| | TRT120E |
|------------------------------------|---|
| Connection voltage: | 12 V DC |
| Power consumption: | 20 W |
| Minimum socket rating: | 10 A |
| Remote control frequency: | 433 MHz |
| Foam mattress depth: | 5 cm |
| Dimensions inner tent (W x H x D): | 120 x 100 x 200 cm |
| Dimensions outer tent (W x H x D): | 132 x 115 x 218 cm |
| Packing dimensions (W x H x D): | 144 x 32 x 229 cm |
| Weight (including ladder): | 53 kg |
| Conformity: |  |

Lesen und befolgen Sie bitte alle Anweisungen, Richtlinien und Warnhinweise in diesem Produkthandbuch sorgfältig, um sicherzustellen, dass Sie das Produkt ordnungsgemäß installieren und stets ordnungsgemäß betreiben und warten. Diese Anleitung MUSS bei dem Produkt verbleiben.

Durch die Verwendung des Produktes bestätigen Sie hiermit, dass Sie alle Anweisungen, Richtlinien und Warnhinweise sorgfältig gelesen haben und dass Sie die hierin dargelegten Bestimmungen verstanden haben und ihnen zustimmen. Sie erklären sich damit einverstanden, dieses Produkt nur für den angegebenen Verwendungszweck und gemäß den Anweisungen, Richtlinien und Warnhinweisen dieses Produkthandbuchs sowie gemäß allen geltenden Gesetzen und Vorschriften zu verwenden. Eine Nichtbeachtung der hierin enthaltenen Anweisungen und Warnhinweise kann zu einer Verletzung Ihrer selbst und anderer Personen, zu Schäden an Ihrem Produkt oder zu Schäden an anderem Eigentum in der Umgebung führen. Dieses Produkthandbuch, einschließlich der Anweisungen, Richtlinien und Warnhinweise, sowie die zugehörige Dokumentation können Änderungen und Aktualisierungen unterliegen. Aktuelle Produktinformationen finden Sie unter dometic.com.



GEFAHR!

Sicherheitshinweis: Nichtbeachtung dieses Hinweises führt zu Tod oder schwerer Verletzung.



WARNUNG!

Sicherheitshinweis: Nichtbeachtung kann zu Tod oder schwerer Verletzung führen.



ACHTUNG!

Nichtbeachtung dieses Hinweises kann zu Sachschäden führen und die Funktion des Produkts beeinträchtigen.



HINWEIS

Ergänzende Informationen zur Bedienung des Produktes.

Grundlegende Sicherheitshinweise



GEFAHR! Nichtbeachtung dieses Hinweises führt zu Tod oder schwerer Verletzung.

Gefahr einer Kohlenmonoxidvergiftung

- Verwenden Sie im Inneren des Dachzelts niemals ein mit Brennstoff betriebenes Gerät wie Grillgeräte oder Gasheizungen. Bei der Verbrennung entsteht Kohlenmonoxid, das sich im Inneren des Zeltes ansammelt, da es keinen Abzug gibt.



WARNUNG! Nichtbeachtung dieser Warnungen kann zum Tod oder schwerer Verletzung führen.

Brandgefahr

- Machen Sie sich mit den Brandschutzmaßnahmen vor Ort vertraut.
- Kochen Sie nicht im Dachzelt und verwenden Sie keine offenen Flammen.

Erstickungsgefahr

- Stellen Sie sich, dass die Belüftungsöffnungen jederzeit geöffnet sind, um Ersticken zu verhindern.

Verletzungsgefahr

- Dieses Gerät ist nicht dafür bestimmt, durch Personen (einschließlich Kinder) mit eingeschränkten physischen, sensorischen oder geistigen Fähigkeiten benutzt zu werden.
- Lassen Sie Kinder nicht mit dem Dachzelt spielen und stellen Sie sicher, dass die Fernbedienung stets außerhalb der Reichweite von Kindern aufbewahrt wird.
- Reinigung und Pflege dürfen nicht von Kindern durchgeführt werden.



ACHTUNG! Beschädigungsgefahr

- Nehmen Sie keine Veränderungen oder Reparaturversuche am Elektromotor oder den elektrischen Schubstangen vor.
- Drücken Sie das Dachzelt nicht herunter, wenn es zusammengeklappt ist.
- Halten Sie die Fernbedienung trocken.



HINWEIS

- Führen Sie die Handbücher des Fahrzeugs und des Dachträgers immer mit sich und befolgen Sie die Anweisungen darin.

Sicherheit beim Transport des Dachzelts auf dem Dach eines Fahrzeuges



WARNUNG! Nichtbeachtung dieser Warnungen kann zum Tod oder schwerer Verletzung führen.
Verletzungsgefahr

- Fahren Sie mit dem Dachzelt auf dem Dach Ihres Fahrzeugs nur, wenn das Dachzelt zusammengeklappt und mit der Zeltabdeckung korrekt abgedeckt ist.
- Fahren Sie nicht schneller als 110 km/h mit dem Dachzelt auf dem Dach Ihres Fahrzeugs.
- Prüfen Sie zu Beginn jeder Fahrt und in regelmäßigen Abständen während der Fahrt, ob das Dachzelt fest auf dem Dachgepäckträger angebracht und die Zeltabdeckung sicher befestigt ist. Stellen Sie stets sicher, dass sich Ihr Dachzelt an einem sicheren und geeigneten Ort befindet.
- Ungesicherte Lasten und ein falsch montierter Dachträger oder ein falsch montiertes Dachzelt können während der Fahrt verloren gehen und andere Verkehrsteilnehmer durch Herunterfallen verletzen.
- Achten Sie darauf, die Leiter richtig auf dem zusammengeklappten Dachzelt und unter der Zeltabdeckung zu verstauen, damit die Leiter während der Fahrt nicht herunterfällt und andere Verkehrsteilnehmer verletzt.
- Achten Sie darauf, Ihr Fahrverhalten (z. B. Seitenwindempfindlichkeit, Kurvenfahrt und Bremsverhalten) an die veränderte Fahrzeughöhe anzupassen.

- Das Gleichstromkabel muss während der Fahrt von der Stromversorgung getrennt werden.
- Stellen Sie das Dachzelt nicht während der Fahrt auf und klappen Sie es nicht während der Fahrt zusammen.



ACHTUNG! Beschädigungsgefahr

- Das Dachzelt erhöht die Fahrzeughöhe. Achten Sie auf niedrige Einfahrten, niedrige Brücken, tiefhängende Äste und andere Hindernisse.
- Entfernen Sie das Dachzelt und den Dachgepäckträger, wenn Sie eine automatische Autowaschanlage benutzen.



HINWEIS

- Beim Fahren mit dem Dachzelt auf dem Fahrzeugdach können Windgeräusche auftreten.

Lieferumfang

| Komponente | Anzahl |
|-----------------------------------|--------|
| Vormontiertes Dachzelt | 1 |
| Teleskopleiter aus Aluminium | 1 |
| Zeltplane | 1 |
| Funkfernbedienung | 1 |
| Gleichstromkabel | 1 |
| Werkzeugtasche | 1 |
| Kunststoff-Muttern | 8 |
| Sechskantschraube M8 x 50 | 8 |
| Unterlegscheibe M8 | 8 |
| Federring M8 | 8 |
| Schienenkappe | 4 |
| U-förmiger Bügel | 4 |
| Ersatzstange für manuellen Aufbau | 2 |
| L-förmiger Sechskant-Schlüssel | 2 |
| Schraubendreher | 1 |

Bestimmungsgemäßer Gebrauch

Dieses Dachzelt ist geeignet für:

- die Montage auf einem geeigneten Dachträger auf dem Dach eines geeigneten Fahrzeugs
- milde bis mäßige Wetterbedingungen
- Reisetouren

Dieses Dachzelt ist **nicht** geeignet für:

- die Nutzung durch Personen mit eingeschränkten körperlichen, sensorischen oder geistigen Fähigkeiten
- sehr starken Wind oder Schneefall
- einen Saisonplatz oder eine kommerzielle Nutzung

Dieses Produkt ist nur für den angegebenen Verwendungszweck und die Anwendung gemäß dieser Anleitung geeignet.

Dieses Handbuch enthält Informationen, die für die ordnungsgemäße Installation und den ordnungsgemäßen Betrieb des Produkts erforderlich sind. Installationsfehler und/oder ein nicht ordnungsgemäßer Betrieb oder nicht ordnungsgemäße Wartung haben eine unzureichende Leistung und u. U. einen Ausfall des Geräts zur Folge.

Der Hersteller übernimmt keine Haftung für Verletzungen oder Schäden am Produkt, die durch Folgendes entstehen:

- Unsachgemäße Montage oder falscher Anschluss, einschließlich Überspannung

- Unsachgemäße Wartung oder Verwendung von anderen als den vom Hersteller gelieferten Original-Ersatzteilen
- Veränderungen am Produkt ohne ausdrückliche Genehmigung des Herstellers
- Verwendung für andere als die in der Anleitung beschriebenen Zwecke

Dometic behält sich das Recht vor, das Erscheinungsbild des Produkts und dessen technische Daten zu ändern.

Die Funkanlage dieses Geräts erfüllt die Anforderungen der Richtlinie 2014/53/EU. Sie finden die EU-Konformitätserklärung des Geräts auf documents.dometic.com.

Technische Beschreibung


Dieses Dachzelt ist mit einem Elektromotor und einer Funkfernbedienung zum Aufstellen und Zusammenklappen ausgestattet. Der Elektromotor ist mit einem Überhitzungsschutz ausgestattet.

Das Dachzelt kann auch manuell mit den mitgelieferten Ersatzstangen aufgestellt werden.

Das Dachzelt umfasst eine hochdichte Schaumstoffmatratze.

Für den Transport auf dem Dach eines Fahrzeugs kann das Dachzelt zusammengeklappt und mit der mitgelieferten Zeltplane abgedeckt werden.

Bedienelemente

| Nr. in Abb.  , Seite 3 | Beschreibung | Erläuterung |
|---|--------------|--|
| 1 | Taste „UP“ | Stellt das Dachzelt auf. |
| 2 | Taste „DOWN“ | Klappt das Dachzelt zusammen. |
| 3 | Taste „STOP“ | Stoppt den Aufstell- und den Zusammenklappvorgang. |

Verwendung des Dachzelts



WARNUNG! Verletzungsgefahr

- Vergewissern Sie sich, dass das Dachzelt fest mit dem Dachträger verbunden ist, bevor Sie die Leiter besteigen.
- Vergewissern Sie sich, dass die Leiter fest in den Grundrahmen des Dachzeltes eingehängt ist, bevor Sie das Dachzelt betreten oder verlassen.
- Besteigen Sie die Leiter immer mit Vorsicht.
- Schließen Sie die Eingangstür des Dachzelts, bevor Sie schlafen gehen, um ein Herausfallen aus dem Dachzelt während des Schlafens zu verhindern.
- Bedienen Sie das Dachzelt mit der Fernbedienung nur vom Boden aus.



ACHTUNG! Beschädigungsgefahr

Lassen Sie die Seitenfenster beim Aufstellen und Zusammenklappen des Dachzelts geöffnet.

Vor dem ersten Gebrauch

Machen Sie sich mit dem Produkt vertraut, indem Sie einen Testaufbau durchführen, bevor Sie das Produkt zum ersten Mal verwenden. Prüfen Sie, ob die Lieferung vollständig ist.

Montage des Dachzelts



WARNUNG! Verletzungsgefahr

- Achten Sie darauf, dass sich keine anderen Personen, insbesondere Kinder, in der Nähe des Fahrzeugs befinden, wenn Sie und Ihr Helfer das Dachzelt auf das Fahrzeugdach heben.
- Heben Sie das Dachzelt gemeinsam mit einer weiteren geeigneten Person auf das Dach Ihres Fahrzeugs, um ein Herunterfallen des Dachzelts zu verhindern.
- Montieren Sie das Dachzelt parallel zur Fahrbahn und nicht schräg, um eine zu große Auftriebskraft zu vermeiden.
- Befestigen Sie alle Schrauben so, dass sie ausreichend gesichert sind.

Montage für das elektrische Aufstellen

- Gehen Sie vor wie dargestellt (Abb. **2**, Seite 3 bis Abb. **4**, Seite 3).

Montage für das manuelle Aufstellen

- Siehe Kapitel „Manuelles Aufstellen des Dachzelts“ auf Seite 14.

Aufstellen des Dachzelts

Elektrisches Aufstellen des Dachzelts



WARNUNG! Verletzungsgefahr

Trennen Sie nach dem Aufstellen des Dachzelts das Gleichstromkabel von der Stromversorgung.



HINWEIS

Wenn das elektrische Aufstellen nicht funktioniert, stellen Sie das Dachzelt manuell auf (siehe Kapitel „Manuelles Aufstellen des Dachzelts“ auf Seite 14).

- Gehen Sie wie gezeigt vor (Abb. **5**, Seite 4 bis Abb. **10**, Seite 5 und Abb. **17**, Seite 7).

Manuelles Aufstellen des Dachzelts



WARNUNG! Verletzungsgefahr

Versuchen Sie nicht, die Stangen auszutauschen, während das Dachzelt auf dem Fahrzeugdach montiert ist.



ACHTUNG! Materialschaden

Versuchen Sie nicht, die Ersatzstangen von der Unterseite des Dachzeltes zu entfernen, während das Dachzelt auf dem Fahrzeugdach montiert ist. Dadurch könnte der Autolack des Fahrzeugs beschädigt werden.

1. Wenn das Dachzelt bereits auf dem Dachgepäckträger montiert ist, demontieren Sie zuerst das Dachzelt, indem Sie den Montagevorgang umgekehrt ausführen.
2. Gehen Sie vor wie dargestellt (Abb. **11**, Seite 5 bis Abb. **17**, Seite 7).

Zusammenklappen des Dachzelts



WARNUNG! Verletzungsgefahr

Vergewissern Sie sich, dass sich keine Personen oder Gegenstände im Dachzelt befinden, bevor Sie das Dachzelt zusammenklappen.



ACHTUNG! Materialschaden

- Stellen Sie beim Zusammenklappen und Abdecken des Dachzelts sicher, dass das Dachzelt trocken ist.
- Wenn sich im Rahmen Wasser befindet, stellen Sie ihn auf, um das Wasser abzulassen.

- Führen Sie den Aufbauvorgang in umgekehrter Reihenfolge durch.

Lagerung des Dachzelts

Lagerung auf dem Dach eines Fahrzeugs



WARNUNG! Verletzungsgefahr

- Lagern Sie das Dachzelt zur Sicherheit anderer Verkehrsteilnehmer und zur Kraftstoffeinsparung nur während einer Reise auf dem Dach eines Fahrzeugs.
- Nehmen Sie das Dachzelt bei längerem Nichtgebrauch ab und lagern Sie es gemäß Kapitel „Lagerung über einen längeren Zeitraum“ auf Seite 14.
- Beachten Sie die Sicherheitshinweise für den Transport des Dachzelts auf dem Dach eines Fahrzeugs (siehe Kapitel „Sicherheit beim Transport des Dachzelts auf dem Dach eines Fahrzeugs“ auf Seite 12).

1. Klappen Sie das Dachzelt zusammen (siehe Kapitel „Zusammenklappen des Dachzelts“ auf Seite 14).
2. Verstauen Sie die Leiter auf dem zusammengeklappten Dachzelt (Abb. **18**, Seite 7).
3. Legen Sie die Zeltplane über das zusammengeklappte Dachzelt und ziehen Sie die elastischen Bänder der Zeltplane fest.

Lagerung über einen längeren Zeitraum

1. Demontieren Sie das Dachzelt vom Dachgepäckträger.
2. Reinigen Sie das Dachzelt bei Bedarf (siehe Kapitel „Reinigung und Pflege“ auf Seite 14.)
3. Stellen Sie sicher, dass das Dachzelt vollständig trocken ist, bevor Sie es verstauen.
4. Lagern Sie es an einem gut belüfteten, trockenen Ort.

Reinigung und Pflege



WARNUNG! Verletzungsgefahr

Reinigen und pflegen Sie das Dachzelt nur auf dem Boden. Reinigen Sie das Dachzelt niemals auf dem Fahrzeug und während es auf dem Dach montiert ist.



ACHTUNG! Materialschaden

- Verwenden Sie zur Reinigung keine scharfen oder harten Gegenstände oder Reinigungsmittel.
- Verwenden Sie zur Reinigung keine Materialien auf Alkohobasis, Chemikalien, Seife und Reinigungsmittel.
- Entfernen Sie Vogelkot und Baumharz so schnell wie möglich, um dauerhafte Schäden am Material zu vermeiden.



HINWEIS

- Bauen Sie das Dachzelt zur Reinigung vollständig auf.
- Wählen Sie einen sonnigen Tag für die Reinigung, um sicherzustellen, dass das Material gründlich trocknet.

- Reinigen Sie das Produkt bei Bedarf mit sauberem, lauwarmem Wasser und einer weichen Bürste.
- Tragen Sie vor jeder Reise eine Imprägnierung gegen Wasser und UV-Strahlung auf.
- Pflegen Sie Nähte und Reißverschlüsse mit geeigneten Pflegemitteln.
- Halten Sie die motorisierten Schubstangen sauber, indem Sie sie mit einem sauberen, trockenen Tuch abwischen.

Fehlersuche und Fehlerbehebung



HINWEIS

- Beim ersten Kontakt mit Wasser kann sich an den Nähten etwas Feuchtigkeit bilden. Durch diese Feuchtigkeit quellen die Fäden auf und füllen die Löcher, die beim Nähen entstehen.
- Ein vollständig ausgestattetes Ersatzteilset enthält:
 - Imprägniermittel
 - Reparaturband und Reparaturlösung
 - Silikonspray für die Reißverschlüsse
 - Ersatzheringe

| Problem | Lösung |
|---|--|
| Wasserleck | <ul style="list-style-type: none"> ▶ Prüfen Sie das Vorzelt auf undichte Nähte, beschädigte Anschlüsse und feuchte Bereiche. ▶ Wenn Sie keine undichten Stellen finden, siehe Kapitel „Kondenswasserbildung“ auf Seite 15. ▶ Wenn Sie eine undichte Stelle finden, tragen Sie Nahtdichtungsmittel auf. |
| Riss im Gewebe | <ul style="list-style-type: none"> ▶ Reparieren Sie das Loch mit Reparaturband. ▶ Lassen Sie Reparaturen von autorisiertem Fachpersonal durchführen. |
| Motor oder Fernbedienung funktioniert nicht | <ul style="list-style-type: none"> ▶ Verwenden Sie die Ersatzstangen für das manuelle Aufstellen (siehe Kapitel „Manuelles Aufstellen des Dachzelts“ auf Seite 14). ▶ Lassen Sie Reparaturen am Elektromotor oder an den motorisierten Schubstangen von einem autorisierten Fachmann durchführen. ▶ Wechseln Sie die Batterie in der Fernbedienung. |
| Leiterhaken sind verschlissen oder gebrochen | <ul style="list-style-type: none"> ▶ Wenden Sie sich zum Austausch an den Hersteller. |
| Geräusche beim Aufstellen und Zusammenklappen des Dachzelts | <ul style="list-style-type: none"> ▶ Überprüfen Sie die Stangen und die Gelenke. ▶ Lassen Sie Reparaturen von autorisiertem Fachpersonal durchführen. |

Kondenswasserbildung

Bei allen Zelten bildet sich Kondenswasser im Innenraum, wenn eine oder mehrere der folgenden Bedingungen zutreffen:

- hohe Luftfeuchtigkeit
- ein Abfall der Temperatur

Bei starker Kondenswasserbildung kann dieses an der Innenseite des Daches herunterlaufen und von Schnüren, Bändern und anderen Innenelementen herunter tropfen; dies kann mit einer undichten Stelle verwechselt werden.

- ▶ Sorgen Sie für eine bessere Belüftung durch Öffnen von Türen und/oder Fenstern.

Entsorgung

- ▶ Geben Sie das Verpackungsmaterial möglichst in den entsprechenden Recycling-Müll.



Wenn Sie das Produkt endgültig außer Betrieb nehmen, informieren Sie sich bitte beim nächsten Recyclingcenter oder bei Ihrem Fachhändler über die zutreffenden Entsorgungsvorschriften.

Gewährleistung

Es gilt die gesetzliche Gewährleistungsfrist. Sollte das Produkt defekt sein, wenden Sie sich bitte an Ihren Fachhändler oder an die Niederlassung des Herstellers in Ihrem Land (siehe dometic.com/dealer).

Bitte senden Sie bei einem Reparatur- bzw. Garantieantrag folgende Unterlagen mit dem Produkt ein:

- eine Kopie der Rechnung mit Kaufdatum,
- einen Reklamationsgrund oder eine Fehlerbeschreibung.

Die Garantie deckt Herstellungsfehler, Materialien und Teile ab. Die Garantie erstreckt sich nicht auf das Ausbleichen des Bezugs und die Abnutzung durch UV-Strahlung, fehlerhafte Verwendung, versehentliche Beschädigung, Sturmschäden, eine Nutzung auf Dauer- und Saisonstellplätzen oder eine kommerzielle Nutzung. Sie deckt keine daraus resultierenden Schäden ab. Bitte wenden Sie sich an Ihren Händler, um Ansprüche geltend zu machen. Dies beeinflusst nicht Ihre gesetzlichen Rechte.

Technische Daten

| | TRT120E |
|------------------------------------|---|
| Anschlussspannung: | 12 Volt Gleichstrom |
| Leistungsaufnahme: | 20 W |
| Minimale Steckdosenleistung: | 10 A |
| Fernbedienungsfrequenz: | 433 MHz |
| Tiefe der Schaumstoffmatratze: | 5 cm |
| Abmessungen Innenzelt (B x H x T): | 120 x 100 x 200 cm |
| Abmessungen Außenzelt (B x H x T): | 132 x 115 x 218 cm |
| Packstückgröße (B x H x T): | 144 x 32 x 229 cm |
| Gewicht (inkl. Leiter): | 53 kg |
| Konformitätserklärung: |   |

Veillez lire et suivre attentivement l'ensemble des instructions, directives et avertissements figurant dans ce manuel afin de vous assurer que vous installez, utilisez et entretenez le produit correctement à tout moment. Ces instructions DOIVENT rester avec ce produit.

En utilisant le produit, vous confirmez par la présente que vous avez lu attentivement l'ensemble des instructions, directives et avertissements et que vous comprenez et acceptez de respecter les modalités et conditions énoncées dans le présent document. Vous acceptez d'utiliser ce produit uniquement pour l'usage et l'application prévus et conformément aux instructions, directives et avertissements figurant dans le manuel du produit, ainsi qu'à toutes les lois et réglementations applicables. Si vous ne lisez et ne respectez pas les instructions et les avertissements figurant dans ce manuel, vous risquez de vous blesser ou de blesser d'autres personnes, d'endommager votre produit ou d'endommager d'autres biens à proximité. Le présent manuel produit, y compris les instructions, directives et avertissements, ainsi que la documentation associée peuvent faire l'objet de modifications et de mises à jour. Pour obtenir des informations actualisées sur le produit, rendez-vous sur dometic.com.



DANGER !

Consignes de sécurité : Le non-respect des présentes instructions entraîne des blessures graves, voire mortelles.



AVERTISSEMENT !

Consignes de sécurité : Le non-respect des présentes instructions peut entraîner des blessures graves, voire mortelles.



AVIS !

Le non respect de ces instructions peut causer des dommages matériels et affecter le fonctionnement du produit.



REMARQUE

Informations complémentaires sur l'utilisation de ce produit.

Consignes générales de sécurité



DANGER ! Le non-respect des présentes instructions peut entraîner des blessures graves, voire mortelles. Risque d'empoisonnement au monoxyde de carbone

- N'utilisez jamais d'appareil à combustible comme un barbecue ou un chauffage au gaz à l'intérieur de la tente de toit. Le processus de combustion produit du monoxyde de carbone qui s'accumule à l'intérieur de la tente car il n'y a pas de conduit de fumée.



AVERTISSEMENT ! Le non-respect de ces mises en garde peut entraîner des blessures graves, voire mortelles.

Risque d'incendie

- Assurez-vous de connaître les dispositions en matière de prévention des incendies sur le site.
- Ne cuisinez pas dans la tente de toit et n'utilisez pas de flammes nues.

Risque d'étouffement

- Veillez à ce que les ouvertures de ventilation soient ouvertes en permanence pour éviter toute asphyxie.

Risque de blessure

- Cet appareil n'est pas destiné à être utilisé par des personnes (y compris des enfants) dont les capacités physiques, sensorielles ou mentales sont réduites.
- Ne laissez pas les enfants jouer avec la tente de toit et veillez à ce que la télécommande soit toujours rangée hors de portée des enfants.
- Le nettoyage et la maintenance ne doivent pas être effectués par des enfants sans surveillance.
- Vérifiez toujours les prévisions météorologiques avant de monter et d'utiliser la tente de toit.
 - N'utilisez pas la tente de toit si une tempête ou un orage est annoncé.
 - Si vous êtes surpris par un orage, quittez immédiatement la tente de toit et mettez-vous en sécurité dans votre véhicule. Restez dans votre véhicule jusqu'à la fin de l'orage pour éviter d'être frappé par la foudre.
 - Ne montez pas, n'utilisez pas et ne repliez pas la tente de toit s'il y a beaucoup de vent.
 - Ne repliez pas la tente de toit en cas de forte pluie.



AVIS ! Risque d'endommagement

- Ne modifiez pas et ne tentez pas de réparer le moteur électrique ou les tiges de poussée électriques.
- N'appuyez pas sur la tente de toit lorsqu'elle est repliée.
- Conservez la télécommande au sec.



REMARQUE

- Gardez toujours avec vous les manuels du véhicule et de la galerie de toit et suivez leurs instructions.

Transport sécurisé de la tente de toit sur le toit d'un véhicule



AVERTISSEMENT ! Le non-respect de ces mises en garde peut entraîner des blessures graves, voire mortelles.

Risque de blessure

- Roulez uniquement avec la tente de toit sur le toit de votre véhicule si elle est repliée et correctement protégée par la couverture de tente.
- Ne roulez pas à plus de 110 km/h avec la tente de toit sur le toit de votre véhicule.
- Au début de chaque voyage et à intervalles réguliers au cours des trajets, vérifiez que la tente de toit est solidement attachée à la galerie de toit et que la toile de tente est bien fixée. Assurez-vous toujours que votre tente de toit se trouve dans une position sûre et appropriée.
- Des charges non sécurisées et une galerie de toit ou une tente de toit mal montée peuvent tomber pendant le trajet et blesser d'autres automobilistes.
- Veillez à ranger correctement l'échelle au-dessus de la tente de toit pliée et sous la couverture de tente pour éviter que l'échelle ne tombe et ne blesse d'autres automobilistes pendant le trajet.
- Veillez à adapter votre conduite (par exemple, sensibilité au vent de travers, comportement dans les virages et freinage) pour tenir compte du changement de hauteur du véhicule.
- Le câble d'alimentation CC doit être déconnecté de l'alimentation électrique pendant le trajet.
- Ne montez pas et ne repliez pas la tente de toit lorsque le véhicule est en mouvement.



AVIS ! Risque d'endommagement

- La tente de toit augmente la hauteur du véhicule. Prenez garde aux entrées, ponts, branches d'arbre et autres obstacles bas.
- Retirez la tente de toit et la galerie de toit lorsque vous utilisez un lave-auto automatique.



REMARQUE

- Un bruit de vent peut se faire entendre lorsque vous conduisez avec la tente de toit sur le toit d'un véhicule.

Contenu de la livraison

| Composant | Quantité |
|---|----------|
| Tente de toit pré-assemblée | 1 |
| Échelle télescopique en aluminium | 1 |
| Couverture de tente | 1 |
| Télécommande sans fil | 1 |
| Câble d'alimentation CC | 1 |
| Sac à outils | 1 |
| Écrous en plastique | 8 |
| Boulon M8 x 50 | 8 |
| Rondelle plate M8 | 8 |
| Rondelle fendue M8 | 8 |
| Capuchon de rail | 4 |
| Support en U | 4 |
| Arceau de rechange pour l'installation manuelle | 2 |
| Clé hexagonale en L | 2 |
| Tournevis | 1 |

Usage conforme

Cette tente de toit est adaptée à ce qui suit :

- montage sur une galerie adaptée installée sur le toit d'un véhicule
- Intempéries légères à modérées
- Excursions

Cette tente de toit n'est **pas** adaptée à ce qui suit :

- utilisation par des personnes aux capacités physiques, sensorielles ou mentales réduites
- Vents très forts ou chutes de neige
- Emplacement saisonnier ou usage commercial

Ce produit convient uniquement à l'usage et à l'application prévus, conformément au présent manuel d'instructions.

Ce manuel fournit les informations nécessaires à l'installation et/ou à l'utilisation correcte du produit. Une installation, une utilisation ou un entretien inappropriés entraînera des performances insatisfaisantes et une éventuelle défaillance.

Le fabricant décline toute responsabilité en cas de blessure ou de dommage résultant :

- d'un montage ou d'un raccordement incorrect, y compris d'une surtension
- d'un entretien inadapté ou de l'utilisation de pièces de rechange autres que les pièces de rechange d'origine fournies par le fabricant
- des modifications apportées au produit sans autorisation explicite du fabricant ;
- des usages différents de ceux décrits dans le manuel.

Dometic se réserve le droit de modifier l'apparence et les spécifications produit.

Les équipements radio de l'appareil sont conformes aux exigences de la directive 2014/53/UE. Vous trouverez la déclaration de conformité de l'appareil sur documents.dometic.com.

Description technique

Cette tente de toit est équipée d'un moteur électrique et d'une télécommande sans fil pour le montage et le démontage. Le moteur électrique est équipé d'une protection contre les surchauffes.

La tente de toit peut également être montée manuellement, à l'aide des piquets de rechange fournis.

La tente de toit comprend un matelas en mousse haute densité.

Pour le transport sur le toit d'un véhicule, la tente de toit peut être repliée et recouverte avec la toile de tente fournie.

Éléments de commande

| N° sur la fig. 1, page 3 | Description | Explication |
|--------------------------|-------------|--|
| 1 | Touche UP | Met en place la tente de toit. |
| 2 | Touche DOWN | Replie la tente de toit. |
| 3 | Touche STOP | Arrête le processus de mise en place et de pliage. |

Utilisation de la tente de toit



AVERTISSEMENT ! Risque de blessure

- Assurez-vous que la tente de toit est fermement fixée à la galerie avant de monter sur l'échelle.
- Assurez-vous que l'échelle est fermement accrochée au cadre de base de la tente de toit avant d'entrer ou de sortir de la tente de toit.
- Montez toujours sur l'échelle avec précaution.
- Fermez la porte d'entrée de la tente de toit avant de vous coucher pour éviter de tomber de la tente de toit pendant votre sommeil.
- Utilisez uniquement la télécommande pour contrôler la tente de toit depuis le sol.



AVIS ! Risque d'endommagement

Laissez les fenêtres latérales ouvertes lorsque vous montez ou repliez la tente de toit.

Avant la première utilisation

Familiarisez-vous avec le produit en effectuant un test de mise en place avant la première utilisation du produit. Vérifiez si l'étendue de la livraison est complète.

Montage de la tente de toit



AVERTISSEMENT ! Risque de blessure

- Assurez-vous qu'aucune autre personne, en particulier des enfants, ne se trouve à proximité lorsque vous et votre assistant levez la tente de toit pour l'installer sur le toit du véhicule.
- Levez la tente de toit pour la placer sur le toit de votre véhicule avec une autre personne compétente pour éviter que la tente de toit ne tombe.
- Montez la tente de toit parallèlement à la route et non en angle pour éviter de créer une force de levage excessive.
- Fixez tous les boulons de manière à ce qu'ils soient suffisamment serrés.

Montage pour le déploiement électrique

- Procédez comme indiqué (fig. 2, page 3 - fig. 4, page 3).

Montage pour le déploiement manuel

- Voir chapitre « Déploiement électrique de la tente de toit », page 18.

Déploiement de la tente de toit

Déploiement électrique de la tente de toit



AVERTISSEMENT ! Risque de blessure

Débranchez le câble d'alimentation CC de l'alimentation électrique après avoir déployé la tente de toit.



REMARQUE

Si l'installation électrique ne fonctionne pas, installez la tente de toit manuellement (voir chapitre « Déploiement électrique de la tente de toit », page 18).

- Procédez comme indiqué (fig. 5, page 4 – fig. 10, page 5 et fig. 17, page 7).

Déploiement électrique de la tente de toit



AVERTISSEMENT ! Risque de blessure

N'essayez pas de changer les arceaux lorsque la tente de toit est montée sur le toit du véhicule.



AVIS ! Dommages matériels

N'essayez pas de retirer les arceaux de rechange sous la tente de toit lorsqu'elle est montée sur le toit du véhicule. Cela pourrait endommager la peinture du véhicule.

1. Si la tente de toit est déjà montée sur la galerie, démontez d'abord la tente de toit en inversant la procédure de montage.
2. Procédez comme indiqué (fig. 11, page 5 - fig. 17, page 7).

Pliage de la tente de toit



AVERTISSEMENT ! Risque de blessure

Assurez-vous qu'aucune personne ou objet ne se trouve dans la tente de toit avant de la replier.



AVIS ! Dommages matériels

- Lorsque vous repliez et couvrez la tente de toit, assurez-vous qu'elle est sèche.
- Si l'armature contient de l'eau, positionnez-la de manière à ce qu'elle puisse s'écouler.

- Inversez la procédure de mise en place.

Stockage de la tente de toit

Stockage sur le toit d'un véhicule



AVERTISSEMENT ! Risque de blessure

- Pour la sécurité des autres usagers de la route et pour des raisons d'économie de carburant, rangez uniquement la tente de toit sur le toit d'un véhicule pendant un trajet.
- Retirez la tente de toit lorsque vous ne l'utilisez pas pendant une période prolongée et rangez-la conformément à chapitre « Stockage pour une période prolongée », page 18.
- Respectez les consignes de sécurité pour le transport de la tente de toit sur le toit d'un véhicule (voir chapitre « Transport sécurisé de la tente de toit sur le toit d'un véhicule », page 16).

1. Pliez la tente de toit (voir chapitre « Pliage de la tente de toit », page 18).
2. Rangez l'échelle sur la tente de toit pliée (fig. 18, page 7).
3. Placez la couverture de tente sur la tente de toit pliée et fixez fermement les sangles souples de la couverture de tente.

Stockage pour une période prolongée

1. Démontez la tente de toit de la galerie du véhicule.
2. Si nécessaire, nettoyez la tente de toit (voir chapitre « Nettoyage et entretien », page 18.)
3. Assurez-vous que la tente de toit est complètement sèche avant de la ranger.
4. Conservez dans un lieu sec et bien ventilé.

Nettoyage et entretien



AVERTISSEMENT ! Risque de blessure

Nettoyez et entretenez uniquement la tente de toit au sol. Ne montez jamais sur le véhicule pour nettoyer la tente de toit lorsqu'elle est montée sur le toit.



AVIS ! Dommages matériels

- N'utilisez pas d'objets pointus ou durs ni de produits de nettoyage pour le nettoyage.
- N'utilisez pas de matériaux à base d'alcool, de produits chimiques, de savon et de détergents pour le nettoyage.
- Enlevez les fientes d'oiseaux et la résine des arbres dès que possible pour éviter d'endommager le matériau de façon permanente.



REMARQUE

- Montez entièrement la tente de toit pour la nettoyer.
- Choisissez une journée ensoleillée pour le nettoyage afin que le matériel sèche complètement.

- Si nécessaire, nettoyez le produit avec de l'eau tiède et propre et une brosse souple.
- Appliquez un imperméabilisant pour protéger le produit des tâches d'eau et des rayons UV avant chaque voyage.
- Entretenez les coutures et les fermetures éclair avec des produits d'entretien appropriés.
- Maintenez les tiges de poussée motorisées propres en les essuyant avec un chiffon propre et sec.

Dépannage



REMARQUE

- Lors de la première exposition à l'eau, il peut y avoir un peu d'humidité au niveau des coutures. Grâce à cette humidité, les fils vont gonfler et remplir les trous créés lors du processus de couture.
- Un kit de pièces de rechange entièrement équipé devrait contenir :
 - Produit d'imperméabilisation
 - Ruban de réparation et solution de réparation
 - Spray silicone pour les fermetures éclair
 - Ancrages de rechange

| Problème | Solution |
|---|--|
| Fuite d'eau | <ul style="list-style-type: none"> ▶ Vérifiez si les coutures ne fuient pas, si les rubans ne sont pas endommagés et s'il n'y a pas de zones humides. ▶ Si vous ne trouvez pas de fuites, consultez le chapitre « Condensation », page 19. ▶ Si vous trouvez des fuites, appliquez un produit d'étanchéité pour les coutures. |
| Déchirure dans le tissu | <ul style="list-style-type: none"> ▶ Utilisez du ruban de réparation pour étancher le tissu. ▶ Faites effectuer les réparations par un spécialiste autorisé. |
| Le moteur ou la télécommande ne fonctionne pas | <ul style="list-style-type: none"> ▶ Utilisez les arceaux de rechange pour le montage manuel (voir chapitre « Déploiement électrique de la tente de toit », page 18). ▶ Faites réparer le moteur électrique ou les barres de poussée motorisées par un spécialiste agréé. ▶ Remplacez les piles de la télécommande. |
| Les crochets de l'échelle sont usés ou cassés | <ul style="list-style-type: none"> ▶ Contactez le fabricant pour les remplacer. |
| Bruit lors du déploiement ou du repli de la tente de toit | <ul style="list-style-type: none"> ▶ Inspectez les arceaux et les joints. ▶ Faites effectuer les réparations par un spécialiste autorisé. |

Condensation

Toutes les tentes souffrent de condensation interne si une ou plusieurs des conditions suivantes s'appliquent :

- Humidité de l'air élevée
- Baisse de température

Une forte condensation peut s'écouler à l'intérieur du toit et s'égoutter des attaches, des rubans et autres accessoires internes et peut être confondue avec une fuite.

- ▶ Augmentez la ventilation en ouvrant les portes et/ou les fenêtres.

Mise au rebut

- ▶ Jetez les emballages dans les conteneurs de déchets recyclables prévus à cet effet.



Lorsque vous mettez votre produit définitivement hors service, informez-vous auprès du centre de recyclage le plus proche ou auprès de votre revendeur spécialisé sur les prescriptions relatives au retraitement des déchets.

Garantie



La période de garantie légale s'applique. Si le produit est défectueux, veuillez contacter votre revendeur ou la filiale locale du fabricant (voir dometic.com/dealer).

Pour toutes réparations ou autres prestations de garantie, veuillez joindre à l'appareil les documents suivants :

- une copie de la facture avec la date d'achat
- un motif pour la réclamation ou une description du dysfonctionnement

La garantie couvre les défauts de fabrication, les matériaux et les pièces. La garantie ne couvre pas la décoloration de la couverture et l'usure et les déchirures dues aux rayons UV, à une mauvaise utilisation, des dommages accidentels, des dommages dus aux tempêtes ou une utilisation permanente, semi-permanente ou commerciale. Elle ne couvre pas les dommages qui en résultent. Veuillez contacter votre revendeur pour toute réclamation. Ceci n'affecte pas vos droits statutaires.

Caractéristiques techniques

| | TRT120E |
|---|---|
| Tension de raccordement : | 12 V CC |
| Consommation électrique : | 20 W |
| Puissance minimale de la prise : | 10 A |
| Fréquence de la télécommande : | 433 MHz |
| Profondeur du matelas en mousse : | 5 cm |
| Dimensions internes de la tente (l x H x P) : | 120 x 100 x 200 cm |
| Dimensions externes de la tente (l x H x P) : | 132 x 115 x 218 cm |
| Dimensions de stockage (l x h x p) : | 144 x 32 x 229 cm |
| Poids (y compris l'échelle) : | 53 kg |
| Conformité : |   |

Lea atentamente estas instrucciones y siga las indicaciones, directrices y advertencias incluidas en este manual para asegurarse de que instala, utiliza y mantiene correctamente el producto en todo momento. Estas instrucciones DEBEN permanecer con este producto.

Al utilizar el producto, usted confirma que ha leído cuidadosamente todas las instrucciones, directrices y advertencias, y que entiende y acepta cumplir los términos y condiciones aquí establecidos. Usted se compromete a utilizar este producto solo para el propósito y la aplicación previstos y de acuerdo con las instrucciones, directrices y advertencias establecidas en este manual del producto, así como de acuerdo con todas las leyes y reglamentos aplicables. La no lectura y observación de las instrucciones y advertencias aquí expuestas puede causar lesiones a usted o a terceros, daños en el producto o daños en otras propiedades cercanas. Este manual del producto, incluyendo las instrucciones, directrices y advertencias, y la documentación relacionada, pueden estar sujetos a cambios y actualizaciones. Para obtener información actualizada sobre el producto, visite la página dometic.com.



¡PELIGRO!

Indicación de seguridad: La no observación de esta instrucción puede causar heridas fatales o severas.



¡ADVERTENCIA!

Indicación de seguridad: su incumplimiento puede acarrear la muerte o graves lesiones.



¡AVISO!

La no observación de esta instrucción puede producir daños materiales y perjudicar el funcionamiento del aparato.



NOTA

Información complementaria para el manejo del producto.

Indicaciones generales de seguridad



¡PELIGRO! La no observación de estas normas puede causar heridas fatales o severas.

Peligro de intoxicación por monóxido de carbono

- No utilice nunca en el interior de la tienda de techo aparatos que quemen combustible, como barbacoas o calentadores de gas. El proceso de combustión produce monóxido de carbono que se acumula en el interior de la tienda, ya que no hay chimenea.



¡ADVERTENCIA! El incumplimiento de estas advertencias podría acarrear la muerte o lesiones graves.

Peligro de incendio

- Asegúrese de conocer las medidas de precaución contra incendios en el lugar.
- No cocine ni encienda fuego en el interior de la tienda de techo.

Peligro de asfixia

- Asegúrese de que las aberturas de ventilación estén abiertas todo el tiempo para evitar asfixias.

Peligro de lesiones

- Este aparato no está diseñado para ser utilizado por personas (incluidos los niños) con capacidades físicas, sensoriales o mentales reducidas.
- No permita que los niños jueguen con la tienda de techo y asegúrese de dejar el control remoto fuera del alcance de los niños en todo momento.
- Los niños no deberán realizar tareas de limpieza y mantenimiento.
- Consulte siempre la previsión meteorológica antes de montar y utilizar la tienda de techo.
 - No utilice la tienda de techo si hay previsión de tormenta o temporal.
 - Si le sorprende una tormenta eléctrica, abandone inmediatamente la tienda de techo y póngase a salvo en su vehículo. Permanezca en su vehículo hasta que la tormenta eléctrica haya pasado para evitar el impacto de los rayos.
 - No monte, utilice ni pliegue la tienda de techo si hace mucho viento.
 - No pliegue la tienda de techo bajo una lluvia intensa.



¡AVISO! Peligro de daños

- No modifique ni intente reparar el motor eléctrico ni las varillas de empuje motorizadas.
- No presione la tienda de techo cuando esté plegada.
- No deje que el control remoto se moje.



NOTA

- Lleve siempre consigo los manuales del vehículo y del portaequipajes y siga sus instrucciones.

Seguridad al transportar la tienda de techo encima de un vehículo



¡ADVERTENCIA! El incumplimiento de estas advertencias podría acarrear la muerte o lesiones graves.

Peligro de lesiones

- Cuando conduzca con la tienda de techo instalada en su vehículo, hágalo siempre con la tienda plegada y correctamente cubierta con su funda.
- No conduzca a más de 110 km/h con la tienda instalada en el techo de su vehículo.
- Antes de salir de viaje y a intervalos regulares durante cada trayecto, compruebe que la tienda de techo esté firmemente sujeta al portaequipajes y que la funda esté asegurada. Asegúrese de que la tienda de techo esté siempre en un lugar seguro y apropiado.
- Una carga no asegurada y un portaequipajes o una tienda de techo mal instalados pueden desprenderse durante un desplazamiento y causar heridas a otros usuarios de la carretera.
- Asegúrese de guardar la escalera correctamente en la parte superior de la tienda de techo plegada y por debajo de la funda para evitar que caiga y dañe a otros usuarios de la carretera durante el viaje.
- Asegúrese de adaptar su comportamiento de conducción (por ejemplo, la sensibilidad al viento cruzado, el comportamiento en las curvas y el frenado) para ajustarse al cambio de altura del vehículo.
- El cable de corriente continua debe estar desconectado de la fuente de alimentación durante el viaje.
- No monte ni pliegue la tienda de techo mientras el vehículo esté en movimiento.



¡AVISO! Peligro de daños

- La tienda de techo aumenta la altura del vehículo. Tenga cuidado con las entradas, puentes y ramas de poca altura y otros obstáculos.
- Retire la tienda de techo y el portaequipajes cuando utilice una estación de lavado automático.



NOTA

- Puede generarse un ruido de viento al conducir con la tienda de techo instalada en el vehículo.

Volumen de entrega

| Componente | Cantidad |
|---|----------|
| Tienda de techo premontada | 1 |
| Escalera telescópica de aluminio | 1 |
| Funda de tienda | 1 |
| Control remoto inalámbrico | 1 |
| Cable de alimentación CC | 1 |
| Bolsa de herramientas | 1 |
| Tuercas de plástico | 8 |
| Tornillo hexagonal M8 x 50 | 8 |
| Arandela plana M8 | 8 |
| Arandela hendida M8 | 8 |
| Tapa de carril | 4 |
| Soporte en U | 4 |
| Tubo de repuesto para el montaje manual | 2 |
| Llave hexagonal en L | 2 |
| Destornillador | 1 |

Uso previsto

Esta tienda de techo es adecuada para:

- ser instalada en el portaequipajes del techo de un vehículo apropiado
- clima suave a moderado
- uso itinerante

Esta tienda de techo **no** es adecuada para:

- el uso por parte de personas con capacidades físicas, sensoriales o mentales reducidas
- vientos muy fuertes o nevadas
- acampada estacional o uso comercial

Este producto solo es apto para el uso previsto y la aplicación de acuerdo con estas instrucciones.

Este manual proporciona la información necesaria para la correcta instalación y/o funcionamiento del producto. Una instalación deficiente y/o un uso y mantenimiento inadecuados conllevan un rendimiento insatisfactorio y posibles fallos.

El fabricante no se hace responsable de ninguna lesión o daño en el producto ocasionados por:

- Un montaje o conexión incorrectos, incluido un exceso de tensión
- Un mantenimiento incorrecto o el uso de piezas de repuesto distintas de las originales proporcionadas por el fabricante
- Modificaciones realizadas en el producto sin el expreso consentimiento del fabricante
- Uso con una finalidad distinta de la descrita en las instrucciones

Dometic se reserva el derecho de cambiar la apariencia y las especificaciones del producto.

El equipo de radio del aparato cumple con los requisitos de la directiva 2014/53/UE. Encontrará la declaración de conformidad del aparato en documents.dometic.com.

Descripción técnica

Esta tienda de techo está equipada con un motor eléctrico y un control remoto inalámbrico para su montaje y plegado. El motor eléctrico dispone de una protección contra el sobrecalentamiento.

La tienda de techo también puede montarse manualmente utilizando los tubos de repuesto suministrados.

La tienda de techo incluye un colchón de espuma de alta densidad.

La tienda de techo se puede plegar y cubrir con la funda suministrada para su transporte en el techo de un vehículo.

Elementos de control

| N.º en fig. 1, página 3 | Descripción | Explicación |
|-------------------------|-------------|--|
| 1 | Botón UP | Monta la tienda de techo. |
| 2 | Botón DOWN | Pliega la tienda de techo. |
| 3 | Botón STOP | Detiene el proceso de montaje y plegado. |

Utilización de la tienda de techo



¡ADVERTENCIA! Peligro de lesiones

- Asegúrese de que la tienda de techo esté firmemente sujeta al portaequipajes antes de utilizar la escalera.
- Asegúrese de que la escalera esté firmemente sujeta al marco base de la tienda de techo antes de entrar o salir de ella.
- Utilice siempre la escalera con precaución.
- Cierre la puerta de entrada de la tienda de techo antes de irse a dormir para evitar caídas durante el sueño.
- Cuando utilice el control remoto para accionar la tienda de campaña, hágalo siempre desde el suelo.



¡AVISO! Peligro de daños

Deje las ventanas laterales abiertas mientras monta o pliega la tienda de campaña.

Antes del primer uso

Familiarícese con el producto realizando una prueba antes del primer uso. Compruebe si el volumen de entrega está completo.

Instalación de la tienda de techo



¡ADVERTENCIA! Peligro de lesiones

- Asegúrese de que no haya otras personas, especialmente niños, cerca del vehículo cuando usted y su ayudante eleven la tienda de campaña para colocarla en el techo del vehículo.
- Para evitar que la tienda se caiga, eleve la tienda por encima del techo del vehículo con la ayuda de otra persona capacitada para ello.
- Instale la tienda de techo en sentido paralelo a la dirección de la carretera y no en ángulo para evitar crear una fuerza de elevación excesiva.
- Fije todos los tornillos de manera que queden bien asegurados.

Instalación para el funcionamiento eléctrico

- Proceda tal como se indica (fig. 2, página 3 – fig. 4, página 3).

Instalación para el montaje manual

- Véase capítulo “Montaje manual de la tienda de techo” en la página 22.

Montaje de la tienda de techo

Montaje eléctrico de la tienda de techo



¡ADVERTENCIA! Peligro de lesiones

Cuando la tienda de techo esté montada, desconecte de la fuente de alimentación el cable de corriente continua.



NOTA

Si el montaje eléctrico no funciona, monte la carpa de techo manualmente (véase capítulo "Montaje manual de la tienda de techo" en la página 22).

- Proceda como se muestra (fig. 5, página 4 – fig. 10, página 5 y fig. 17, página 7).

Montaje manual de la tienda de techo



¡ADVERTENCIA! Peligro de lesiones

No intente cambiar los tubos cuando la tienda de techo esté instalada en el techo del vehículo.



¡AVISO! Peligro de daños materiales

No intente retirar los tubos de repuesto de la parte inferior cuando la tienda del techo esté instalada en el techo del vehículo. Esto podría dañar la pintura del vehículo.

1. Si la tienda de techo ya está instalada en el portaequipajes, desinstálela invirtiendo el procedimiento de instalación.
2. Proceda tal como se indica (fig. 11, página 5 – fig. 17, página 7).

Plegado de la tienda de techo



¡ADVERTENCIA! Peligro de lesiones

Asegúrese de que no haya personas ni objetos en la tienda de techo antes de plegarla.



¡AVISO! Peligro de daños materiales

- Asegúrese de que la tienda de techo esté seca cuando la pliegue y la cubra con la funda.
- Si el marco base contiene agua, móntelo para que salga el agua.

- Invierta el procedimiento de instalación.

Almacenamiento de la tienda de techo

Almacenamiento en el techo de un vehículo



¡ADVERTENCIA! Peligro de lesiones

- Por la seguridad del resto de usuarios de la carretera y por razones de ahorro de combustible, guarde la tienda de techo en el techo del vehículo solo durante los desplazamientos.
- Retire la tienda de techo si no la va a utilizar durante un periodo de tiempo prolongado y guárdela como se indica en el capítulo "Almacenamiento durante un periodo de tiempo prolongado" en la página 22.
- Tenga en cuenta las indicaciones de seguridad cuando transporte la tienda de techo en el techo de un vehículo (véase capítulo "Seguridad al transportar la tienda de techo encima de un vehículo" en la página 20).

1. Pliegue la tienda de techo (véase capítulo "Plegado de la tienda de techo" en la página 22).
2. Guarde la escalera sobre la tienda de techo plegada (fig. 13, página 7).
3. Coloque la funda en la tienda de techo plegada y cierre firmemente las correas blandas de la funda.

Almacenamiento durante un periodo de tiempo prolongado

1. Desinstale la tienda de techo del portaequipajes.
2. Si es necesario, limpie la tienda de techo (véase capítulo "Limpieza y mantenimiento" en la página 22.)
3. Asegúrese de que la tienda de techo esté completamente seca antes de guardarla.
4. Guárdela en un lugar seco y bien ventilado.

Limpieza y mantenimiento



¡ADVERTENCIA! Peligro de lesiones

Limpie y realice el mantenimiento de la tienda de techo solamente en el suelo. No se suba al vehículo para limpiar la tienda de techo cuando esta esté instalada el techo.



¡AVISO! Peligro de daños materiales

- Para limpiar, no utilice objetos afilados o duros ni productos de limpieza.
- No utilice materiales a base de alcohol, productos químicos, jabón y detergentes para la limpieza.
- Retire los excrementos de los pájaros y la resina de los árboles lo antes posible para evitar daños permanentes en el material.



NOTA

- Monte completamente la tienda de techo para limpiarla.
- Elija un día soleado para la limpieza para asegurarse de que el material se secará completamente.

- Si es necesario, limpie el producto con agua tibia limpia y un cepillo suave.
- Aplique un impermeabilizante contra las manchas de agua y la radiación ultravioleta antes de cada viaje.
- Cuide las costuras y las cremalleras con productos de mantenimiento adecuados.
- Mantenga limpias las varillas de empuje motorizadas pasándoles un paño limpio y seco.

Solución de problemas



NOTA

- Durante la primera exposición al agua puede haber algo de humedad en las costuras. A través de esta humedad, los hilos se hinchan y llenan los agujeros que se crean en el proceso de costura.
- Un kit de repuestos completamente equipado contiene:
 - impermeabilizante
 - cinta de reparación y solución de reparación
 - spray de silicona para las cremalleras
 - piquetas de repuesto

| Problema | Solución |
|---|--|
| Filtración de agua | <ul style="list-style-type: none"> ➤ Compruebe si hay costuras con filtraciones, cintas dañadas y zonas húmedas. ➤ Si no encuentra ninguna filtración, vea capítulo "Condensación" en la página 23. ➤ Si encuentra alguna filtración, aplique un sellador de costuras. |
| Rasgadura en la tela | <ul style="list-style-type: none"> ➤ Utilice cinta reparadora para sellar la tela. ➤ Las reparaciones deben ser realizadas por un especialista autorizado. |
| El motor o el control remoto no funcionan | <ul style="list-style-type: none"> ➤ Utilice los tubos de repuesto para el montaje manual (véase capítulo "Montaje manual de la tienda de techo" en la página 22). ➤ Encargue la reparación del motor eléctrico o de las varillas de empuje motorizadas a un especialista autorizado. ➤ Cambie la batería del control remoto. |

| Problema | Solución |
|--|--|
| Los ganchos de la escalera están desgastados o rotos | ► Póngase en contacto con el fabricante para su sustitución. |
| Ruido al montar o plegar la tienda de techo | ► Inspeccione los tubos y las juntas. ► Las reparaciones deben ser realizadas por un especialista autorizado. |

Condensación

En una tienda puede producirse condensación interna si se dan una o más de las siguientes condiciones:

- alta humedad del aire
- descenso de la temperatura

Si la condensación es severa, el agua puede correr por el interior del techo y gotear desde las uniones, cintas y otros accesorios internos, con lo cual puede ser confundida con una filtración.

- Aumente la ventilación abriendo puertas y/o ventanas.

Gestión de residuos

- Deseche el material de embalaje en el contenedor de reciclaje correspondiente.



Cuando vaya a desechar definitivamente el producto, infórmese en el centro de reciclaje más cercano o en un comercio especializado sobre las normas pertinentes de eliminación de materiales.

Garantía

Se aplica el período de garantía estipulado por la ley. Si el producto está defectuoso, contacte con el punto de venta o con la sucursal del fabricante en su país (visite dometic.com/dealer).



Para tramitar la reparación y la garantía, incluya los siguientes documentos cuando envíe el aparato:

- Una copia de la factura con fecha de compra
- El motivo de la reclamación o una descripción de la avería

La garantía cubre los defectos de fabricación, materiales y piezas. La garantía no cubre el descoloramiento de la lona ni el desgaste debido a la radiación ultravioleta, el mal uso, los daños accidentales, los daños por tormentas o el uso permanente, semipermanente o comercial. No cubre ningún daño resultante. Contacte con su distribuidor para realizar las reclamaciones. Esto no afecta a sus derechos legales.

Datos técnicos

| | TRT120E |
|--|---------|
| Tensión de conexión: | 12 V CC |
| Consumo de energía: | 20 W |
| Potencia mínima de la toma de corriente: | 10 A |
| Frecuencia del control remoto: | 433 MHz |
| Espesor del colchón de espuma: | 5 cm |

| | TRT120E |
|--|---|
| Dimensiones interiores de la tienda (A x H x P): | 120 x 100 x 200 cm |
| Dimensiones exteriores de la tienda (A x H x P): | 132 x 115 x 218 cm |
| Dimensiones del embalaje (A x H x P): | 144 x 32 x 229 cm |
| Peso (incluida la escalera): | 53 kg |
| Conformidad: |   |

Leia atentamente as presentes instruções e siga todas as instruções, orientações e avisos incluídos neste manual, de modo a garantir a correta instalação, utilização e manutenção do produto. É OBRIGATÓRIO manter estas instruções junto com o produto.

Ao utilizar o produto, está a confirmar que leu atentamente todas as instruções, orientações e avisos, e que compreende e aceita cumprir os termos e condições estabelecidos no presente manual. Aceita utilizar este produto exclusivamente para o fim e a aplicação a que se destina e de acordo com as instruções, orientações e avisos estabelecidos neste manual, assim como de acordo com todas as leis e regulamentos aplicáveis. Caso não leia nem siga as instruções e os avisos aqui estabelecidos, poderá sofrer ferimentos pessoais ou causar ferimentos a terceiros e o produto ou outros materiais nas proximidades poderão ficar danificados. Este manual do produto, incluindo as instruções, orientações e avisos, bem como a documentação relacionada, podem estar sujeitos a alterações e atualizações. Para consultar as informações atualizadas do produto, visite dometic.com.



PERIGO!

Indicação de segurança sobre uma situação de perigo que leva à morte ou a ferimentos graves se não for evitada.



AVISO!

Indicação de segurança sobre uma situação de perigo que pode levar à morte ou a ferimentos graves se não for evitada.



NOTA!

Indicação sobre uma situação que leva a danos materiais se não for evitada.



OBSERVAÇÃO

Informações complementares sobre a operação do produto.

Indicações de segurança gerais



PERIGO! O incumprimento destas instruções provocará a morte ou ferimentos graves.

Risco de envenenamento por monóxido de carbono

- Nunca utilize aparelhos de queima de combustível, como grelhadores ou aquecedores a gás, dentro da tenda de tejadilho. O processo de queima produz monóxido de carbono que se acumula no interior da tenda, uma vez que não há chaminé.



AVISO! O incumprimento destes avisos poderá resultar em morte ou ferimentos graves.

Perigo de incêndio

- Certifique-se de que conhece as disposições de prevenção de incêndios em vigor no local.
- Não cozinhe nem utilize chamas abertas no interior da tenda de tejadilho.

Perigo de asfixia

- Assegure-se de que as aberturas de ventilação estão sempre abertas para evitar asfixia.

Perigo de ferimentos

- Este aparelho não se destina a ser utilizado por pessoas (incluindo crianças) com capacidades físicas, sensoriais ou mentais reduzidas.
- Não permita que as crianças brinquem com a tenda de tejadilho e assegure-se de que o controlo remoto está sempre guardado fora do alcance das crianças.
- A limpeza e a manutenção por parte do utilizador não podem ser efetuadas por crianças.
- Informe-se sempre das previsões meteorológicas antes de montar e utilizar a tenda de tejadilho.
 - Não utilize a tenda de tejadilho se estiver anunciada uma tempestade ou trovoadas.
 - Se for apanhado numa trovoadas, saia imediatamente da tenda de tejadilho e ponha-se em segurança no seu veículo. Para evitar ser atingido por raios, mantenha-se no seu veículo até a trovoadas passar.
 - Não monte, utilize ou dobre a tenda de tejadilho se houver muito vento.
 - Não recolha a tenda de tejadilho com chuva forte.



NOTA! Risco de danos

- Não altere nem tente reparar o motor elétrico ou os sistemas de acionamento elétricos.
- Se a tenda de tejadilho estiver recolhida, não a empurre para baixo.
- Mantenha o controlo remoto seco.



OBSERVAÇÃO

- Tenha sempre consigo os manuais do veículo e da barra de tejadilho e siga as respetivas instruções.

Segurança durante o transporte da tenda de tejadilho no tejadilho de um veículo



AVISO! O incumprimento destes avisos poderá resultar em morte ou ferimentos graves.

Perigo de ferimentos

- Conduza com a tenda de tejadilho no tejadilho do seu veículo apenas se a tenda estiver recolhida e corretamente coberta com a cobertura de tenda.
- Não circule a mais de 110 km/h com a tenda de tejadilho no tejadilho do seu veículo.
- No início de cada viagem e em intervalos regulares durante a viagem, verifique se a tenda de tejadilho está bem fixada à barra de tejadilho e se a cobertura de tenda está presa em segurança. Certifique-se sempre de que a sua tenda de tejadilho está num local seguro e adequado.
- Cargas soltas e uma barra ou tenda de tejadilho mal montadas podem soltar-se durante a viagem e ferir outros utentes da estrada em caso de queda.
- Certifique-se de que armazena corretamente a escada por cima da tenda de tejadilho recolhida e por baixo da cobertura de tenda para evitar que a escada caia e fira outros utentes da estrada durante a viagem.
- Ajuste a sua condução (p. ex., sensibilidade a ventos laterais, comportamento de travagem e em curvas) à mudança de altura do veículo.
- O cabo de alimentação CC tem de estar desconectado da fonte de alimentação durante a viagem.
- Não monte nem dobre a tenda de tejadilho com o veículo em movimento.



NOTA! Risco de danos

- A tenda de tejadilho aumenta a altura do veículo. Tenha atenção a entradas, pontes e ramos baixos, bem como a outros obstáculos.
- Quando utilizar um sistema de lavagem automático, remova a tenda e a barra de tejadilho.



OBSERVAÇÃO

- Pode ocorrer ruído de vento ao conduzir com a tenda de tejadilho no tejadilho de um veículo.

Material fornecido

| Componente | Quantidade |
|-----------------------------------|------------|
| Tenda de tejadilho pré-montada | 1 |
| Escada telescópica de alumínio | 1 |
| Cobertura da tenda | 1 |
| Controlo remoto sem fios | 1 |
| Cabo de alimentação CC | 1 |
| Saco de ferramentas | 1 |
| Porcas de plástico | 8 |
| Parafuso sextavado M8 x 50 | 8 |
| Arruela plana M8 | 8 |
| Arruela fendida M8 | 8 |
| Tampa da barra | 4 |
| Suporte em U | 4 |
| Vareta extra para montagem manual | 2 |
| Chave sextavada em L | 2 |
| Chave de parafusos | 1 |

Utilização adequada

Esta tenda de tejadilho é adequada para:

- montagem numa barra de tejadilho apropriada no tejadilho de um veículo apropriado
- condições atmosféricas boas a moderadas
- viagens de turismo

Esta tenda de tejadilho **não** é adequada para:

- utilização por pessoas com capacidades físicas, sensoriais ou mentais reduzidas
- ventos muito fortes ou queda de neve
- estação alta ou utilização comercial

Este produto destina-se exclusivamente à aplicação e aos fins pretendidos com base nestas instruções.

Este manual fornece informações necessárias para proceder a uma instalação e/ou a uma operação adequadas do produto. Uma instalação e/ou uma operação ou manutenção incorretas causarão um desempenho insatisfatório e uma possível avaria.

O fabricante não aceita qualquer responsabilidade por danos ou prejuízos no produto resultantes de:

- Montagem ou ligação incorreta, incluindo sobretensões
- Manutenção incorreta ou utilização de peças sobressalentes não originais fornecidas pelo fabricante
- Alterações ao produto sem autorização expressa do fabricante
- Utilização para outras finalidades que não as descritas no presente manual

A Dometic reserva-se o direito de alterar o design e as especificações do produto.

O equipamento de rádio do aparelho cumpre os requisitos da diretiva 2014/53/UE. A Declaração de Conformidade do seu aparelho está disponível documents.dometic.com.

Descrição técnica

Esta tenda de tejadilho está equipada com um motor elétrico e um controlo remoto sem fios que permite montá-la e recolhê-la. O motor elétrico está equipado com uma proteção contra sobreaquecimento.

A tenda de tejadilho também pode ser montada manualmente com o auxílio das varetas livres fornecidas.

A tenda de tejadilho inclui um colchão de espuma de alta densidade.

Para transportar no tejadilho de um veículo, a tenda de tejadilho pode ser recolhida e coberta com a cobertura de tenda fornecida.

Elementos de comando

| N.º na fig. 1, página 3 | Descrição | Explicação |
|-------------------------|------------|---|
| 1 | Botão UP | Monta a tenda de tejadilho. |
| 2 | Botão DOWN | Recolhe a tenda de tejadilho. |
| 3 | Botão STOP | Para o processo de montagem e de recolha. |

Utilizar a tenda de tejadilho



AVISO! Perigo de ferimentos

- Antes de subir a escada, certifique-se de que a tenda de tejadilho está firmemente fixada na barra de tejadilho.
- Antes de entrar ou sair da tenda de tejadilho, assegure-se de que a escada está bem engatada na estrutura de base da tenda.
- Utilize a escada sempre com cuidado.
- Feche sempre a porta de entrada da tenda de tejadilho antes de dormir para evitar cair da tenda enquanto dorme.
- Utilize o controlo remoto apenas para controlar a tenda de tejadilho a partir do chão.



NOTA! Risco de danos

Deixe as janelas laterais abertas enquanto monta ou recolhe a tenda de tejadilho.

Antes da primeira utilização

Antes da primeira utilização, familiarize-se com o produto testando a montagem. Verifique se o material fornecido está completo.

Montar a tenda de tejadilho



AVISO! Perigo de ferimentos

- Certifique-se de que não há outras pessoas, sobretudo crianças, nas proximidades do veículo ao içar, com a ajuda de uma segunda pessoa, a tenda de tejadilho para pousar no tejadilho do veículo.
- Para evitar que a tenda de tejadilho caia, iced-a para o tejadilho do seu veículo com o auxílio de outra pessoa capaz.
- Monte a tenda de tejadilho paralela à linha da estrada e não na perpendicular para evitar criar uma força de elevação excessiva.
- Aperte todos os parafusos para que estejam todos suficientemente fixados.

Montar para instalação elétrica

- Proceda conforme ilustrado (fig. 2, página 3 – fig. 4, página 3).

Montar para instalação manual

- Ver capítulo “Montar a tenda de tejadilho de modo manual” na página 26.

Montar a tenda de tejadilho

Montar a tenda de tejadilho de modo elétrico



AVISO! Perigo de ferimentos

Depois de montar a tenda de tejadilho, desconecte o cabo de alimentação CC da fonte de alimentação.



OBSERVAÇÃO

Se a montagem elétrica não funcionar, monte a tenda de tejadilho manualmente (ver capítulo “Montar a tenda de tejadilho de modo manual” na página 26).

- Proceda conforme ilustrado (fig. 5, página 4 – fig. 10, página 5 e fig. 17, página 7).

Montar a tenda de tejadilho de modo manual



AVISO! Perigo de ferimentos

Não tente trocar as varetas enquanto a tenda de tejadilho estiver montada no tejadilho do veículo.



NOTA! Danos materiais

Não tente remover as varetas livres da parte de baixo da tenda de tejadilho enquanto a tenda estiver montada no tejadilho do veículo. Isto pode danificar a pintura do veículo.

1. Se a tenda de tejadilho já estiver montada na barra de tejadilho, desmonte primeiro a tenda procedendo na sequência inversa à da montagem.
2. Proceda conforme ilustrado (fig. 11, página 5 – fig. 17, página 7).

Recolher a tenda de tejadilho



AVISO! Perigo de ferimentos

Certifique-se de que não há pessoas nem objetos dentro da tenda de tejadilho antes de a recolher.



NOTA! Danos materiais

- Ao recolher e cobrir a tenda de tejadilho, certifique-se de que a tenda está seca.
- Se a estrutura tiver água, monte-a para sacudir a água.

- Proceda à desmontagem no sentido inverso.

Armazenar a tenda de tejadilho

Armazenar no tejadilho de um veículo



AVISO! Perigo de ferimentos

- Por motivos de segurança dos outros utentes da estrada e por motivos de poupança de combustível, guarde a tenda de tejadilho no tejadilho de um veículo apenas durante a viagem.
- Remova a tenda de tejadilho quando não a utilizar durante um longo período de tempo e armazene-a conforme indicado no capítulo “Armazenar durante períodos de tempo longos” na página 26.
- Cumpra as indicações de segurança para transportar a tenda de tejadilho no tejadilho de um veículo (ver capítulo “Segurança durante o transporte da tenda de tejadilho no tejadilho de um veículo” na página 24).

1. Recolha a tenda de tejadilho (ver capítulo “Recolher a tenda de tejadilho” na página 26).
2. Guarde a escada na tenda de tejadilho recolhida (ver fig. 18, página 7).
3. Cubra a tenda de tejadilho recolhida com a cobertura de tenda e feche firmemente as cintas suaves existentes na cobertura.

Armazenar durante períodos de tempo longos

1. Desmonte a tenda de tejadilho da barra de tejadilho.
2. Se necessário, limpe a tenda de tejadilho (ver capítulo “Limpeza e manutenção” na página 26.)
3. Certifique-se de que a tenda de tejadilho está completamente seca antes de a guardar.
4. Armazene o produto num local seco e bem ventilado.

Limpeza e manutenção



AVISO! Perigo de ferimentos

Limpe e faça a manutenção da tenda de tejadilho apenas no chão. Nunca suba para o veículo para limpar a tenda de tejadilho enquanto a tenda está montada no tejadilho.



NOTA! Danos materiais

- Não utilize objetos afiados ou duros, nem produtos de limpeza.
- Não utilize materiais à base de álcool, químicos, sabão e detergentes de limpeza.
- Elimine excrementos de pássaros e resina de árvores o mais rapidamente possível para evitar danos permanentes no material.



OBSERVAÇÃO

- Monte completamente a tenda de tejadilho para limpar.
- Escolha um dia ensolarado para limpar, de modo a garantir que o material secará completamente.

- Se for necessário, limpe o produto com água limpa e morna e uma escova suave.
- Antes de cada viagem, aplique impermeabilizante contra água e radiação UV.
- Trate as costuras e os fechos-éclair com produtos de manutenção adequados.
- Mantenha os sistemas de acionamento motorizados limpos limpando-os com um pano limpo e seco.

Resolução de falhas



OBSERVAÇÃO

- Durante a primeira exposição à água, poderá verificar-se a existência de alguma humidade nas costuras. Esta humidade faz inchar os fios e preencher os orifícios criados durante o processo de costura.
- Um kit de peças sobressalentes completamente equipado deve incluir:
 - impermeabilizante
 - fita e solução de reparação
 - spray de silicone para os fechos-éclair
 - estacas sobressalentes

| Problema | Solução |
|--|--|
| Fuga de água | <ul style="list-style-type: none"> ▶ Verifique se existem costuras com fugas, fitas danificadas e áreas húmidas. ▶ Se não conseguir detetar fugas, ver capítulo "Condensação" na página 27. ▶ Se detetar fugas, aplique uma massa de vedação de costuras. |
| Rasgo na lona | <ul style="list-style-type: none"> ▶ Utilize a fita de reparação para vedar a lona. ▶ As reparações devem ser realizadas por um técnico qualificado autorizado. |
| Motor ou controlo remoto não funcionam | <ul style="list-style-type: none"> ▶ Utilize as varetas livres para montar manualmente (ver capítulo "Montar a tenda de tejadilho de modo manual" na página 26). ▶ O motor elétrico ou os sistemas de acionamento motorizados só podem ser reparados por um técnico qualificado autorizado. ▶ Substitua a pilha do controlo remoto. |
| Ganchos da escada gastos ou partidos | <ul style="list-style-type: none"> ▶ Contacte o fabricante para substituir as peças. |
| Ruído ao montar ou recolher a tenda de tejadilho | <ul style="list-style-type: none"> ▶ Verifique as varetas e juntas. ▶ As reparações devem ser realizadas por um técnico qualificado autorizado. |

Condensação

Todas as tendas sofrem de condensação interior, se se verificarem uma ou várias das condições seguintes:

- elevada humidade do ar
- uma queda da temperatura

A condensação acentuada pode escorrer pelo interior do teto e pingar de cordas, fitas e outros acessórios internos, podendo ser confundida com infiltrações.

- ▶ Aumente a ventilação abrindo as portas e/ou as janelas.

Eliminação

- ▶ Sempre que possível, coloque o material de embalagem no respectivo contentor de reciclagem.



Para colocar o aparelho definitivamente fora de funcionamento, por favor, informe-se junto do centro de reciclagem mais próximo ou revendedor sobre as disposições de eliminação aplicáveis.

Garantia



Aplica-se o prazo de garantia legal. Se o produto apresentar defeitos, contacte o seu revendedor ou a filial do fabricante no seu país (ver dome-tic.com/dealer).

Para fins de reparação ou de garantia, terá de enviar também os seguintes documentos:

- Uma cópia da fatura com a data de aquisição
- Um motivo de reclamação ou uma descrição da falha

A garantia cobre defeitos de fabrico, materiais e peças. A garantia não cobre a descoloração do revestimento nem a deterioração causada por radiação UV, uso indevido, danos acidentais, danos causados por tempestade, nem danos devidos à utilização permanente, semipermanente ou comercial. A presente garantia não cobre danos subsequentes. Em caso de reclamação, contacte o seu revendedor. Estas disposições não afetam os seus direitos legais.

Dados técnicos

| | TRT120E |
|--|---|
| Tensão de conexão: | 12 V CC |
| Consumo de corrente: | 20 W |
| Classificação mínima da tomada: | 10 A |
| Frequência do controlo remoto: | 433 MHz |
| Altura do colchão de espuma: | 5 cm |
| Dimensões da tenda interior (L x A x P): | 120 x 100 x 200 cm |
| Dimensões da tenda exterior (L x A x P): | 132 x 115 x 218 cm |
| Dimensões da embalagem (L x A x P): | 144 x 32 x 229 cm |
| Peso (inclusive escada): | 53 kg |
| Conformidade: |   |

Si prega di leggere attentamente e di seguire tutte le istruzioni, le linee guida e le avvertenze incluse in questo manuale del prodotto, al fine di garantire che il prodotto venga sempre installato, utilizzato e mantenuto nel modo corretto. Queste istruzioni DEVONO essere conservate insieme al prodotto.

Utilizzando il prodotto, l'utente conferma di aver letto attentamente tutte le istruzioni, le linee guida e le avvertenze e di aver compreso e accettato di rispettare i termini e le condizioni qui espressamente indicati. L'utente accetta di utilizzare questo prodotto solo per lo scopo e l'applicazione previsti e in conformità con le istruzioni, le linee guida e le avvertenze indicate nel presente manuale del prodotto, nonché in conformità con tutte le leggi e i regolamenti applicabili. La mancata lettura e osservanza delle istruzioni e delle avvertenze qui espressamente indicate può causare lesioni personali e a terzi, danni al prodotto o ad altre proprietà nelle vicinanze. Il presente manuale del prodotto, comprese le istruzioni, le linee guida e le avvertenze e la relativa documentazione possono essere soggetti a modifiche e aggiornamenti. Per informazioni aggiornate sul prodotto, si prega di visitare il sito dometic.com.



PERICOLO!

Istruzione per la sicurezza: la mancata osservanza di questa istruzione causerà lesioni gravi o mortali.



AVVERTENZA!

Istruzione per la sicurezza: la mancata osservanza di questa istruzione causerà lesioni gravi o mortali.



AVVISO!

La mancata osservanza di questa istruzione può causare danni materiali e compromettere il funzionamento del prodotto.



NOTA

Informazioni integranti relative all'impiego del prodotto.

Istruzioni generali per la sicurezza



PERICOLO! La mancata osservanza di questa istruzione causerà lesioni gravi o mortali.

Pericolo di avvelenamento da monossido di carbonio

- Non utilizzare mai apparecchi a combustibile come barbecue o riscaldatori a gas all'interno della tenda da tetto. Il processo di combustione produce monossido di carbonio che si accumula all'interno della tenda per l'assenza di una canna fumaria.



AVVERTENZA! La mancata osservanza di queste avvertenze potrebbe causare la morte o lesioni gravi. **Pericolo di incendio**

- Assicurarsi di essere a conoscenza delle misure antincendio valide sul posto.
- Non cucinare all'interno della tenda da tetto e non utilizzare fiamme libere.

Pericolo di asfissia

- Assicurarsi che le aperture di ventilazione siano sempre aperte per evitare il soffocamento.

Rischio di lesioni

- Questo dispositivo non è destinato all'uso da parte di persone (compresi i bambini) con ridotte capacità fisiche, sensoriali o mentali.
- Non permettere ai bambini di giocare con la tenda da tetto e assicurarsi che il telecomando sia sempre conservato lontano dalla portata dei bambini.
- La pulizia e la manutenzione da parte dell'utente non possono essere eseguite dai bambini.

- Controllate sempre le previsioni del tempo prima di montare e utilizzare la tenda da tetto.

- Non usare la tenda da tetto se è prevista una tempesta o un temporale.
- Se si viene sorpresi da un temporale, abbandonare immediatamente la tenda da tetto e mettersi al sicuro all'interno del veicolo. Rimanere all'interno del veicolo fino alla fine del temporale per evitare di essere colpiti da un fulmine.
- Non sollevare, usare o richiudere la tenda da tetto in presenza di forte vento.
- Non richiudere la tenda da tetto in caso di forte pioggia.

- Non utilizzare la tenda da tetto se una parte o uno dei suoi componenti è visibilmente danneggiato. Contattare il produttore per richiedere assistenza.
- Utilizzare solo portapacchi collaudati (ad es. omologazione GS) e approvati per essere utilizzati sul proprio veicolo.
- Prima di montare la tenda da tetto, assicurarsi che il veicolo e il portapacchi dispongano di una capacità di carico sufficiente per la tenda da tetto e le persone e gli oggetti che troveranno posto al suo interno.



AVVISO! Rischio di danni

- Non modificare o cercare di riparare il motore elettrico o le aste di spinta elettriche.
- Non esercitare pressione sulla tenda da tetto quando è ripiegata.
- Tenere il telecomando in un luogo asciutto.



NOTA

- Tenere sempre a portata di mano i manuali del veicolo e del portapacchi e seguire le istruzioni ivi contenute.

Sicurezza durante il trasporto della tenda da tetto sul tetto del veicolo



AVVERTENZA! La mancata osservanza di queste avvertenze potrebbe causare la morte o lesioni gravi. **Rischio di lesioni**

- Viaggiare con la tenda da tetto posizionata sul tetto del veicolo solo dopo averla ripiegata e coperta correttamente con l'apposito telo.
- Non superare i 110 km/h con la tenda da tetto posizionata sul tetto del veicolo.
- All'inizio di ogni viaggio e a intervalli regolari nel corso di ogni viaggio, controllare che la tenda da tetto sia saldamente fissata al portapacchi e che il telo di protezione sia fissato in modo sicuro. Assicurarsi sempre che la tenda da tetto sia collocata in un luogo sicuro e adeguato.
- Carichi non fissati e un portapacchi o una tenda da tetto montati in modo errato possono andare persi durante il viaggio e ferire altri utenti della strada cadendo.
- Assicurarsi di riporre correttamente la scala sopra la tenda da tetto ripiegata e sotto il telo di protezione della tenda per evitare che la scala cada e ferisca altri utenti della strada durante il viaggio.
- Assicurarsi di modificare il proprio comportamento di guida (ad esempio la sensibilità al vento trasversale, il comportamento in curva e durante la frenata) in modo da compensare la variazione di altezza del veicolo.
- Il cavo di alimentazione CC deve essere scollegato dall'alimentazione elettrica durante il viaggio.
- Non sollevare o smontare la tenda da tetto mentre il veicolo è in movimento.



AVVISO! Rischio di danni

- La tenda da tetto aumenta l'altezza del veicolo. Fare attenzione ad accessi, ponti o rami bassi e ad altri ostacoli.
- Rimuovere la tenda da tetto e il portapacchi quando si accede a un autolavaggio automatico.



NOTA

- Il rumore del vento può verificarsi quando si guida con la tenda da tetto posizionata sul tetto del veicolo.

Dotazione

| Componente | Quantità |
|--|----------|
| Tenda da tetto preassemblata | 1 |
| Scala telescopica in alluminio | 1 |
| Telo di protezione | 1 |
| Telecomando wireless | 1 |
| Cavo di alimentazione CC | 1 |
| Borsa per gli attrezzi | 1 |
| Dadi di plastica | 8 |
| Bullone a testa esagonale M8 x 50 | 8 |
| Rondella piana M8 | 8 |
| Rondella elastica M8 | 8 |
| Copertura terminale della guida | 4 |
| Staffa a U | 4 |
| Palo di ricambio per il sollevamento manuale | 2 |
| Chiave esagonale a L | 2 |
| Cacciavite | 1 |

Destinazione d'uso

Questa tenda da tetto è adatta per:

- montaggio su un apposito portapacchi sul tetto di un veicolo consono
- tempo da buono a moderato
- viaggi itineranti

Questa tenda da tetto **non** è adatta per:

- uso da parte di persone con ridotte capacità fisiche, sensoriali o mentali
- venti molto forti o nevicate
- uso stagionale o commerciale

Questo prodotto è adatto solo per l'uso e l'applicazione previsti in conformità con le presenti istruzioni.

Questo manuale fornisce le informazioni necessarie per la corretta installazione e/o il funzionamento del prodotto. Una cattiva installazione e/o un funzionamento o una manutenzione impropria comporteranno prestazioni insoddisfacenti e un possibile guasto.

Il produttore non si assume alcuna responsabilità per eventuali lesioni o danni al prodotto che derivino da:

- montaggio o collegamento non corretti, compresa la sovratensione
- manutenzione o uso non corretti di ricambi diversi da quelli originali forniti dal produttore
- modifiche al prodotto senza esplicita autorizzazione del produttore
- impiego per fini diversi rispetto a quelli descritti nel presente manuale

Dometic si riserva il diritto di modificare l'aspetto e le specifiche del prodotto.

L'equipaggiamento radio del dispositivo è conforme ai requisiti della direttiva 2014/53/UE. La dichiarazione di conformità del dispositivo è disponibile su documents.dometic.com.

Descrizione delle caratteristiche tecniche

Questa tenda da tetto è dotata di un motore elettrico e di un telecomando wireless per il sollevamento e la chiusura della tenda. Il motore elettrico è dotato di una protezione contro il surriscaldamento.

La tenda da tetto può anche essere sollevata manualmente, utilizzando i pali di ricambio in dotazione.

La tenda da tetto include un materasso in schiuma ad alta densità.

Per il trasporto sul tetto di un veicolo, la tenda da tetto può essere richiusa e coperta con l'apposito telo in dotazione.

Elementi di comando

| N. nella fig. 1, pagina 3 | Descrizione | Spiegazione |
|---------------------------|---------------|---|
| 1 | Pulsante SU | Alza la tenda da tetto. |
| 2 | Pulsante GIÙ | Richiude la tenda da tetto. |
| 3 | Pulsante STOP | Arresta il processo di sollevamento e chiusura. |

Uso della tenda da tetto



AVVERTENZA! Rischio di lesioni

- Assicurarsi che la tenda da tetto sia fissata saldamente al portapacchi prima di salire sulla scala.
- Assicurarsi che la scala sia agganciata saldamente al telaio di base della tenda da tetto prima di entrare o uscire dalla tenda da tetto.
- Salire sempre sulla scala con cautela.
- Chiudere la porta d'ingresso della tenda da tetto prima di andare a dormire per evitare di cadere dalla tenda nel sonno.
- Usare il telecomando per comandare la tenda da tetto esclusivamente da terra.



AVVISO! Rischio di danni

Tenere aperte le finestre laterali mentre si monta o si ripiega la tenda da tetto.

Prima del primo uso

Familiarizzare con il prodotto eseguendo un test di prova prima di utilizzarlo per la prima volta. Controllare se la fornitura è completa.

Montaggio della tenda da tetto



AVVERTENZA! Rischio di lesioni

- Assicurarsi che nessun'altra persona, in particolare i bambini, si trovi nelle vicinanze del veicolo quando si è intenti a sollevare la tenda sul tetto del veicolo assieme a una seconda persona.
- Sollevare la tenda da tetto sul tetto del veicolo insieme a una persona esperta in modo da evitare la caduta dall'alto.
- Montare la tenda da tetto parallelamente alla strada e non ad angolo per evitare di creare una forza di sollevamento eccessiva.
- Fissare tutti i bulloni in modo che siano serrati in modo adeguato.

Montaggio per il sollevamento elettrico

- Procedere come illustrato (fig. 2, pagina 3 – fig. 4, pagina 3).

Montaggio per il sollevamento manuale

- Vedi capitolo "Sollevamento manuale della tenda da tetto" a pagina 30.

Sollevamento della tenda da tetto

Sollevamento elettrico della tenda da tetto



AVVERTENZA! Rischio di lesioni

Dopo aver sollevato la tenda da tetto, scollegare il cavo di alimentazione CC dall'alimentazione elettrica.



NOTA

Se il sollevamento elettrico non funziona, sollevare la tenda da tetto manualmente (vedi capitolo "Sollevamento manuale della tenda da tetto" a pagina 30).

- Procedere come illustrato (fig. **5**, pagina 4 – fig. **10**, pagina 5 e fig. **17**, pagina 7).

Sollevamento manuale della tenda da tetto



AVVERTENZA! Rischio di lesioni

Non cercare di sostituire i pali mentre la tenda da tetto è montata sul tetto del veicolo.



AVVISO! danni materiali

Non cercare di rimuovere i pali di ricambio da sotto la tenda da tetto quando quest'ultima è montata sul tetto del veicolo. Ciò potrebbe danneggiare la vernice del veicolo.

1. Se la tenda da tetto è già montata sul portapacchi, smontare prima la tenda da tetto invertendo la procedura di montaggio.
2. Procedere come illustrato (fig. **11**, pagina 5 – fig. **17**, pagina 7).

Chiusura della tenda da tetto



AVVERTENZA! Rischio di lesioni

Prima di ripiegare la tenda da tetto, assicurarsi che non vi siano persone o oggetti al suo interno.



AVVISO! danni materiali

- Quando si ripiega e si copre la tenda da tetto, assicurarsi che sia asciutta.
- Se il telaio contiene acqua, disporlo in modo da far defluire l'acqua.

- Invertire la procedura di installazione.

Stoccaggio della tenda da tetto

Stoccaggio sul tetto di un veicolo



AVVERTENZA! Rischio di lesioni

- Per garantire la sicurezza degli altri utenti della strada e limitare il consumo di carburante, riporre la tenda da tetto sul tetto di un veicolo solo durante il viaggio.
- Rimuovere la tenda da tetto quando non viene utilizzata per un periodo di tempo prolungato e conservarla secondo quanto riportato al capitolo "Stoccaggio per un periodo di tempo prolungato" a pagina 30.
- Osservare le istruzioni di sicurezza per il trasporto della tenda da tetto sul tetto di un veicolo (vedi capitolo "Sicurezza durante il trasporto della tenda da tetto sul tetto del veicolo" a pagina 28).

1. Ripiegare la tenda da tetto (vedi capitolo "Chiusura della tenda da tetto" a pagina 30).
2. Riporre la scala sulla tenda da tetto ripiegata (fig. **18**, pagina 7).
3. Posizionare il telo di protezione della tenda da tetto ripiegata e chiudere bene le cinghie morbide del telo.

Stoccaggio per un periodo di tempo prolungato

1. Smontare la tenda da tetto dal portapacchi.

2. Se necessario, pulire la tenda da tetto (vedi capitolo "Pulizia e cura" a pagina 30.)
3. Assicurarsi che la tenda da tetto sia completamente asciutta prima di metterla via.
4. Conservare in un luogo asciutto e ben ventilato.

Pulizia e cura



AVVERTENZA! Rischio di lesioni

Eseguire la pulizia e la manutenzione della tenda da tetto esclusivamente a terra. Non salire mai sul veicolo per eseguire la pulizia della tenda da tetto quando quest'ultima è montata sul tetto.



AVVISO! danni materiali

- Non utilizzare oggetti appuntiti o duri o detergenti per la pulizia.
- Non utilizzare per la pulizia materiali a base di alcol, prodotti chimici, sapone e detergenti.
- Rimuovere gli escrementi di uccelli e la resina degli alberi il più presto possibile per evitare danni permanenti al materiale.



NOTA

- Aprire l'intera tenda da tetto per la pulizia.
- Scegliere una giornata soleggiata per eseguire la pulizia in modo da garantire che il materiale si asciughi completamente.

- Se necessario, pulire il prodotto con acqua tiepida e pulita e una spazzola morbida.
- Eseguire un trattamento impregnante contro l'acqua e i raggi UV prima di ogni viaggio.
- Trattare le cuciture e le cerniere con prodotti per la cura adatti.
- Mantenere pulite le aste di spinta motorizzate strofinandole con un panno pulito e asciutto.

Risoluzione dei problemi




NOTA

- Durante la prima esposizione all'acqua può essere presente un po' di umidità sulle cuciture. A causa dell'umidità i fili si gonfiano e riempiono i fori che si creano durante il processo di cucitura.
- Un kit di ricambi completo deve includere:
 - impermeabilizzante
 - nastro di riparazione e soluzione di riparazione
 - spray al silicone per cerniere
 - picchetti di ricambio

| Problema | Soluzione |
|---------------------|--|
| Perdita d'acqua | <ul style="list-style-type: none">► Controllare che non vi siano cuciture che perdono, nastri danneggiati e zone umide.► Se non si riscontrano perdite, consultare il capitolo "Condensa" a pagina 31.► Se si riscontrano perdite, applicare il sigillante per cuciture. |
| Strappo nel tessuto | <ul style="list-style-type: none">► Riparare la perforazione utilizzando nastro adesivo.► Far eseguire le riparazioni da uno specialista autorizzato. |

| Problema | Soluzione |
|---|--|
| Il motore o il telecomando non funzionano | <ul style="list-style-type: none"> ➤ Utilizzare i pali di ricambio per il montaggio manuale (vedere capitolo "Sollevamento manuale della tenda da tetto" a pagina 30). ➤ Far riparare il motore elettrico o le aste di spinta motorizzate da uno specialista autorizzato. ➤ Sostituire la batteria del telecomando. |
| I ganci della scala sono usurati o rotti | <ul style="list-style-type: none"> ➤ Contattare il produttore per la sostituzione. |
| Rumori durante il sollevamento o la chiusura della tenda da tetto | <ul style="list-style-type: none"> ➤ Ispezionare i pali e i giunti. ➤ Far eseguire le riparazioni da uno specialista autorizzato. |

| | TRT120E |
|---|---|
| Dimensioni interne della tenda (L x A x P): | 120 x 100 x 200 cm |
| Dimensioni esterne della tenda (L x A x P): | 132 x 115 x 218 cm |
| Dimensioni d'ingombro (L x A x P): | 144 x 32 x 229 cm |
| Peso (scala compresa): | 53 kg |
| Conformità: |  |

Condensa

Tutte le tende sono affette da condensa interna se si verificano una o più delle seguenti condizioni:

- elevata umidità dell'aria
- un calo di temperatura

Una forte condensa può colare dall'interno del tetto e gocciolare da fascette, nastri e altri raccordi interni ed essere scambiata per una perdita.

- Aumentare la ventilazione aprendo porte e/o finestre.

Smaltimento

- Raccogliere il materiale di imballaggio possibilmente negli appositi contenitori di riciclaggio.



Quando il prodotto viene messo fuori servizio definitivamente, informarsi al centro di riciclaggio più vicino, oppure presso il proprio rivenditore specializzato, sulle prescrizioni adeguate concernenti lo smaltimento.

Garanzia

Vale il termine di garanzia previsto dalla legge. Se il prodotto è difettoso, contattare il rivenditore di fiducia o la filiale del costruttore nel proprio Paese (vedi dometic.com/dealer).

Per la gestione della riparazione e della garanzia è necessario inviare la seguente documentazione insieme al dispositivo:

- una copia della ricevuta con la data di acquisto,
- il motivo della richiesta o la descrizione del guasto.

La garanzia copre difetti di fabbricazione, materiali e componenti. La garanzia non copre lo scolorimento della copertura e l'usura dovuta ai raggi UV, l'uso improprio, i danni accidentali, i danni da tempesta o l'uso permanente, semipermanente o commerciale. Non copre i danni risultanti. Si prega di contattare il proprio rivenditore per eventuali reclami. Questo non influisce sui diritti statuari dell'utente.

Specifiche tecniche

| | TRT120E |
|--------------------------------------|---------|
| Tensione di allacciamento: | 12 V CC |
| Potenza assorbita: | 20 W |
| Amperaggio minimo della presa: | 10 A |
| Frequenza del telecomando: | 433 MHz |
| Profondità del materasso in schiuma: | 5 cm |

Lees alle instructies, richtlijnen en waarschuwingen in deze gebruiksaanwijzing en volg ze zorgvuldig op om ervoor te zorgen dat u het product te allen tijde op de juiste manier installeert, gebruikt en onderhoudt. Deze instructies MOETEN bij dit product bewaard worden.

Door het product te gebruiken, bevestigt u hierbij dat u alle instructies, richtlijnen en waarschuwingen zorgvuldig hebt gelezen en dat u de voorwaarden en condities zoals die hierin zijn beschreven begrijpt en accepteert. U gaat ermee akkoord dit product alleen te gebruiken voor het beoogde doel en de beoogde toepassing en in overeenstemming met de instructies, richtlijnen en waarschuwingen zoals beschreven in deze gebruiksaanwijzing en in overeenstemming met de geldende wet- en regelgeving. Het niet lezen en opvolgen van de hierin beschreven instructies en waarschuwingen kan leiden tot letsel voor uzelf en anderen, schade aan uw product of schade aan andere eigendommen in de omgeving. Deze gebruiksaanwijzing, met inbegrip van de instructies, richtlijnen en waarschuwingen, en de bijbehorende documentatie kan onderhevig zijn aan wijzigingen en updates. Actuele productinformatie vindt u op dometic.com.



GEVAAR!

Veiligheidsinstructie: Niet-inachtneming van deze instructie leidt tot ernstig of dodelijk letsel.



WAARSCHUWING!

Veiligheidsinstructie: Niet-inachtneming van deze instructie kan leiden tot ernstig letsel of de dood.



LET OP!

Niet-inachtneming van deze instructie kan materiële schade veroorzaken en de werking van het product benadelen.



INSTRUCTIE

Aanvullende informatie voor het bedienen van het product.

Algemene veiligheidsaanwijzingen



GEVAAR! Niet-inachtneming van deze instructie leidt tot ernstig letsel of de dood.

Gevaar voor koolmonoxidevergiftiging

- Gebruik nooit apparaten op brandstof in de daktent, bijvoorbeeld barbecues of gasbranders. Door het verbrandingsproces komt koolmonoxide vrij die zich in de tent verzamelt, omdat deze geen rookkanaal heeft.



WAARSCHUWING! Het niet in acht nemen van deze waarschuwingen kan leiden tot ernstig letsel of de dood.

Brandgevaar

- Zorg ervoor dat u bekend bent met de brandpreventie-maatregelen ter plaatse.
- Gebruik de daktent niet om in te koken en gebruik er geen open vuur.

Gevaar voor verstikking

- Zorg ervoor dat alle ventilatieopeningen te allen tijde open zijn om verstikking te voorkomen.

Gevaar voor letsel

- Dit apparaat is niet bestemd voor gebruik door personen (inclusief kinderen) met lichamelijke, zintuiglijke of geestelijke beperkingen.
- Laat kinderen niet met de daktent spelen en zorg ervoor dat de afstandsbediening buiten bereik van kinderen wordt bewaard.
- Reiniging en onderhoud mogen niet worden uitgevoerd door kinderen.
- Controleer altijd het weerbericht voor opzetten en gebruiken van de daktent.
 - Gebruik de daktent niet als er een storm of onweer wordt voorspeld.
 - Als u in onweer terecht komt, verlaat de tent dan onmiddellijk en ga voor uw eigen veiligheid in uw voertuig zitten. Blijf in het voertuig tot het onweer voorbij is om te voorkomen door een bliksem geraakt te worden.
 - Zet de daktent niet op en gebruik deze niet als het hard waait.
 - Vouw de daktent niet in als het hard regent.



LET OP! Gevaar voor schade

- Maak geen aanpassingen aan de elektrische motor of de elektrische drukstokken en probeer ze niet zelf te repareren.
- Druk de daktent niet omlaag als deze is ingevouwen.
- Houd de afstandsbediening droog.



INSTRUCTIE

- Houd de handleidingen van het voertuig en het dakrek altijd bij u en volg de instructies.

Veiligheid bij het transporteren van de daktent op een voertuig



WAARSCHUWING! Het niet in acht nemen van deze waarschuwingen kan leiden tot ernstig letsel of de dood.

Gevaar voor letsel

- Rijd alleen met de daktent op het dak van het voertuig als de daktent is ingevouwen en correct is afgedekt met de tentafdekking.
- Rijd niet harder dan 110 km/h met de daktent op het dak van het voertuig.
- Controleer voor elke reis en regelmatig gedurende de reis of de danktent goed aan het dakrek is bevestigd en of de tentafdekking veilig is vastgemaakt. Zorg er altijd voor dat de daktent zich op een veilige en geschikte plaats bevindt.
- Ladingen die niet zijn vastgemaakt en een verkeerd bevestigd dakrek of verkeerd bevestigde daktent kunnen tijdens de reis worden verloren en een gevaar vormen voor andere weggebruikers.
- Zorg ervoor dat de ladder correct op de ingevouwen daktent wordt opgeborgen en onder de tentafdekking, om te voorkomen dat de ladder eraf valt en een gevaar vormt voor andere weggebruikers.
- Pas uw rijstijl aan (bijv. bij zijwind, het nemen van bochten en afremmen) aan de nieuwe hoogte van uw voertuig.
- De gelijkstroomkabel moet gedurende de reis van de stroomvoorziening worden losgekoppeld.
- Zet de daktent niet op en gebruik deze niet als het voertuig in beweging is.



LET OP! Gevaar voor schade

- De daktent verhoogt het gewicht van het voertuig. Let op lage ingangen, lage bruggen, lage takken en andere obstakels.
- Demonteer de daktent en het dakrek voor gebruik van een automatische wasstraat.



INSTRUCTIE

- Er kunnen windgeluiden ontstaan tijdens het rijden met een daktent op het dak van het voertuig.

Omvang van de levering

| Onderdeel | Aantal |
|-------------------------------------|--------|
| Voorgemonteerde daktent | 1 |
| Telescopische aluminium ladder | 1 |
| Tentdoek | 1 |
| Draadloze afstandsbediening | 1 |
| DC-stroomkabel | 1 |
| Gereedschapstas | 1 |
| Kunststof moeren | 8 |
| Zeskantbout M8 x 50 | 8 |
| Platte sluitring M8 | 8 |
| Gespleten ring M8 | 8 |
| Raildop | 4 |
| U-beugel | 4 |
| Reservestok voor handmatig opzetten | 2 |
| L-vormige zeskantsleutel | 2 |
| Schroevendraaier | 1 |

Beoogd gebruik

Deze daktent is geschikt voor:

- bevestigen op een geschikt dakrek op het dak van een geschikt voertuig
- Goed tot matig weer
- Rondreizen

Deze daktent is **niet** geschikt voor:

- gebruik door personen met lichamelijke, zintuiglijke of geestelijke beperkingen
- Harde wind of sneeuw
- Seizoensplaatsen of commercieel gebruik

Dit product is alleen geschikt voor het beoogde gebruik en de toepassing in overeenstemming met deze gebruiksaanwijzing.

Deze handleiding geeft informatie die nodig is voor een goede installatie en/of bediening van het product. Een slechte installatie en/of verkeerde bediening of onderhoud leidt tot onbevredigende prestaties en mogelijke storingen.

De fabrikant aanvaardt geen aansprakelijkheid voor letsel of schade aan het product die het gevolg is van:

- Onjuiste montage of aansluiting, inclusief te hoge spanning
- Onjuist onderhoud of gebruik van andere dan door de fabrikant geleverde originele reserveonderdelen
- Wijzigingen van het product zonder uitdrukkelijke toestemming van de fabrikant
- Gebruik voor andere doeleinden dan beschreven in deze handleiding

Dometic behoudt zich het recht voor om het uiterlijk en de specificaties van het product te wijzigen.

De radioapparatuur van het toestel voldoet aan de vereisten van de richtlijn 2014/53/EU. De verklaring van overeenstemming van uw apparaat is te vinden op documents.dometic.com.

Technische beschrijving

Deze daktent is uitgerust met een elektrische motor en een draadloze afstandsbediening voor het opzetten en omlaag vouwen. De elektrische motor is uitgerust met een oververhittingsbeveiliging.

De daktent kan ook handmatig worden opgezet met de bijgeleverde reservestokken.

De daktent heeft ook een high-density schuimmatras.

Voor transport op het dak van een voertuig kan de daktent worden ingevouwen en afgedekt met de bijgeleverde tentafdekking.

Bedieningselementen

| Nr. in afb. 1 , pagina 3 | Beschrijving | Toelichting |
|---------------------------------|--------------------|---------------------------------|
| 1 | Knop UP (omhoog) | Zet de daktent op. |
| 2 | Knop DOWN (omlaag) | Vouwt de daktent in. |
| 3 | Knop STOP | Stopt het opzetten en invouwen. |

Daktent gebruiken



WAARSCHUWING! Gevaar voor letsel

- Zorg ervoor dat de daktent goed aan het dak is vastgemaakt alvorens de ladder op te klimmen.
- Zorg ervoor dat de ladder goed in het basisframe van de daktent is gehaakt alvorens de daktent in te gaan of te verlaten.
- Klim altijd voorzichtig op de ladder.
- Sluit de ingang van de daktent voor het slapen om naar beneden vallen tijdens het slapen te voorkomen.
- Gebruik alleen de afstandsbediening om de daktent vanaf de grond te besturen.



LET OP! Gevaar voor schade

Houd de ramen open tijdens het opzetten of invouwen van de daktent.

Voor het eerste gebruik

Maak uzelf vertrouwd met het product door de tent bij wijze van proef op te zetten, alvorens het product voor het eerst te gebruiken. Controleer of de levering compleet is.

Daktent bevestigen



WAARSCHUWING! Gevaar voor letsel

- Zorg ervoor dat er zich geen andere personen, met name kinderen, in de buurt van het voertuig bevinden wanneer u en een tweede persoon de daktent op het dak tilt.
- Til de daktent samen met een tweede persoon op het dak van uw voertuig om te voorkomen dat de daktent naar beneden valt.
- Bevestig de daktent parallel aan de weglijn en niet in een hoek, om overmatige tilkracht te vermijden.
- Daai alle bouten voldoende goed vast.

Bevestigen voor elektrisch opzetten

- Ga als volgt te werk (afb. **2**, pagina 3 – afb. **4**, pagina 3).

Bevestigen voor handmatig opzetten

- Zie hoofdstuk „Daktent handmatig opzetten” op pagina 34.

Daktent opzetten

Daktent elektrisch opzetten



WAARSCHUWING! Gevaar voor letsel

Ontkoppel de gelijkstroomkabel van de stroomvoorziening na opzetten van de daktent.



INSTRUCTIE

Als het elektrisch opzetten niet werkt, zet de daktent dan handmatig op (zie hoofdstuk „Daktent handmatig opzetten” op pagina 34).

- Ga te werk zoals weergegeven (afb. **5**, pagina 4 – afb. **10**, pagina 5 en afb. **17**, pagina 7).

Daktent handmatig opzetten



WAARSCHUWING! Gevaar voor letsel

Probeer niet de stokken te vervangen terwijl de daktent op het dak van het voertuig is bevestigd.



LET OP! Materiële schade

Probeer niet de reservestokken onder de tent vandaan te verwijderen terwijl de daktent op het dak van het voertuig is bevestigd. Hierdoor kan de lak van het voertuig beschadigd raken.

1. Als de daktent al op het dakrek is bevestigd, demonteer de daktent dan eerst door de bevestigingsprocedure in omgekeerde volgorde uit te voeren.
2. Ga als volgt te werk (afb. **11**, pagina 5 – afb. **17**, pagina 7).

Daktent invouwen



WAARSCHUWING! Gevaar voor letsel

Zorg ervoor dat er geen personen of voorwerpen in de daktent zijn voor invouwen van de daktent.



LET OP! Materiële schade

- Zorg ervoor dat de daktent droog is alvorens in te vouwen en af te dekken.
- Als het frame water bevat, zet het dan op om water te verwijderen.

- Voer de opzetprocedure in omgekeerde volgorde uit.

Opslag van de daktent

Opslag op het dak van het voertuig



WAARSCHUWING! Gevaar voor letsel

- Voor de veiligheid van andere weggebruikers en voor brandstofbesparing, moet de daktent alleen op het dak van een voertuig worden bewaard tijdens een reis.
- Verwijder de daktent als deze voor een langere tijd niet wordt gebruikt en bewaar de tent volgens hoofdstuk „Opslag voor een langere periode” op pagina 34.
- Neem de veiligheidsinstructies voor het transporteren van de daktent op een voertuig in acht (zie hoofdstuk „Veiligheid bij het transporteren van de daktent op een voertuig” op pagina 32).

1. Vouw de daktent in (zie hoofdstuk „Daktent invouwen” op pagina 34).
2. Bewaar de ladder op de ingevouwen daktent (afb. **18**, pagina 7).
3. Plaats de tentafdekking op de ingevouwen daktent en sluit de zachte riemen van de tentafdekking goed vast.

Opslag voor een langere periode

1. Demonteer de daktent van het dakrek.
2. Reinig de daktent indien nodig (zie hoofdstuk „Reiniging en onderhoud” op pagina 34).
3. Zorg ervoor dat de daktent compleet droog is alvorens op te bergen.
4. Berg de tent op op een goed geventileerde, droge plek.

Reiniging en onderhoud



WAARSCHUWING! Gevaar voor letsel

Reinig en onderhoud de daktent alleen op de grond. Klim nooit op het voertuig om de daktent te reinigen als deze op het dak is bevestigd.



LET OP! Materiële schade

- Gebruik geen scherpe of harde voorwerpen of bijtende schoonmaakmiddelen voor de reiniging.
- Gebruik geen middelen op alcoholbasis, chemicaliën, zeep en reinigingsmiddelen voor de reiniging.
- Verwijder vogelpoep en boomhars zo snel mogelijk om te voorkomen dat het materiaal permanent beschadigd raakt.



INSTRUCTIE

- Zet de daktent volledig op om deze te reinigen.
- Kies een zonnige dag voor de reiniging om er zeker van te zijn dat het materiaal goed droogt.

- Reinig het product indien nodig met schoon, lauw water en een zachte borstel.
- Breng voor elke reis waterafstotend middel tegen watervlekken en uv-straling aan.
- Verzorg naden en ritsen met geschikte verzorgingsproducten.
- Houd de gemotoriseerde drukstokken schoon door ze met een schone droge doek schoon te vegen.

Problemen oplossen



INSTRUCTIE

- Tijdens de eerste blootstelling aan water kunnen de naden wat vochtig zijn. Door dit vocht zal de draad zwelven en de gaatjes opvullen die ontstaan zijn in het naaiproces.
- Een volledige set reserveonderdelen bevat:
 - Vochtwerend middel
 - Reparatietape en reparatieoplossing
 - Siliconenspray voor de ritssluitingen
 - Reserveharingen

| Probleem | Oplossing |
|--------------------|--|
| Waterlek | <ul style="list-style-type: none">► Controleer op lekkende naden, beschadigde tape en vochtige plekken.► Als u geen lekkages kunt vinden, zie hoofdstuk „Condensatie” op pagina 35.► Als u lekkages vindt, brengt u naadafdichtingsmiddel aan. |
| Scheur in het doek | <ul style="list-style-type: none">► Gebruik reparatietape om het doek te dichten.► Laat reparaties uitvoeren door een geautoriseerd vakbedrijf. |

| Probleem | Oplossing |
|--|--|
| Motor of afstandsbediening werkt niet | <ul style="list-style-type: none"> ➤ Gebruik de reservestokken voor handmatig opzetten (zie hoofdstuk „Daktent handmatig opzetten“ op pagina 34). ➤ Laat reparaties aan de elektrische motor of de gemotoriseerde drukstokken uitvoeren door een geautoriseerde specialist. ➤ Vervang de batterij van de afstandsbediening. |
| Ladderhaken zijn versleten of defect | <ul style="list-style-type: none"> ➤ Neem contact op met de fabrikant voor vervanging. |
| Geluiden tijdens opzetten of invouwen van de daktent | <ul style="list-style-type: none"> ➤ Inspecteer de stokken en verbindingen. ➤ Laat reparaties uitvoeren door een geautoriseerd vakbedrijf. |

Condensatie

Alle tenten ondervinden condensvorming indien één of meerdere van de volgende omstandigheden van toepassing zijn:

- Hoge luchtvochtigheid
- Temperatuurval

Sterke condensvorming kan langs de binnenzijde van het dak stromen en van koorden, tapes en andere bevestigingen druppelen en worden verward met lekkage.

- Zorg voor meer ventilatie door deuren en/of ramen te openen.

Afvoer

- Laat het verpakkingsmateriaal indien mogelijk recyclen.



Als u het product definitief buiten bedrijf stelt, informeer dan bij het dichtstbijzijnde recyclingcentrum of uw speciaalzaak naar de betreffende afvoervorschriften.

Garantie

De wettelijke garantietermijn is van toepassing. Als het product defect is, neem dan contact op met de detailhandel of met het filiaal van de fabrikant in uw land (zie dometic.com/dealer).



Stuur voor de afhandeling van reparaties of garantie volgende documenten mee:

- Een kopie van de factuur met datum van aankoop
- De reden voor de claim of een beschrijving van de fout

De garantie dekt productiefouten, materialen en onderdelen. De garantie dekt geen verbleking van het tentdoek en slijtage en schade als gevolg van uv-straling, onjuist gebruik, onopzettelijke schade, stormschade en permanent, semi-permanent of commercieel gebruik. De garantie dekt geen enkele vorm van gevolgschade. Neem voor claims contact op met uw dealer. Dit heeft geen invloed op uw wettelijke rechten.

Technische gegevens

| | TRT120E |
|-------------------------------|---------------------|
| Aansluitspanning: | 12 V gelijkspanning |
| Opgenomen vermogen: | 20 W |
| Zekering minimaal: | 10 A |
| Frequentie afstandsbediening: | 433 MHz |
| Dikte schuimmatras: | 5 cm |

| | TRT120E |
|------------------------------------|---|
| Afmetingen binnentent (b x h x d): | 120 x 100 x 200 cm |
| Afmetingen buitentent (b x h x d): | 132 x 115 x 218 cm |
| Afmetingen ingepakt (b x h x d): | 144 x 32 x 229 cm |
| Gewicht (inclusief ladder): | 53 kg |
| Conformiteit: |   |

Læs og følg alle disse anvisninger, retningslinjer og advarsler i denne produktvejledning grundigt for at sikre, at du altid installerer, bruger og vedligeholder produktet korrekt. Disse anvisninger SKAL opbevares sammen med dette produkt.

Ved at benytte produktet bekræfter du hermed, at du har læst alle anvisninger, retningslinjer og advarsler grundigt, og at du forstår og er indforstået med de vilkår og betingelser, der er fastlagt heri. Du er indforstået med kun at bruge dette produkt til det beregnede formål og anvendelse i overensstemmelse med anvisningerne, retningslinjerne og advarslerne i denne produktvejledning samt i overensstemmelse med alle de gældende love og forskrifter. Manglende læsning og ignorerung af disse anvisninger og advarsler kan medføre kvæstelser på dig selv og andre, skade på dit produkt eller skade på anden ejendom i nærheden. Der tages forbehold for eventuelle ændringer og opdateringer af denne produktvejledning samt anvisningerne, retningslinjerne og advarslerne samt den tilhørende dokumentation. Se dometic.com for de nyeste produktinformationer.



FARE!

Sikkerhedshenvisning: Hvis dette ikke overholdes, vil det medføre dødelige eller alvorlige kvæstelser.



ADVARSEL!

Sikkerhedshenvisning: Hvis denne henvisning ikke overholdes, kan det medføre dødelige eller alvorlige kvæstelser.



VIGTIGT!

Manglende overholdelse af denne anvisning kan medføre materielle skader og forringelse af produktets funktion.



BEMÆRK

Supplerende informationer om betjening af produktet.

Generelle sikkerhedshenvisninger



FARE! Hvis dette ikke overholdes, vil det medføre dødelige eller alvorlige kvæstelser.

Fare for kulilteforgiftning

- Brug aldrig et apparat, der forbrænder brændstof som en grill eller gasvarmere, i tagteltet. Forbrændingsprocessen danner kulilte, som ophobes inde i teltet, da der ikke er noget træk.



ADVARSEL! Manglende overholdelse af disse advarsler kan medføre dødelige eller alvorlige kvæstelser.

Brandfare

- Sørg for, at du kender brandbeskyttelsesforanstaltningerne på stedet.
- Undgå madlavning i tagteltet eller brug af åben ild.

Fare for kvælning

- Sørg for, at ventilationsåbningerne hele tiden er åbne for at undgå kvælning.

Fare for kvæstelser

- Produktet er ikke beregnet til at blive brugt af personer (inklusive børn), som har nedsatte fysiske, sansemæssige eller mentale evner.
- Lad ikke børn lege med tagteltet, og sørg for at sikre, at fjernbetjeningen altid opbevares uden for børns rækkevidde.
- Rengøring og brugerens vedligeholdelse må ikke udføres af børn.
- Kontrollér altid vejrudsigten, før du sætter tagteltet op og benytter det.
 - Du må ikke bruge tagteltet, hvis der er varslet stormvejr eller torden.
 - Hvis der bliver overrasket af et tordenvejr, skal du med det samme forlade tagteltet og begive dig selv i sikkerhed i dit køretøj. Bliv i køretøjet, indtil tordenvejret er forbi, så du ikke bliver ramt af lyn.
 - Du må ikke sætte tagteltet op, benytte det eller folde det ned, hvis der er meget kraftig vind.
 - Du må ikke folde tagteltet ned i kraftigt regnvejr.
- Brug ikke tagteltet, hvis nogle af dets komponenter har synlige skader. Kontakt producenten for at få hjælp.
- Brug kun (f.eks. GS-testede) tagbagagebærere, som er godkendt til brug med dit køretøj.



VIGTIGT! Fare for beskadigelse

- Du må ikke ændre eller prøve på at reparere elmotoren eller de elektriske stødstænger.
- Tryk ikke ned på tagteltet, når det er foldet ned.
- Sørg for, at fjernbetjeningen altid er tør.



BEMÆRK

- Opbevar altid instruktionsbøgerne til køretøjet og tagbagagebærerne, og følg anvisningerne i dem.

Sikkerhed under transport af tagteltet på taget af køretøjet



ADVARSEL! Manglende overholdelse af disse advarsler kan medføre dødelige eller alvorlige kvæstelser.

Fare for kvæstelser

- Kør kun med tagteltet på taget af dit køretøj, hvis tagteltet er foldet ned og dækket korrekt med teltafdækningen.
- Kør ikke hurtigere end 110 km/t med tagteltet på taget af dit køretøj.
- Kontrollér før hver tur og regelmæssigt under hver tur, om tagteltet sidder fast på tagbagagebærerne, og at teltafdækningen sidder sikkert fast. Kontrollér altid, at dit tagtelt er anbragt sikkert og korrekt.
- Usikrede laster og ukorrekt monterede tagbagagebærere eller tagtelte kan mistes under turen og kvæste andre medtrafikanter, når de falder af.
- Sørg for at opbevare stigen korrekt øverst på det nedfoldede tagtelt og under tagafdækningen for at undgå, at stigen falder af og kvæster andre medtrafikanter under turen.
- Sørg for at tilpasse din køreadfærd (f.eks. sidevindsfølsomhed, kørsel i sving og bremsninger), så der tages hensyn til køretøjets ændrede højde.
- Jævnstrømskablet skal afbryde fra strømforsyningen under turen.
- Du må ikke sætte tagteltet op eller folde det ned, mens køretøjet kører.



VIGTIGT! Fare for beskadigelse

- Tagteltet forøger køretøjets højde. Vær opmærksom på lave gennemkørselshøjder, lave broer, lavt hængende grene og andre hindringer.
- Fjern tagteltet og tagbagagebærerne, når du vasker bilen i en automatisk vaskehal.



BEMÆRK

- Der kan opstå vindstøj under kørslen med tagteltet på taget af et køretøj.

Leveringsomfang

| Komponent | Antal |
|----------------------------|-------|
| Formonteret tagtelt | 1 |
| Teleskopstige af aluminium | 1 |
| Teltafdækning | 1 |
| Trådløs fjernbetjening | 1 |
| Jævnstrømskabel | 1 |
| Værktøjspose | 1 |
| Plastmøtrikker | 8 |

| Komponent | Antal |
|-----------------------------------|-------|
| M8 x 50 sekskantbolt | 8 |
| M8 flad skive | 8 |
| M8 fjederskive | 8 |
| Skinnehætte | 4 |
| U-formet beslag | 4 |
| Reservestang til manuel opsætning | 2 |
| L-formet unbrakonøgle | 2 |
| Skruetrækker | 1 |

Korrekt brug

Dette tagtelt er beregnet til:

- montering på en egnet tagbagagebærer på et egnet køretøjs tag
- lette til moderate vejrforhold
- touring.

Dette tagtelt er **ikke** beregnet til:

- at blive brugt af personer med nedsatte fysiske sansemæssige eller mentale evner
- meget kraftige vindstyrker eller snefald
- fastligere eller erhvervmæssig brug.

Dette produkt er kun egnet til dets beregnede formål og anvendelse i overensstemmelse med disse anvisninger.

Denne vejledning giver dig oplysninger om, hvad der er nødvendigt med henblik på en korrekt montering og/eller drift af produktet. Dårlig montering og/eller ukorrekt drift eller vedligeholdelse medfører utilstrækkelig ydeevne og mulige fejl.

Producenten påtager sig intet ansvar for kvæstelser eller skader i forbindelse med produktet, der skyldes:

- Ukorrekt samling eller forbindelse inklusive for høj spænding
- Ukorrekt vedligeholdelse eller brug af uoriginale reservedele, der ikke stammer fra producenten
- Ændringer på produktet uden udtrykkelig tilladelse fra producenten
- Brug til andre formål end dem, der er beskrevet i vejledningen

Dometic forbeholder sig ret til at ændre produktets udseende og produktspecifikationer.

Radioudstyret i dette apparat overholder kravene i direktivet 2014/53/EU. Du kan finde overensstemmelseserklæringen til apparatet på documents.dometic.com.

Teknisk beskrivelse

Dette tagtelt er udstyret med en elmotor og en trådløs fjernbetjening til at folde det op og ned med. Elmotoren er udstyret med en overophedningsbeskyttelse.

Tagteltet kan også sættes manuelt op ved at benytte de medfølgende reservestænger.

Tagteltet leveres med en skummadras med høj tæthed.

I forbindelse med transport på taget af et køretøj kan tagteltet foldes ned og dækkes med den medfølgende teltafdækning.

Betjeningslementer

| Nr. på fig. 1 , side 3 | Beskrivelse | Forklaring |
|-------------------------------|-------------|--|
| 1 | Tast UP | Folder tagteltet op. |
| 2 | Tast DOWN | Folder tagteltet ned. |
| 3 | Tast STOP | Stopper opsætningen og foldeprocessen. |

Brug af tagteltet



ADVARSEL! Fare for kvæstelser

- Kontrollér, at tagteltet er anbragt fast på tagbagagebæreren, før de kravler op på stigen.
- Kontrollér, at stigen er sat korrekt fast i tagteltets bundramme fast, før du går ind i forlader tagteltet.
- Vær altid forsigtig, når du kravler op og ned af stigen.
- Luk tagteltets indgangsdør, før du lægger dig til at sove, så du ikke falder ud af tagteltet, når du sover.
- Brug kun fjernbetjeningen til at styre tagteltet fra jorden.



VIGTIGT! Fare for beskadigelse

Hold sideruderne åbne, mens du sætter tagteltet op eller folder det ned.

Før første brug

Lær produktet at kende ved at foretage en prøveopsætning, før produktet anvendes første gang. Kontrollér, om leveringsomfanget er komplet.

Montering af tagteltet



ADVARSEL! Fare for kvæstelser

- Kontrollér, at ingen andre personer, især børn er i nærheden af køretøjet, når du og din hjælper løfter tagteltet op på køretøjets tag.
- Løft tagteltet op på dit køretøjs tag sammen med en anden assisterende person, så du undgår, at tagteltet falder ned.
- Monter tagteltet parallelt med vejens linje og ikke i en vinkel med henblik på at undgå for en kraftig løftekraft.
- Fastgør alle bolte, så de er tilstrækkeligt sikrede.

Montering til elektrisk opsætning

- Fortsæt som vist (fig. **2**, side 3 – fig. **4**, side 3).

Montering til manuel opsætning

- Se kapitlet „Opsætning af tagteltet manuelt“ på side 38.

Opsætning af tagteltet

Opsætning af tagteltet elektrisk



ADVARSEL! Fare for kvæstelser

Afbryd jævnstrømskablet fra strømforsyningen efter opsætningen af tagteltet.



BEMÆRK

Hvis den elektriske opsætning ikke virker, så sæt tagteltet op manuelt (se kapitlet „Opsætning af tagteltet manuelt“ på side 38).

- Fortsæt som vist (fig. **5**, side 4 – fig. **10**, side 5 og fig. **17**, side 7).

Opsætning af tagteltet manuelt



ADVARSEL! Fare for kvæstelser

Du må ikke prøve på at skifte stængerne, mens tagteltet er monteret på køretøjets tag.



VIGTIGT! Materielle skader

Du må ikke prøve på at fjerne reservestængerne fra under tagteltet, mens tagteltet er monteret på køretøjets tag. Dette kan beskadige køretøjets lak.

1. Hvis tagteltet allerede er monteret på tagbagagebæreren, skal du afmontere tagteltet først ved at udføre monteringsproceduren i omvendt rækkefølge.
2. Fortsæt som vist (fig. 11, side 5 – fig. 17, side 7).

Nedfoldning af tagteltet



ADVARSEL! Fare for kvæstelser

Kontrollér, at der ikke er personer eller genstande i tagteltet, før du folder tagteltet ned.



VIGTIGT! Materielle skader

- Når tagteltets folder ned og dækkes til, skal du kontrollere, at tagteltet er tørt.
- Hvis der er vand i rammen, skal det sættes den op, så vandet kan løbe ud.

- Pak forteltet sammen i omvendt rækkefølge i forhold til opsætningen.

Opbevaring af tagteltet

Opbevaring af tagteltet på et køretøj



ADVARSEL! Fare for kvæstelser

- Med henblik på medtrafikanternes sikkerhed og brændstoføkonomien må tagteltet kun opbevares på køretøjets tag på selve rejsen.
- Fjern tagteltet, når det ikke anvendes i længere tid, og opbevar det iht. kapitlet „Opbevaring i en længere periode“ på side 38.
- Overhold sikkerhedsanvisningerne for transport af tagteltet på taget af køretøjet (se kapitlet „Sikkerhed under transport af tagteltet på taget af køretøjet“ på side 36).

1. Fold tagteltet ned (se kapitlet „Nedfoldning af tagteltet“ på side 38).
2. Opbevar stigen på det nedfoldede tagtelt (fig. 18, side 7).
3. Sæt teltafdækningen på det nedfoldede tagtelt, og luk teltafdækningens bløde stropper fast.

Opbevaring i en længere periode

1. Afmonter tagteltet fra tagmagasinet.
2. Rengør om nødvendigt tagteltet (se kapitlet „Rengøring og vedligeholdelse“ på side 38.)
3. Kontrollér, at tagteltet er helt tørt, før det pakkes væk.
4. Skal opbevares et tørt sted med god udluftning.

Rengøring og vedligeholdelse



ADVARSEL! Fare for kvæstelser

Du må kun rengøre og vedligeholde tagteltet på jorden. Du må aldrig kravle op på køretøjet for at rengøre tagteltet, mens det er monteret på taget.



VIGTIGT! Materielle skader

- Du må ikke bruge skarpe eller hårde genstande eller rengøringsmidler under rengøringen.
- Brug ikke spritbaserede materialer, kemikalier, sæbe og rengøringsmidler under rengøringen.
- Fjern fugleklatte og træharpiks så hurtigt som muligt for at undgå, at materialet tager permanent skade.



BEMÆRK

- Sæt tagteltet helt op med henblik på rengøring.
- Vælg at gøre rent på en dag, hvor solen skinner, så du er sikker på, at materialet tørrer helt.

- Rengør produktet om nødvendigt med rent og lunkent vand og en blød børste.
- Påfør vandtætningsmidlet på vandpletter og UV-stråling før hver tur.
- Plej sømme og lynlåse med egnede plejeprodukter.
- Hold de motordrevne stødstænger rene ved at tørre dem af med en tør klud.

Udbedring af fejl



BEMÆRK

- Under den første udsættelse for vand kan der være lidt fugt på sømmene. Som følge af denne fugt svulmer trådene op og fylder de huller, der opstår under syningsprocessen.
- Et komplet udstyret reservedelssæt indeholder:
 - vandtætningsmiddel
 - reparationstape og reparationsopløsning
 - silikonespray til lynlåsene
 - reservepløkker

| Problem | Løsning |
|---|---|
| Vandlækage | <ul style="list-style-type: none">► Kontrollér, om der er søm, der lækker, beskadigede bånd og fugtige områder.► Hvis du ikke kan finde lækager, så se kapitlet „Dannelse af kondensat“ på side 38.► Påfør sømtætningsmiddel, hvis du finder lækager. |
| Reve i stoffet | <ul style="list-style-type: none">► Brug reparationstape til at tætte stoffet.► Få reparationer udført hos en autoriseret specialist. |
| Motoren eller fjernbetjeningen virker ikke | <ul style="list-style-type: none">► Brug reservestængerne til manuel opsætning (se kapitlet „Opsætning af tagteltet manuelt“ på side 38).► Få elmotoren eller de motordrevne stødstænger repareret af en autoriseret specialist.► Udskift batteriet i fjernbetjeningen. |
| Stigekrogene er slidte eller ødelagte | <ul style="list-style-type: none">► Kontakt producenten med henblik på udskiftning. |
| Støj under opsætning eller nedfoldning af tagteltet | <ul style="list-style-type: none">► Kontrollér stængerne og ledforbindelserne.► Få reparationer udført hos en autoriseret specialist. |

Dannelse af kondensat

Alle telte kan dugge indvendigt, hvis et eller flere af de følgende forhold gør sig gældende:

- høj luftfugtighed
- et temperaturfald.

Kraftig kondensering kan løbe ned ad taget og dryppe ned på bindere, bånd og andre indvendige fittings, og man kunne forveksle det med lækage.

- ▶ Sørg for kraftigere udluftningen ved at åbne døre og/eller vinduer.

Bortskaffelse

- ▶ Bortskaf så vidt muligt emballagen sammen med det tilsvarende genbrugsaffald.



Hvis du tager produktet endegyldigt ud af drift, skal du kontakte det nærmeste recyclingcenter eller din faghandel for at få de pågældende forskrifter om bortskaffelse.

Garanti



Den lovbestemte garantiperiode gælder. Hvis produktet er defekt, bedes du kontakte din forhandler eller producentens afdeling i dit land (se domestic.com/dealer).

Ved reparation eller krav om garanti skal du medsende følgende bilag:

- en kopi af regningen med købsdato
- en reklamerationsgrund eller en fejlbeskrivelse.

Garantien dækker produktionsfejl, materialer og dele. Garantien dækker ikke falmning af afdækningen og slitage samt UV-nedbrydning, misbrug, utilsigtet beskadigelse, stormskader, permanent eller halvpermanent brug eller brug i kommercielt øjemed. Den dækker ikke følgeskader. Kontakt din forhandler i forbindelse med krav. Dette påvirker ikke dine lovmæssige krav.

Tekniske data

| | TRT120E |
|--------------------------------|---|
| Tilslutningsspænding: | 12 V jævnstrøm |
| Effektforbrug: | 20 W |
| Min. strøm på stikket: | 10 A |
| Frekvens for fjernbetjeningen: | 433 MHz |
| Dybde for skummadras: | 5 cm |
| Mål indertelt (B x H x D): | 120 x 100 x 200 cm |
| Mål ydertelt (B x H x D): | 132 x 115 x 218 cm |
| Emballagemål (B x H x D): | 144 x 32 x 229 cm |
| Vægt (inklusive stige): | 53 kg |
| Overensstemmelse: |   |

Läs och följ noggrant alla instruktioner, direktiv och varningar i den här produkthandboken för att säkerställa att du alltid installerar, använder och underhåller produkten på rätt sätt. Dessa instruktioner MÅSTE förvaras tillsammans med produkten.

Genom att använda produkten bekräftar du härmed att du noggrant har läst alla instruktioner, direktiv och varningar och att du förstår och är införstådd med att följa de villkor som anges här. Du är införstådd med att endast använda denna produkt i avsett syfte och i enlighet med instruktionerna, direktiven och varningarna som anges i denna produkthandbok samt i enlighet med alla gällande lagar och bestämmelser. Om du inte läser och följer instruktionerna och varningarna som anges här kan det leda till personskador på dig eller andra, på produkten eller annan egendom i närheten. Denna produkthandbok, inklusive instruktionerna, direktiven och varningarna samt relaterad information, kan ändras och uppdateras. För uppdaterad produktinformation, besök dometic.com.



FARA!

Säkerhetsanvisning: Om inte denna anvisning följs leder det till dödliga eller allvarliga personskador.



VARNING!

Säkerhetsanvisning: Om inte denna anvisning följs kan det leda till dödliga eller allvarliga personskador.



OBSERVERA!

Om anvisningarna inte följs kan det leda till materialskador och försämra produktens funktion.



ANVISNING

Kompletterande information om användning av produkten.

Allmänna säkerhetsanvisningar



FARA! Om inte denna anvisning följs leder det till dödsfall eller allvarliga personskador.

Fara för kolmonoxidförgiftning

- Använd aldrig en förbränningsapparat som grill eller gasolkök inuti taktältet. Förbränningen bildar kolmonoxid som samlas inuti tältet eftersom det inte finns någon ventilation.



VARNING! Om man underlåter att följa de här varningarna kan följden bli dödsfall eller allvarlig personskada.

Brandrisk

- Ombesörj att du är bekant med säkerhetsåtgärderna vid brand på plats.
- Laga inte mat i taktältet och använd inte öppen låga.

Kvävningsrisk

- Kontrollera att ventilationsöppningarna är öppna hela tiden för att förhindra kvävning.

Risk för personskada

- Denna produkt är inte avsedd för att användas av personer (inklusive barn) med nedsatt fysisk, sensorisk eller mental förmåga.
- Låt inte barn leka med taktältet och se till att fjärrkontrollen alltid förvaras utom räckhåll för barn.
- Rengöring och användarunderhåll får inte utföras av barn.
- Följ alltid väderprognosen innan du sätter upp och använder taktältet.
 - Använd inte taktältet om väderprognosen förutser storm eller åskväder.
 - Om det börjar åska när du är i taktältet, lämna taktältet omedelbart och sätt dig i säkerhet i fordonet. Stanna kvar i fordonet tills åskvädet är över för att undvika att träffas av blixten.
 - Taktältet ska inte sättas upp, användas eller fällas ner om det blåser mycket.
 - Fäll inte ner taktältet i kraftigt regn.
- Använd inte taktältet om någon del av det eller någon av dess komponenter är skadad. Kontakta tillverkaren för hjälp.
- Använd endast provade (t.ex. GS-provade) takräcken som är godkända för användning på ditt fordon.



OBSERVERA! Risk för skada

- Modifiera inte och försök inte reparera elmotorn eller de eldrivna tryckstaverna.
- Tryck inte på taktältet när det är nedfällt.
- Håll fjärrkontrollen torr.



ANVISNING

- Ha alltid fordonets och taktältets bruksanvisningar med dig och följ anvisningarna i dem.

Säkerhetsanvisningar när taktältet transporteras på fordonets tak



VARNING! Om man underlåter att följa de här varningarna kan följden bli dödsfall eller allvarlig personskada.

Risk för personskada

- Kör bara med taktältet på fordonets tak när taktältet är nedfällt och övertäckt med tälthöljet på rätt sätt.
- Kör inte fortare än 110 km/h med taktältet på fordonets tak.
- Kontrollera innan färden börjar och därefter med jämna mellanrum under färden att taktältet sitter fast ordentligt i takräcket och att tälthöljet sitter fast på ett säkert sätt. Se alltid till att taktältet är säkert och rätt placerat.
- Osäkrad last och felmonterade takräcken eller taktält kan tappas under färden och skada medtrafikanter.
- Förvara stegen rätt ovanpå det nedfällda taktältet och under tälthöljet för att förhindra att stegen ramlar av under färden och skadar medtrafikanter.
- Anpassa ditt körsätt (t.ex. vid sidovind, kurvkörning och inbromsning) efter den ändrade fordonshöjden.
- Likströmskabeln måste vara lossad från strömförsörjningen under färden.
- Taktältet ska inte sättas upp eller fällas ner medan fordonet är i rörelse.



OBSERVERA! Risk för skada

- Taktältet ökar fordonets vikt. Var uppmärksam på låga infarter, låga broar, lågt hängande grenar och andra hinder.
- Ta bort taktältet och takräcket om du ska använda en bilvätt.



ANVISNING

- Det kan uppstå ljud av vinden när du kör med taktältet på fordonets tak.

Leveransomfattning

| Komponent | Mängd |
|---------------------------|-------|
| Förmonterat taktält | 1 |
| Teleskopstege i aluminium | 1 |
| Tältskydd | 1 |
| Trådlös fjärrkontroll | 1 |
| Likströmskabel | 1 |
| Verktygsväska | 1 |
| Plastmuttrar | 8 |
| Sexkantskruv M8 x 50 | 8 |
| Bricka M8 | 8 |
| Fjäderbricka M8 | 8 |

| Komponent | Mängd |
|--------------------------------------|-------|
| Skenskydd | 4 |
| U-fäste | 4 |
| Reservstolpe för manuell uppsättning | 2 |
| Insexnyckel | 2 |
| Skruvmejsel | 1 |

Avsedd användning

Det här taktältet passar för:

- Montering på ett passande takräcke på ett lämpligt fordonstak
- Fint till måttligt dåligt väder
- Resor

Detta taktält passar **inte** för:

- Att användas av personer med nedsatt fysisk, sensorisk eller mental förmåga
- Mycket hårda vindar eller snöfall
- Säsongscamping eller kommersiellt bruk

Den här produkten lämpar sig endast för avsedd användning i enlighet med denna bruksanvisning.

Den här manualen informerar om vad som krävs för att installera och/eller använda produkten på rätt sätt. Felaktig installation och/eller användning eller felaktigt underhåll kommer leda till att produkten inte fungerar optimalt och riskerar gå sönder.

Tillverkaren åtar sig inget ansvar för personskador eller materiella skador på produkten som uppstår till följd av:

- Felaktig montering eller anslutning, inklusive för hög spänning
- Felaktigt underhåll eller användning av reservdelar som inte är originaldelar från tillverkaren
- Ändringar som utförts utan uttryckligt medgivande från tillverkaren
- Användning för andra ändamål än de som beskrivs i denna bruksanvisning

Dometic förbehåller sig rätten att ändra produktens utseende och specifikationer.

Den här apparatens radioutrustning uppfyller kraven för EU-direktiv 2014/53. Försäkran om överensstämmelse för din apparat finns på documents.dometic.com.

Teknisk beskrivning

Taktältet har en elmotor och en trådlös fjärrkontroll för att sätta upp och fälla ner tältet. Elmotorn har ett överhettningsskydd.

Taktältet går också att sätta upp manuellt med de medföljande reservstolparna.

I taktältet ingår en madrass av högdensitetsskum.

Vid transport på fordonets tak kan taktältet fällas ner och täckas över med det medföljande tälthöljet.

Reglage

| Nr på bild 1 , sida 3 | Beskrivning | Förklaring |
|------------------------------|-------------|--|
| 1 | UPP-knapp | Sätter upp taktältet. |
| 2 | DOWN-knapp | Fäller ner taktältet. |
| 3 | STOP-knapp | Stoppar uppsättningen eller nedfällningen. |

Använda taktältet



VARNING! Risk för personskada

- Se till att taktältet sitter fast ordentligt på takräcket innan du klättrar upp på stegen.
- Se till att stegen är ordentligt fasthakad i taktältets basram innan du kliver in i eller ut ur taktältet.
- Var alltid försiktig när du klättrar på stegen.
- Stäng taktältets ingångsdörr innan du går och lägger dig så att du inte ramlar ut ur taktältet när du sover.
- Använd endast taktältets fjärrkontroll när du står på marken.



OBSERVERA! Risk för skada

Låt sidofönstren vara öppna medan du sätter upp eller fäller ner taktältet.

Före den första användningen

Bekanta dig med produkten genom att göra en testuppsättning innan produkten används på riktigt första gången. Kontrollera att allt finns som ska ingå i leveransen.

Montera taktältet



VARNING! Risk för personskada

- Se till att inga andra personer, särskilt inte barn, befinner sig nära fordonet när du och din medhjälpare lyfter upp taktältet på fordonets tak.
- Lyft upp taktältet på fordonets tak tillsammans med en kapabel medhjälpare så att du inte tappar taktältet.
- Montera taktältet parallellt med vägbanan och inte i vinkel så att lyftkraften inte blir för stor.
- Dra fast alla skruvar så att de sitter ordentligt.

Montera för elektrisk uppsättning

- Gå tillväga enligt bilderna (bild **2**, sida 3 – bild **4**, sida 3).

Montera för manuell uppsättning

- Se kapitel "Sätta upp taktältet manuellt" på sidan 41.

Sätta upp taktältet

Sätta upp taktältet elektriskt



VARNING! Risk för personskada

Lossa likströmskabeln från strömförsörjningen när du har satt upp taktältet.



ANVISNING

Sätt upp taktältet manuellt om den elektriska uppsättningen inte fungerar (se kapitel "Sätta upp taktältet manuellt" på sidan 41).

- Gå tillväga enligt bilderna (bild **5**, sida 4 – bild **10**, sida 5 och bild **17**, sida 7).

Sätta upp taktältet manuellt



VARNING! Risk för personskada

Försök inte byta stolparna medan taktältet är monterat på fordonets tak.



OBSERVERA! Materiell skada

Försök inte ta bort reservstolparna under taktältet medan taktältet är monterat på fordonets tak. Detta kan skada lacken på fordonets tak.

- Om taktältet redan är monterat på takracket, demontera först taktältet genom att utföra monteringen i omvänd ordning.
- Gå tillväga enligt bilderna (bild **11**, sida 5 – bild **17**, sida 7).

Fälla ner taktältet



WARNING! Risk för personskada

Se till att inga personer eller föremål finns i taktältet innan du fäller ner det.



OBSERVERA! Materiell skada

- Se till att taktältet är torrt när du fäller ner det och täcker över det.
- Om ramen innehåller vatten, ställ den upp för att låta vattnet rinna av.

- Gör som vid uppsättningen fast i omvänd ordning.

Förvara taktältet

Förvaring på fordonets tak



WARNING! Risk för personskada

- Av trafiksäkerhetsskäl och med tanke på bränsleförbrukning bör taktältet endast förvaras på fordonets tak under resor där det används.
- Ta bort taktältet när det inte ska användas under en längre tid och förvara det enligt kapitel "Långtidsförvaring" på sidan 42.
- Följ säkerhetsanvisningarna när du transporterar taktältet på fordonets tak (se kapitel "Säkerhetsanvisningar när taktältet transporteras på fordonets tak" på sidan 40).

- Fäll ner taktältet (se kapitel "Fälla ner taktältet" på sidan 42).
- Förvara stegen på det vikta taktältet (bild **18**, sida 7).
- Sätt tälthöljet på det vikta taktältet och dra igen tälthöljets mjuka remmar ordentligt.

Långtidsförvaring

- Demontera taktältet från takracket.
- Rengör vid behov taktältet (se kapitel "Rengöring och skötsel" på sidan 42.)
- Se till att taktältet är helt torrt innan du stuvar undan det.
- Förvara på en torr och välventilerad plats.

Rengöring och skötsel



WARNING! Risk för personskada

Var på marken när du rengör och underhåller taktältet. Klättra aldrig upp på fordonet för att rengöra taktältet medan det är monterat på taket.



OBSERVERA! Materiell skada

- Använd inte vassa eller hårda föremål eller rengöringsmedel för rengöringen.
- Använd inte alkoholbaserade material, kemikalier, såpa eller rengöringsmedel vid rengöring.
- Ta bort fågelspillning och tråkåda så snabbt som möjligt för att förhindra att materialet skadas permanent.



ANVISNING

- Sätt upp taktältet helt för rengöring.
- Välj en solig dag så att materialet kan torka ordentligt.

- Rengör vid behov produkten med rent ljummet vatten och en mjuk borste.
- Impregnera mot vattenfläckar och UV-strålning inför varje resa.

- Vårda sömmar och dragkedjor med passande produkter.
- Håll de motordrivna tryckstängerna rena genom att torka av dem med en ren och torr trasa.

Felsökning



ANVISNING

- Vid första exponeringen för vatten kan det finnas lite fukt vid sömmarna. Denna fukt gör att trådarna sväller och täpper igen hålen som bildades när tältet syddes.
- En fullutrustad reservdelssats ska innehålla:
 - Vattentätare
 - Reparationstejp och solution
 - Silikonspray för dragkedjorna
 - Reservpinnar

| Problem | Åtgärd |
|--|--|
| Vattenläckage | <ul style="list-style-type: none"> ➤ Se efter om det finns sömmar som läcker, skadad tejp eller fuktiga områden. ➤ Om du inte hittar några läckage, se kapitel "Kondens" på sidan 42. ➤ Applicera sömtättningsmedel om du hittar några läckage. |
| Reva i tyget | <ul style="list-style-type: none"> ➤ Använd reparationsstejp för att försluta tyget. ➤ Låt en auktoriserad specialist utföra reparationer. |
| Motorn eller fjärrkontrollen fungerar inte | <ul style="list-style-type: none"> ➤ Använd reservstolparna för manuell uppsättning (se kapitel "Sätta upp taktältet manuellt" på sidan 41). ➤ Låt en auktoriserad specialist utföra reparationer av elmotorn eller de motordrivna tryckstavarna. ➤ Byt ut batteriet i fjärrkontrollen. |
| Stegens hakar är slitna eller trasiga | <ul style="list-style-type: none"> ➤ Kontakta tillverkaren för byte. |
| Missljud när taktältet sätts upp eller fälls ner | <ul style="list-style-type: none"> ➤ Kontrollera stolparna och lederna. ➤ Låt en auktoriserad specialist utföra reparationer. |

Kondens

Alla tält utsätts för intern kondens om ett eller flera villkor gäller:

- Hög luftfuktighet
- Temperaturfall

Kraftig kondens kan rinna nedför insidan av taket och droppa från band och andra interna beslag och av misstag ses som läckage.

- Öka ventilationen genom att öppna dörrar och/eller fönster.

Avfallshantering

- Lämna om möjligt förpackningsmaterialet till återvinning.



När produkten slutgiltigt tas ur bruk: informera dig om gällande bestämmelser hos närmaste återvinningscentral eller hos återförsäljaren.

Garanti

Den lagstadgade garantitiden gäller. Kontakta din återförsäljare eller tillverkarens representant i ditt land (se dometic.com/dealer) om produkten är defekt.


Vid reparations och garantiärenden ska följande dokument skickas med när du returnerar produkten:

- En kopia på fakturan med inköpsdatum

- En reklamerationsbeskrivning eller felbeskrivning

Garantin täcker tillverkningsfel, material och delar. Garantin täcker inte blekning av skyddet och slitage på grund av UV-strålning, felaktig användning, skador som beror på olyckor, stormskador eller permanent, halvpermanent eller kommersiell användning. Den täcker inga skador som resultat av detta. Kontakta din återförsäljare vid reklamationer. Detta påverkar inte dina lagstadgade rättigheter.

Tekniska data

| | TRT120E |
|----------------------------------|---|
| Anslutningsspänning: | 12 V likström |
| Effektförbrukning: | 20 W |
| Minsta säkringsvärde på uttaget: | 10 A |
| Fjärrkontrollfrekvens: | 433 MHz |
| Skummadrassens tjocklek: | 5 cm |
| Mått innertält (B x H x D): | 120 x 100 x 200 cm |
| Mått yttertält (B x H x D): | 132 x 115 x 218 cm |
| Förpackningsmått (B x H x D): | 144 x 32 x 229 cm |
| Vikt (inklusive stege): | 53 kg |
| Överensstämmelse: |  |

Vennligst les disse instruksjonene nøye og følg alle instruksjoner, retningslinjer og advarsler som er inkludert i denne produktveiledningen for å sikre at du installerer, bruker og vedlikeholder produktet ordentlig til enhver tid. Disse instruksjonene MÅ følge med dette produktet.

Ved å bruke dette produktet bekrefter du at du har lest alle instruksjoner, retningslinjer og advarsler nøye, og at du forstår og aksepterer å overholde betingelsene og vilkårene slik de er presentert her. Du godtar å bruke dette produktet kun til tiltenkt formål og anvendelse, og i samsvar med instruksjonene, retningslinjene og advarslene slik de er presentert i denne produktveiledningen, så vel som i samsvar med alle gjeldende lovbestemmelser og forskrifter. Hvis instruksjonene og advarslene som er presentert her, ikke blir lest og fulgt, kan dette resultere i personskader hos deg selv eller andre, skade på produktet eller skade på annen eiendom i nærheten. Denne produktveiledningen, inkludert instruksjonene, retningslinjene og advarslene, samt relatert dokumentasjon, kan være underlagt endringer og oppdateringer. For oppdatert produktinformasjon, se dometic.com.



FARE!

Sikkerhetsregel: Hvis man ikke overholder disse instruksjonene, kan det føre til død eller alvorlig skade.



ADVARSEL!

Sikkerhetsregel: Hvis man ikke overholder denne regelen, kan det føre til død eller alvorlig skade.



PASS PÅ!

Unnlatelse av å følge disse instruksjonene kan medføre skade på materiale og svekke produktets funksjon.



MERK

Ytterligere informasjon om betjening av produktet.

Generelle sikkerhetsinstruksjoner



FARE! Hvis disse instruksjonene ikke overholdes, kan det oppstå alvorlige personskader, eventuelt med døden til følge.

Fare for karbonmonoksidforgiftning

- Brenseldrevne apparater, som f.eks. griller eller gassvarmeapparater, må aldri benyttes inne i takteltet. Forbrenningsprosessen produserer karbonmonoksid som akkumulerer inne i teltet, da det ikke er noen avtrekkskanal.



ADVARSEL! Manglende overholdelse av disse advarslene kan resultere i alvorlige personskader, eventuelt med døden til følge.

Brannfare

- Sørg for at du kjenner brannverntiltakene på stedet.
- Du må ikke tilberede mat eller bruke åpen ild i takteltet.

Kvelningsfare

- Sørg for at lufteåpningene er åpne til enhver tid for å unngå kvelning.

Fare for personskader

- Apparatet er ikke ment for bruk av personer (inkludert barn) med reduserte fysiske, sensoriske eller mentale evner.
- Ikke la barn leke med takteltet, og forsikre deg om at fjernkontrollen oppbevares utilgjengelig for barn til enhver tid.
- Rengjøring og vedlikehold må ikke utføres av barn.
- Undersøk alltid værmeldingen før du setter opp og benytter takteltet.
 - Ikke bruk takteltet hvis det forventes storm eller tordenvær.
 - Hvis tordenvær inntreffer, må du forlate takteltet umiddelbart og søke sikkerhet inne i kjøretøyet. Bli værende i kjøretøyet til tordenværet er over for å unngå å bli rammet av lynnedslag.
 - Ikke sett opp, bruk eller fold sammen takteltet i sterk vind.
 - Ikke fold sammen takteltet ved kraftig regn.
- Ikke bruk takteltet hvis deler eller komponenter har synlige skader. Ta kontakt med produsenten for råd.
- Bruk bare testede (f.eks. GS-sertifiserte) takstativer som er godkjent for bruk med kjøretøyet.



- Før montering av takteltet må du forsikre deg om at kjøretøyet og takstativet har tilstrekkelig bæreevne for takteltet og personene og gjenstandene inne i det.

PASS PÅ! Fare for skader

- Ikke utfør endringer på eller forsøk å reparere den elektriske motoren eller de elektriske skyvestengene.
- Ikke press takteltet ned når det foldes sammen.
- Hold fjernkontrollen tørr.



MERK

- Ha alltid håndbøkene for kjøretøyet og takstativet tilgjengelige, og følg anvisningene i disse.

Sikkerhet ved transport av takteltet på kjøretøytaket



ADVARSEL! Manglende overholdelse av disse advarslene kan resultere i alvorlige personskader, eventuelt med døden til følge.

Fare for personskader

- Kjør bare med takteltet på taket av kjøretøyet når takteltet er foldet sammen og dekket til med teltdekslet.
- Ikke kjør raskere enn 110 km/t med takteltet på taket av kjøretøyet.
- Ved starten på hver reise og med regelmessige mellomrom på turen må du kontrollere at takteltet er godt festet på takstativet og at teltdekslet sitter godt fast. Sørg alltid for at takteltet befinner deg på et trygt og egnet sted.
- Usikret last eller et ukorrekt montert takstativ eller taktelt kan gå tapt under reisen, og utsette andre trafikanter for fare hvis det faller av.
- Sørg for å oppbevare stigen korrekt på toppen av det sammenfoldede takteltet og under teltdekslet for å forhindre at stigen faller av og skader andre trafikanter under reisen.
- Tilpass kjøringen for å kompensere for høydeendringen på kjøretøyet (f.eks. ved sidevind, svinging og bremsing).
- Likestrømkabelen må kobles fra strømforsyningen under turen.
- Ikke sett opp eller fold sammen takteltet mens kjøretøyet beveger seg.



PASS PÅ! Fare for skader

- Takteltet øker høyden på kjøretøyet. Vær oppmerksom på lave passasjer, broer, lavhengende grener og andre hindringer.
- Fjern takteltet og takstativet ved bruk av automatiske bilvaskeanlegg.



MERK

- Når man kjører med takteltet på kjøretøytaket, kan det oppstå vindstøy.

Leveringsomfang

| Komponent | Antall |
|----------------------------|--------|
| Formontert taktelt | 1 |
| Teleskopstige av aluminium | 1 |
| Teltduk | 1 |
| Fjernkontroll | 1 |
| Likestrømkabel | 1 |
| Verktøyveske | 1 |
| Plastmuttere | 8 |
| M8 x 50 sekskantskrue | 8 |
| M8 skive | 8 |
| M8 låseskive | 8 |

| Komponent | Antall |
|-------------------------------------|--------|
| Skinnedeksel | 4 |
| U-brakett | 4 |
| Reservestang for manuell oppsetting | 2 |
| L-formet unbrakonøkkel | 2 |
| Skrutrekker | 1 |

Forskriftsmessig bruk

Dette takteltet er egnet for:

- Montering på et egnet takstativ på taket av et egnet kjøretøy
- lett til moderat vær
- rundreiser

Dette takteltet er **ikke** egnet for:

- Bruk av personer med nedsatte fysiske, sensoriske eller mentale evner
- svært sterk vind eller snøfall
- sesongparkering eller kommersiell bruk

Dette produktet er kun egnet for det tiltenkte formålet og anvendelsen i samsvar med disse instruksjonene.

Denne håndboken gir informasjon som er nødvendig for en ordentlig installasjon og/eller drift av produktet. Dårlig installasjon og/eller upassende drift eller vedlikehold vil resultere i en utilfredsstillende ytelse og en mulig svikt.

Produsenten påtar seg intet ansvar for personskader eller materielle skader på produktet som følge av:

- Ikke korrekt montering eller tilkobling, inkludert for høy spenning
- Ikke korrekt vedlikehold eller bruk av reservedeler foruten de originale reservedelene som leveres av produsenten
- Endringer på produktet uten at det er gitt uttrykkelig godkjenning av produsenten
- Bruk til andre formål enn det som er beskrevet i denne håndboken

Dometic forbeholder seg rettigheten til å endre produktet ytre og produktspesifikasjoner.

Trådløsutstyret i apparatet er i samsvar med kravene i EU-direktiv 2014/53/EU. En samsvarserklæring for apparatet finner du på documents.dometic.com.

Teknisk beskrivelse

Takteltet er utstyrt med en elektrisk motor og en fjernkontroll for oppsetting og sammenfolding. Den elektriske motoren er utstyrt med overopphetingsvern.

Takteltet kan også settes opp manuelt ved hjelp av de medfølgende reservestengene.

Takteltet har en skummadrass med høy tetthet.

For transport av takteltet på kjøretøytaket, kan takteltet foldes sammen og dekkes til med det medfølgende teltdekselet.

Betjeningselementer

| Nr. i fig. 1 , side 3 | Beskrivelse | Forklaring |
|------------------------------|-------------|---|
| 1 | OPP-knapp | For oppsettning av takteltet. |
| 2 | NED-knapp | For sammenfolding av takteltet. |
| 3 | STOPP-knapp | Stanser oppsettingen eller sammenfoldingen. |

Bruke takteltet



ADVARSEL! Fare for personskader

- Forsikre deg om at takteltet er godt festet til takstativet før du klatrer opp på stigen.
- Forsikre deg om at stigen er heftet godt inn på bunnrammen av takteltet før du klatrer opp i eller ned fra takteltet.
- Vær alltid forsiktig når du klatrer i stigen.
- Lukk inngangen til takteltet før du legger deg til å sove, slik at du ikke faller ut av takteltet i søvne.
- Fjernkontrollen må kun benyttes fra bakken til å styre takteltet.



PASS PÅ! Fare for skader

Hold sidevinduene åpne under oppsetting eller sammenfolding av takteltet.

Før første gangs bruk

Gjør deg kjent med produktet ved å utføre et testoppsett før produktet brukes for første gang. Sjekk at leveransen er komplett.

Montere takteltet



ADVARSEL! Fare for personskader

- Forsikre deg om at ingen andre personer, og særlig barn, befinner seg i nærheten av kjøretøyet når du og en hjelper løfter takteltet opp på taket av kjøretøyet.
- Løft takteltet opp på taket av kjøretøyet sammen med en annen person som kan sørge for å forhindre at takteltet faller ned.
- Monter takteltet parallelt med veibanen, og ikke i en vinkel som forårsaker sterk løftekraft.
- Fest alle skruer godt.

Montering for elektrisk oppsetting

- Gå frem som vist (fig. **2**, side 3 – fig. **4**, side 3).

Montering for manuell oppsetting

- Se kapittel «Sette opp takteltet manuelt» på side 45.

Sette opp takteltet

Sette opp takteltet elektrisk



ADVARSEL! Fare for personskader

Koble likestrømkabelen fra strømforsyningen etter at takteltet er satt opp.



MERK

Hvis den elektriske oppsettingen ikke fungerer, kan du sette opp takteltet manuelt (se kapittel «Sette opp takteltet manuelt» på side 45).

- Gå frem som vist (fig. **5**, side 4 – fig. **10**, side 5 og fig. **17**, side 7).

Sette opp takteltet manuelt



ADVARSEL! Fare for personskader

Ikke forsøk å bytte ut stengene mens takteltet er montert på toppen av kjøretøyet.



PASS PÅ! Materielle skader

Ikke forsøk å fjerne reservestengene fra undersiden av takteltet mens takteltet er montert på toppen av kjøretøyet. Det kan føre til skader i lakken på kjøretøyet.

1. Hvis takteltet allerede er montert på takstativet, demonteres takteltet først i motsatt rekkefølge av monteringen.
2. Gå frem som vist (fig. 11, side 5 – fig. 17, side 7).

Folde sammen takteltet



ADVARSEL! Fare for personskader

Forsikre deg om at ingen personer eller gjenstander befinner seg i takteltet før du folder det sammen.



PASS PÅ! Materielle skader

- Forsikre deg om at takteltet er tørt før du folder det sammen og dekker det til.
- Hvis det er vann i rammen, stilles den opp slik at vannet kan renne ut.

- Utfør oppsettprosedyren i motsatt rekkefølge.

Oppbevaring av takteltet

Oppbevaring på taket av kjøretøyet



ADVARSEL! Fare for personskader

- For andre trafikanters sikkerhet og for å spare drivstoff, bør takteltet bare oppbevares på taket under reisen.
- Når takteltet ikke lenger skal brukes på en stund, skal det tas av og lagres i henhold til kapittel «Oppbevaring i lengre tid» på side 46.
- Følg sikkerhetsanvisningene for transport av takteltet på kjøretøytaket (se kapittel «Sikkerhet ved transport av takteltet på kjøretøytaket» på side 44).

1. Fold sammen takteltet (se kapittel «Folde sammen takteltet» på side 46).
2. Oppbevar stigen på det sammenfoldede takteltet (fig. 18, side 7).
3. Sett teltdekslet på det sammenfoldede takteltet, og fest stroppene til teltet stramt.

Oppbevaring i lengre tid

1. Demonter takteltet fra takstativet.
2. Rengjør takteltet ved behov (se kapittel «Rengjøring og vedlikehold» på side 46.)
3. Forsikre deg om at takteltet er helt tørt før du pakker det bort.
4. Oppbevar på et godt ventilert, tørt sted.

Rengjøring og vedlikehold



ADVARSEL! Fare for personskader

Takteltet både rengjøres og vedlikeholdes mens det befinner seg på bakken. Klatre aldri opp på kjøretøyet for å rengjøre takteltet mens det er montert på taket.



PASS PÅ! Materielle skader

- Ikke bruk skarpe eller harde gjenstander eller rengjøringsmidler til rengjøring.
- Ikke benytt alkoholbaserte materialer, kjemikalier, såper og rengjøringsmidler til rengjøring.
- Fjern fuglemøkk og kvae så snart som mulig, for å unngå permanent skade på materialet.



MERK

- Sett opp takteltet helt for rengjøring.
- Velg en dag med sol for rengjøring for å være sikker på at materialet vil tørke godt.

- Ved behov kan produktet rengjøres med rent, lunkent vann og en myk børste.

- Påfør impregnering mot vann og UV-stråling før hver reise.
- Sørg for å pleie sømmer og glidelåser med egnede pleieprodukter.
- Hold de motoriserte skyvestengene rene ved å tørke dem av med en tørr klut.

Feilretting



MERK

- Under første eksponering for vann, kan det forekomme fuktighet i sømmene. På grunn av denne fuktigheten vil trådene svulme opp og fylle hullene som har oppstått i syprosessen.
- Et fullt utstyrt reservedelsett skal inneholde:
 - impregnering
 - reparasjonsteip og reparasjonsløsning
 - silikonspray for glidelåsene
 - reserveplugg

| Problem | Løsning |
|--|--|
| Vannlekkasje | <ul style="list-style-type: none"> ➤ Kontroller for sømmer som lekker, skadd teip og fuktige områder. ➤ Hvis ikke du finner noen lekkasjer, se kapittel «Kondens» på side 46. ➤ Hvis du finner lekkasjer, påføres sømforsegling. |
| Rift i teksten | <ul style="list-style-type: none"> ➤ Bruk reparasjonsteip for å forsegle teksten. ➤ Få reparasjoner utført av en autorisert spesialist. |
| Motoren eller fjernkontrollen fungerer ikke | <ul style="list-style-type: none"> ➤ Bruk reservestengene for manuell oppsetting (se kapittel «Sette opp takteltet manuelt» på side 45). ➤ Få den elektriske motoren eller de motoriserte skyvestengene reparert av en autorisert spesialist. ➤ Skift ut batteriet i fjernkontrollen. |
| Stigekrokene er slitte eller ødelagt | <ul style="list-style-type: none"> ➤ Ta kontakt med produsenten for reservedeler. |
| Støy ved oppsetting eller sammenfolding av takteltet | <ul style="list-style-type: none"> ➤ Inspiser stenger og skjøter. ➤ Få reparasjoner utført av en autorisert spesialist. |

Kondens

Alle telt får innvendig kondens ved ett eller flere av følgende forhold:

- høy luftfuktighet
- fall i temperatur

Sterk kondens kan renne ned innsiden av taket og dryppe fra bindinger, tape og andre innvendige beslag og kan forveksles med lekkasje.

- Øk ventilering ved å åpne dører og/eller vinduer.

Avfallsbehandling

- Lever emballasje til resirkulering så langt det er mulig.



Når du tar produktet ut av drift for siste gang, må du sørge for å få informasjon om deponeringsforskrifter hos nærmeste resirkuleringsstasjon eller hos din faghandler.

Garanti


Lovmessig garantitid gjelder. Hvis produktet er defekt: Ta kontakt med din forhandler eller produsentens filial i ditt land (se dometic.com/dealer).

Ved henvendelser vedrørende reparasjon eller garanti, må du sende med følgende dokumentasjon:

- Kopi av kvitteringen med kjøpsdato
- Årsak til reklamasjonen eller beskrivelse av feilen

Garantien dekker produksjonsfeil, materialer og deler. Garantien dekker ikke falming av duken og slitasje på grunn av UV-stråling, feil bruk, skader som skyldes uhell, skader som skyldes sterk vind, permanent eller delvis permanent eller kommersiell bruk. Den dekker heller ingen skader som følge av dette. Vennligst ta kontakt med forhandleren ved eventuelle krav. Dette påvirker ikke dine lovfestede rettigheter.

Tekniske spesifikasjoner

| | TRT120E |
|------------------------------------|---|
| Tilkoblingsspenning: | 12 V likestrøm (DC) |
| Effektforbruk: | 20 W |
| Minste strømkapasitet stikkontakt: | 10 A |
| Fjernkontrollfrekvens: | 433 MHz |
| Dybde madrass: | 5 cm |
| Mål innertelt (B x H x D): | 120 x 100 x 200 cm |
| Mål yttertelt (B x H x D): | 132 x 115 x 218 cm |
| Pakkmål (B x H x D): | 144 x 32 x 229 cm |
| Vekt (inkludert stige): | 53 kg |
| Komformitet: |  |

Lue nämä ohjeet huolellisesti ja noudata kaikkia tämän tuotteen käyttöohjeissa annettuja ohjeita, määräyksiä ja varoituksia. Näin varmistat, että tuotteen asennus, käyttö ja huolto sujuu aina oikein. Näiden ohjeiden TÄYTYJÄÄDÄ tuotteen yhteyteen.

Käyttämällä tuotetta vahvistat lukeneesi kaikki ohjeet, määräykset ja varoitukset huolellisesti ja että ymmärrät ja hyväksyt tässä annetut ehdot. Sitoudut käyttämään tuotetta ainoastaan sen käyttötarkoitukseen ja ilmoitetuissa käyttökohteissa ja noudattaen tässä tuotteen käyttöohjeessa annettuja ohjeita, määräyksiä ja varoituksia sekä voimassa olevia lakeja ja määräyksiä. Tässä annettujen ohjeiden ja varoitusten lukematta ja noudattamatta jättäminen voi johtaa omaan tai muiden loukkaantumiseen, tuotteen vaurioitumiseen tai muiden, ympärillä olevien esineiden vaurioitumiseen. Tähän tuotteen käyttöohjeeseen, ohjeisiin, määräyksiin ja varoituksiin sekä ohjeis- ja ohjeistukseen voidaan tehdä muutoksia ja niitä voidaan päivittää. Katso ajantasaiset tuotetiedot osoitteesta dometic.com.



VAARA!

Turvallisuusohjeet: Tämän ohjeen noudattamatta jättäminen johtaa kuolemaan tai vakavaan loukkaantumiseen.



VAROITUS!

Turvallisuusohjeet: Näiden ohjeiden noudattamatta jättäminen voi johtaa kuolemaan tai vakavaan loukkaantumiseen.



HUOMAUTUS!

Tämän ohjeen noudattamatta jättäminen voi aiheuttaa materiaalivaurioita ja heikentää tuotteen toimivuutta.



OHJE

Tuotteen käyttöä koskevia lisätietoja.

Yleisiä turvallisuusohjeita



VAARA! Näiden ohjeiden noudattamatta jättäminen johtaa kuolemaan tai vakavaan loukkaantumiseen.

Häkämyrkytysvaara

- Älä missään tapauksessa käytä polttoaineella toimivia laitteita kuten grillejä tai kaasulämmittimiä kattoteltan sisällä. Palaminen synnyttää häkää, joka kerääntyy teltan sisään, koska savuhormia ei ole.



VAROITUS! Näiden varoitusten noudattamatta jättäminen voi johtaa kuolemaan tai vakavaan vammaan.

Palovaara

- Varmista, että tunnet käyttöpaikan palontorjuntajärjestelyt.
- Kattoteltassa ei saa laittaa ruokaa eikä käyttää avotulta.

Tukehtumisvaara

- Varmista tukehtumisen ehkäisemiseksi, että ilmanvaihtoaukot ovat jatkuvasti auki.

Loukkaantumiskaava

- Laitetta ei ole tarkoitettu fyysisiltä, aistinvaraisilta tai henkisesti kyvyiltään rajoittuneiden henkilöiden (myöskään lasten) käytettäväksi.
- Älä anna lasten leikkiä kattoteltalla ja varmista, että kaukosäädintä säilytetään aina lasten ulottumattomissa.
- Lapset eivät saa puhdistaa laitetta eivätkä ryhtyä käyttäjän suoritettavaksi tarkoitettuihin huoltotoihin.
- Tarkista aina sääennuste ennen kattoteltan pystytystä ja käyttöä.
 - Älä käytä kattotelttaa, jos sääennusteessa varoitetaan myrskystä tai ukonilmasta.
 - Jos ukonilma pääsee yllättämään, poistu kattoteltasta viipymättä ja mene turvaan ajoneuvon sisään. Pysy ajoneuvon sisällä, kunnes ukonilma on ohi, jotta et altistu salaman iskulle.
 - Älä pystytä tai käytä kattotelttaa äläkä taita sitä kokoon kovalla tuulella.
 - Älä taita kattotelttaa kokoon rankkasateella.
- Älä käytä kattotelttaa, jos siinä on missään kohtaa näkyviä vaurioita. Ota yhteyttä valmistajaan ja pyydä apua.
- Käytä vain testattuja (esim. GS-testattuja) kattotelineitä, jotka on hyväksytty käytettäväksi omassa ajoneuvossasi.



- Varmista ennen kattoteltan asennusta, että ajoneuvosi ja kattotelineesi kantokyky riittää kattoteltalle sekä ihmisille ja esineille, joiden on määrä olla kattoteltan sisällä.

HUOMAUTUS! Vahingonvaara

- Älä tee muutoksia sähkömoottoriin tai sähkötoimisiin työntankoihin äläkä yritä korjata niitä.
- Älä paina kattotelttaa sen ollessa kokoon taitettuna.
- Pidä kaukosäädin kuivana.



OHJE

- Pidä ajoneuvon ja kattotelineen käyttöohjeet aina mukana ja noudata ohjeita.

Turvallisuus kuljettaessa kattotelttaa ajoneuvon katolla



VAROITUS! Näiden varoitusten noudattamatta jättäminen voi johtaa kuolemaan tai vakavaan vammaan.

Loukkaantumiskaava

- Kattoteltan täytyy olla kokoon taitettuna ja suojattuna oikein teltan suojuksella aina, kun ajoneuvolla ajetaan kattoteltan ollessa ajoneuvon katolla.
- Älä ylitä ajonopeutta 110 km/h kattoteltan ollessa ajoneuvosi katolla.
- Tarkasta aina matkan aluksi ja säännöllisin väliajoin matkan aikana, että kattoteltta on kiinnitetty tukevasti kattotelineeseen ja että teltan suojus on kiinnitetty turvallisesti. Varmista aina siitä, että kattoteltta on turvallisessa ja tarkoituksenmukaisessa paikassa.
- Jos kuormaa ei ole varmistettu tai jos kattoteline tai kattoteltta on asennettu väärin, ne voivat irrota matkalla ja pudotessaan loukata muita tielläliikkuja.
- Varmista, että tikkaat on sijoitettu oikein kokoontaitetun kattoteltan päälle ja teltan suojuksen alle, jotta tikkaat eivät pääse putoamaan ja loukkaamaan muita tiellä liikkuja matkan aikana.
- Muista sovittaa ajotapasi (esim. sivutuulen huomioon ottaminen, kääntymiset ja jarrutuskäyttäytyminen) ajoneuvon muuttuneeseen korkeuteen.
- Tasavirtajohto täytyy irrottaa pistorasiasta matkan ajaksi.
- Älä pystytä kattotelttaa äläkä taita sitä kokoon ajoneuvon liikkeessä.



HUOMAUTUS! Vahingonvaara

- Kattoteltta kasvattaa ajoneuvon korkeutta. Ole varovainen ajaessasi matalien sisäänajoreittien kautta ja matalien siltojen, alhaalla roikkuvien oksien ja muiden esineiden ali.
- Ota kattoteltta ja kattoteline pois automaattisen autonpeusun ajaksi.



OHJE

- Viima voi aiheuttaa ääniä, kun ajetaan kattoteltan ollessa ajoneuvon katolla.

Toimituskokonaisuus

| Osa | Määrä |
|-------------------------------|-------|
| Valmiiksi koottu kattoteltta | 1 |
| Alumiiniset teleskoopitikkaat | 1 |
| Teltan suojus | 1 |
| Langaton kaukosäädin | 1 |
| Tasavirtajohto | 1 |
| Työkalulaukku | 1 |
| Muoviset mutterit | 8 |

| Osa | Määrä |
|----------------------------------|-------|
| Kuusiokantaruuvi M8 x 50 | 8 |
| Tasainen aluslevy M8 | 8 |
| Jousialuslevy M8 | 8 |
| Kiskonsuojus | 4 |
| U-kiinnike | 4 |
| Varatanko käsinpystytystä varten | 2 |
| L-kuusiokoloavain | 2 |
| Ruuvimeisseli | 1 |

Käyttötarkoitus

Tämä kattotelta sopii seuraaviin:

- asennettavaksi tarkoitukseen sopivaan kattotelineeseen tarkoitukseen sopivan ajoneuvon katolle
- hyvä – kohtalainen sää
- retkeily

Tämä kattotelta **ei** sovi seuraaviin:

- fyysisiltä, aistinvaraisilta tai henkisiltä kyvyiltään rajoittuneiden henkilöiden käytettäväksi
- hyvin voimakas tuuli tai lumisade
- koko sesongin kestävään pystytykseen tai kaupalliseen käyttöön

Tämä tuote soveltuu ainoastaan näissä ohjeissa ilmoitettuun käyttötarkoitukseen ja käyttökohteeseen.

Näistä ohjeista saat tuotteen asianmukaiseen asennukseen ja/tai käyttöön tarvittavat tiedot. Väärin tehdyn asennuksen ja/tai väärän käyttötavan tai vääränlaisen huollon seurauksena laite ei toimi tyydyttävästi, ja se saattaa mennä epäkuuntoon.

Valmistaja ei ota vastuuta tapaturmista tai tuotevaurioista, jotka johtuvat seuraavista:

- Väärin tehty kokoaminen tai sähköliitäntä, ylijännite mukaan lukien
- Väärin tehty huolto tai muiden kuin valmistajalta saatavien alkuperäisten varaosien käyttö
- tuotteeseen ilman valmistajan nimenomaista lupaa tehdyt muutokset
- käyttö muuhun kuin tässä ohjeessa ilmoitettuun tarkoitukseen

Dometic pidättää itsellään oikeuden muutoksiin tuotteen ulkonäössä ja spesifikaatioissa.

Laitteen radiolaitteisto vastaa direktiivin 2014/53/EU vaatimuksia. Löydät laitteen vaatimustenmukaisuusvakuutuksen osoitteesta documents.dometic.com.

Tekninen kuvaus

Tässä kattotellassa on sähkömoottori ja langaton kaukosäädin pystytystä ja kokoontaittoa varten. Sähkömoottorissa on ylikuumentussuoja.

Kattoteltaa voi pystyttää myös käsin, jolloin käytetään telan mukana toimittavia varatankoja.

Kattoteltaan kuuluu tiheä vaahtomuovipatja.

Kattoteltaa voidaan kuljettaa ajoneuvon katolla kokoon taitettuna ja mukana toimitetulla telan suojuksella suojattuna.

Käyttölaitteet

| Kohde – kuva 1, sivulla 3 | Kuvaus | Selitys |
|---------------------------|--------------|--|
| 1 | YLÖS-painike | Pystyttää kattoteltaa. |
| 2 | ALAS-painike | Taittaa kattoteltaa kokoon. |
| 3 | SEIS-painike | Pysäyttää pystytyksen ja kokoontaiton. |

Kattoteltaa käyttö



VAROITUS! Loukkaantumisvaara

- Varmista, että kattoteltaa on kiinnitetty kattotelineeseen tukevasti ennen kuin kiipeät tikkaile.
- Varmista, että tikkaiden koukut ovat tarttuneet telan pohjarunkoon tukevasti ennen kuin kiipeät kattoteltaan tai sieltä pois.
- Ole aina varovainen, kun kiipeät tikkaita.
- Sulje kattoteltaa sisäänkäynti ennen nukkumaan menoa, jotta et nukkuessasi pääse putoamaan kattoteltaa.
- Käytä kaukosäädintä kattoteltaa ohjaamiseen vain maasta käsin.



HUOMAUTUS! Vahingonvaara

Pidä sivuikkunat auki, kun pystytät kattoteltaa tai taitat sitä kokoon.

Ennen ensimmäistä käyttökertaa

Tutustu tuotteeseen pystyttämällä se kokeeksi ennen kuin käytät tuotetta ensimmäisen kerran. Tarkasta, että toimituskokonaisuus on täydellinen.

Kattoteltaa asennus



VAROITUS! Loukkaantumisvaara

- Varmista, että ajoneuvon lähellä ei ole muita, etenkin lapsia, kun nostatte kattoteltaa yhdessä avustajan kanssa ajoneuvon katolle.
- Ota toinen henkilö avuksi, kun nostat kattoteltaa ajoneuvon katolle, jotta kattoteltaa ei pääse putoamaan.
- Asenna kattoteltaa tien linjan suuntaisesti, älä kulmassa, jotta nostovoima ei kasva liian suureksi.
- Kiinnitä kaikki ruuvit niin, että ne ovat riittävän tukevasti kiinni.

Asennus sähkötoimista pystytystä varten

- Toimi kuvien mukaisesti (kuva 2, sivulla 3 – kuva 4, sivulla 3).

Asennus käsin tehtävää pystytystä varten

- Katso kap. "Kattoteltaa pystytys käsin" sivulla 50.

Kattoteltaa pystytys

Kattoteltaa pystytys sähkötoimisesti



VAROITUS! Loukkaantumisvaara

Irrota tasavirtajohto virtalähteestä, kun kattoteltaa on pystytetty.



OHJE

Jos sähkötoiminen pystytys ei toimi, pystytä kattoteltaa käsin (ks. kap. "Kattoteltaa pystytys käsin" sivulla 50).

- Toimi kuvien mukaisesti (kuva 5, sivulla 4 – kuva 10, sivulla 5 ja kuva 17, sivulla 7).

Kattotelan pystytys käsin



VAROITUS! Loukkaantumiswaara

Älä yritä vaihtaa tankoja kattotelan ollessa asennettuna ajoneuvon katolle.



HUOMAUTUS! Materiaalivaurio

Älä yritä ottaa varatankoja kattotelan alta kattotelan ollessa asennettuna ajoneuvon katolle. Ajoneuvon maalipinta saattaisi vaurioitua.

1. Jos kattotelta on jo asennettuna kattotelineeseen, irrota kattotelta ensin tekemällä asennusvaiheet päinvastaisessa järjestyksessä.
2. Toimi kuvien mukaisesti (kuva **11**, sivulla 5 – kuva **17**, sivulla 7).

Kattotelan taittaminen kokoon



VAROITUS! Loukkaantumiswaara

Varmista, että kattotelassa ei ole ketään eikä mitään, ennen kuin taitat kattotelan kokoon.



HUOMAUTUS! Materiaalivaurio

- Varmista, että kattotelta on kuiva, kun taitat sen kokoon ja peität sen.
- Jos rungossa on vettä, pystytä runko, jotta vesi pääsee valumaan pois.

- Toimi pystytykseen nähden käänteisessä järjestyksessä.

Kattotelan säilytys

Säilytys ajoneuvon katolla



VAROITUS! Loukkaantumiswaara

- Muiden tielläliikkujien turvallisuuden vuoksi ja polttonesteen säästämiseksi kattoteltaa kannattaa säilyttää ajoneuvon katolla vain matkailun aikana.
- Ota kattotelta pois, kun sitä ei ole vähään aikaan tarkoitus käyttää, ja varastoi se ohjeiden mukaisesti, ks. kap. "Pitkäaikainen varastointi" sivulla 50.
- Noudata turvaohjeita, jotka koskevat kattotelan kuljetusta ajoneuvon katolla (ks. kap. "Turvallisuus kuljetuksessa kattoteltaa ajoneuvon katolla" sivulla 48).

1. Taita kattotelta kokoon (ks. kap. "Kattotelan taittaminen kokoon" sivulla 50).
2. Säilytä tikkaita kokoonaitetun kattotelan päällä (kuva **18**, sivulla 7).
3. Pane teltan suojuksen kokoonaitetun kattotelan suojaeksi ja kiinnitä teltan suojuksen kiinnityshihnat tiukasti.

Pitkäaikainen varastointi

1. Irrota kattotelta kattotelineestä.
2. Puhdista kattotelta tarvittaessa (ks. kap. "Puhdistus ja hoito" sivulla 50).
3. Varmista, että kattotelta on kuivunut kokonaan, ennen kuin pakkaat sen säilytystä varten.
4. Säilytä kuivassa tuuletetussa paikassa.

Puhdistus ja hoito



VAROITUS! Loukkaantumiswaara

Kattoteltaa saa puhdistaa ja huoltaa vain maassa. Älä missään tapauksessa kipeä ajoneuvon päälle puhdistamaan kattoteltaa sen ollessa asennettuna katolle.



HUOMAUTUS! Materiaalivaurio

- Älä käytä puhdistukseen teräviä tai kovia esineitä tai puhdistusaineita.
- Älä käytä puhdistamiseen alkoholipohjaisia aineita, kemikaaleja, saippuaa äläkä puhdistusaineita.
- Poista lintujen jätökset ja pihka mahdollisimman pian, jotta materiaaliin ei tule pysyvää vauriota.



OHJE

- Pystytä kattotelta kokonaan puhdistusta varten.
- Valitse puhdistamiseen aurinkoinen päivä, jotta materiaali kuivuu perusteellisesti.

- Puhdista tuote tarvittaessa puhtaalla, haalealla vedellä ja pehmeällä harjalla.
- Suojaa pinta vesitahroilta ja UV-säteilyltä kyllästeaineella ennen jokaista matkaa.
- Suojaa saumat ja vetoketjut tarkoitukseen sopivilla hoitotuotteilla.
- Pidä moottorikäyttöiset työntötangot puhtaina pyyhkimällä ne puhtaalla, kuivalla liinalla.

Vianetsintä



OHJE

- Vesikosketuksen aikana saumoihin voi ilmestyä kosteutta. Tämän kosteuden ansiosta langat turpoavat ja täyttävät ompeluprosessin aikana syntyneet reiät.
- Täydelliseen varaosasarjaan tulisi sisältyä:
 - kyllästysaine
 - korjausteippi ja korjaussarja
 - vetoketjujen silikonisuihke
 - lisäkiilat

| Ongelma | Ratkaisu |
|---|--|
| Vesivuoto | <ul style="list-style-type: none">► Tarkasta, vuotavatko saumat, onko teippauksissa vaurioita ja löytyykö märkiä kohtia.► Jos et löydä vuotoja, katso kap. "Veden tiivistyminen" sivulla 50.► Jos löydät vuotoja, käytä saumatiivistettä. |
| Kankaassa on repeämä | <ul style="list-style-type: none">► Korjaa kangas paikkausteipillä.► Anna valtuutetun ammattilaisen tehdä korjaukset. |
| Moottori tai kaukosäädin ei toimi | <ul style="list-style-type: none">► Käytä käsin pystytystä varten toimitettuja varatankoja (ks. kap. "Kattotelan pystytys käsin" sivulla 50).► Korjauta sähkömoottori ja moottorikäyttöiset työntötangot valtuutetulla ammattilaisella.► Vaihda kaukosäätimen paristo. |
| Tikkaan koukut ovat kuluneet tai rikkoutuneet | <ul style="list-style-type: none">► Ota yhteyttä valmistajaan ja pyydä vaihtoa. |
| Melua kattotelan pystytyksen tai kokoonaiton aikana | <ul style="list-style-type: none">► Tarkasta tangot ja liitokset.► Anna valtuutetun ammattilaisen tehdä korjaukset. |

Veden tiivistyminen

Kaikkiin teltoihin tiivisty kosteutta, jos yksi tai useampi seuraavista oloista ilmenee:

- suuri ilmankosteus
- lämpötilan putoaminen

Voimakas tiivistyminen voi johtaa veden valumiseen katon sisäpuolella ja tippumiseen solmuista, teipeistä ja muista sisäkiinnityksistä. Tätä voi luulla vuoksi.

- Lisää tuuletusta avaamalla ovet ja/tai ikkunat.

Hävittäminen

- Vie pakkausmateriaali mahdollisuuksien mukaan vastaavan kierrätysjätteen joukkoon.



Jos poistat tuotteen lopullisesti käytöstä, pyydä tietoa sen hävittämistä koskevista määräyksistä lähimmästä kierrätyskeskuksesta tai ammattiliikkeestäsi.

Takuu

Tuotetta koskee lakisääteinen tuotevastuu-aika. Jos tuote on viallinen, ota yhteyttä jälleenmyyjään tai valmistajan toimipisteeseen omassa maassasi (ks. dometic.com/dealer).

Jos lähetät tuotteen korjattavaksi, liitä korjaus- ja takuukäsittelyä varten mukaan seuraavat asiakirjat:

- Kopio kuitista, jossa näkyy ostopäivä
- Valitusperuste tai vikakuvaus

Takuu kattaa valmistusvirheet, materiaalit ja osat. Takuu ei kata päällysteen haalistumista eikä UV-säteilystä johtuvaa kulumista, väärinkäyttöä, vahingoista syntyneitä vaurioita, myrskyvaurioita eikä jatkuvaa, osittain jatkuvaa eikä kaupallista käyttöä. Se ei kata seurannaisvaurioita. Jos sinulla on aiheutta valitukseen, ota yhteyttä jälleenmyyjään. Tämä ei rajoita lakisääteisiä oikeuksiasi.

Tekniset tiedot

| | TRT120E |
|---------------------------------|---|
| Liitäntäjännite: | 12 V DC |
| Tehonkulutus: | 20 W |
| Pistorasian vähimmäisvirta: | 10 A |
| Kaukosäätimen taajuus: | 433 MHz |
| Vaahtomuovipatjan paksuus: | 5 cm |
| Sisäteltan mitat (L x K x S): | 120 x 100 x 200 cm |
| Päälliteltan mitat (L x K x S): | 132 x 115 x 218 cm |
| Pakkauksen mitat (L x K x S): | 144 x 32 x 229 cm |
| Paino (tikkaat mukaan lukien): | 53 kg |
| Vaatimustenmukaisuus: |  |

Пожалуйста, внимательно прочтите и соблюдайте все указания, рекомендации и предупреждения, содержащиеся в этом руководстве по использованию изделия, чтобы гарантировать правильную установку, использование и обслуживание изделия. Эта инструкция ДОЛЖНА оставаться вместе с этим изделием.

Используя изделие, вы тем самым подтверждаете, что внимательно прочитали все указания, рекомендации и предупреждения, а также, что вы понимаете и соглашаетесь соблюдать положения и условия, изложенные в настоящем документе. Вы соглашаетесь использовать это изделие только по прямому назначению и в соответствии с указаниями, рекомендациями и предупреждениями, изложенными в данном руководстве по использованию изделия, а также в соответствии со всеми применимыми законами и правилами. Несоблюдение указаний и предупреждений, изложенных в данном документе может привести к травмам вас и других лиц, повреждению вашего изделия или повреждению другого имущества, находящегося поблизости. Данное руководство по использованию изделия, включая указания, рекомендации и предупреждения, а также сопутствующую документацию, может подвергаться изменениям и обновлениям. Актуальную информацию о продукте можно найти на сайте dometic.com.



ОПАСНОСТЬ!

Указание по технике безопасности, указывающее на опасную ситуацию, которая ведет к смерти или серьезной травме, если ее не предотвратить.



ПРЕДУПРЕЖДЕНИЕ!

Указание по технике безопасности, указывающее на опасную ситуацию, которая может привести к смерти или серьезной травме, если ее не предотвратить.



ВНИМАНИЕ!

Указание на ситуацию, которая может привести к материальному ущербу, если ее не предотвратить.



УКАЗАНИЕ

Дополнительная информация по управлению продуктом.

Общие указания по технике безопасности



ОПАСНОСТЬ! Несоблюдение этого указания ведет к смерти или серьезной травме.

Опасность отравления угарным газом

- Запрещается использовать устройства с горением топлива, такие как барбекюшницы или газовые нагреватели, внутри накрывной палатки. В процессе горения образуется угарный газ, который скапливается внутри палатки, поскольку отсутствует дымоход.



ПРЕДУПРЕЖДЕНИЕ! Несоблюдение этих предупреждений может привести к смерти или серьезной травме.

Опасность возникновения пожара

- Убедитесь, что вы знаете меры предосторожности при пожаре на месте.
- Не готовьте пищу внутри накрывной палатки и не используйте открытый огонь.

Опасность удушья

- Убедитесь, что вентиляционные отверстия постоянно открыты, чтобы избежать удушья.

Опасность получения травм

- Данное устройство не предназначено для использования лицами (включая детей) с ограниченными физическими, сенсорными или умственными способностями.
- Не позволяйте детям играть с накрывной палаткой и следите за тем, чтобы пульт дистанционного управления все время хранился в недоступном для детей месте.
- Запрещается выполнять очистку и пользовательское техническое обслуживание детям.

- Всегда проверяйте прогноз погоды, прежде чем устанавливать и использовать накрывную палатку.
 - Не используйте накрывную палатку, если предсказана гроза или штормовой ветер.
 - Если вы попали в грозу, немедленно покиньте накрывную палатку и перейдите в безопасное место в своем автомобиле. Оставайтесь в своем автомобиле до тех пор, пока гроза не закончится, чтобы избежать удара молнии.
 - Не устанавливайте, не используйте и не складывайте накрывную палатку, если на улице очень ветрено.
 - Не складывайте накрывную палатку во время сильного дождя.
- Не используйте накрывную палатку, если какая-либо часть или любой из ее компонентов имеют заметные повреждения. Обратитесь к производителю за помощью.
- Используйте только испытанные (например, испытанные согласно GS) багажники на крыше, которые одобрены для использования с вашим автомобилем.
- Перед установкой накрывной палатки убедитесь, что ваш автомобиль и багажник на крыше обеспечивают достаточную грузоподъемность для палатки, а также людей и предметов, которые должны находиться внутри палатки.



ВНИМАНИЕ! Риск повреждения

- Не модифицируйте и не пытайтесь отремонтировать электродвигатель или электрические толкатели.
- Не нажимайте на накрывную палатку, когда она сложена.
- Держите пульт дистанционного управления сухим.



УКАЗАНИЕ

- Всегда держите при себе руководства по эксплуатации автомобиля и багажника на крыше и следуйте их указаниям.

Соблюдайте инструкции по технике безопасности при транспортировке палатки на крыше автомобиля



ПРЕДУПРЕЖДЕНИЕ! Несоблюдение этих предупреждений может привести к смерти или серьезной травме.

Опасность получения травм

- Передвигайтесь с палаткой на крыше вашего автомобиля только в том случае, если палатка сложена и правильно накрыта чехлом.
- Не ездите быстрее 110 км/ч с палаткой на крыше вашего автомобиля.
- В начале каждой поездки и через регулярные промежутки времени в течение каждой поездки убедитесь, что накрывная палатка прочно прикреплена к багажнику на крыше и что чехол палатки надежно закреплен. Всегда следите за тем, чтобы ваша накрывная палатка находилась в безопасном и подходящем месте.
- Незакрепленные грузы и неправильно установленный багажник на крыше или накрывная палатка могут быть потеряны во время поездки и, упав, травмировать других участников дорожного движения.
- Убедитесь, что лестница правильно хранится поверх сложенной накрывной палатки и под чехлом палатки, чтобы лестница не упала и не травмировала других участников дорожного движения во время поездки.

- Обязательно адаптируйте свою манеру вождения (например, чувствительность к боковому ветру, повороты и торможение), чтобы учесть изменение высоты автомобиля.
- Кабель питания постоянного тока во время поездки должен быть отсоединен от источника питания.
- Не устанавливайте и не складывайте накрывную палатку во время движения автомобиля.



ВНИМАНИЕ! Риск повреждения

- Накрывная палатка увеличивает высоту автомобиля. Остерегайтесь низких въездов, низких мостов, низко висящих ветвей и других препятствий.
- Снимите накрывную палатку и багажник на крыше при использовании автоматической автомойки.



УКАЗАНИЕ

- Шум ветра может возникать при движении с палаткой на крыше транспортного средства.

Комплект поставки

| Деталь | Количество |
|--|------------|
| Предварительно собранная накрывная палатка | 1 |
| Телескопическая алюминиевая лестница | 1 |
| Чехол палатки | 1 |
| Беспроводной пульт дистанционного управления | 1 |
| Кабель питания постоянного тока | 1 |
| Сумка для инструментов | 1 |
| Пластиковые гайки | 8 |
| Винт с шестигранной головкой М8 x 50 | 8 |
| Плоская шайба М8 | 8 |
| Разъемная шайба М8 | 8 |
| Коппачок направляющей | 4 |
| U-образный кронштейн | 4 |
| Запасная штанга для ручной установки | 2 |
| G-образный шестигранный ключ | 2 |
| Отвертка | 1 |

Использование по назначению

Эта накрывная палатка подходит для:

- установки на подходящий багажник на крыше подходящего транспортного средства
- легких и умеренных погодных условий
- туризма

Эта накрывная палатка **не** подходит для:

- использования лицами с ограниченными физическими, сенсорными или умственными способностями
- очень сильного ветра или снегопада
- сезонной стоянки или коммерческого использования

Это изделие подходит только для использования по назначению и применения в соответствии с данной инструкцией.

В данной инструкции содержится информация, необходимая для правильного монтажа и/или эксплуатации изделия. Неправильный монтаж и/или ненадлежащая эксплуатация или техническое обслуживание приводят к неудовлетворительной работе и возможному отказу.

Изготовитель не несет ответственности за какие-либо травмы или повреждение продукта в результате следующих причин:

- Неправильная сборка или подключение, включая повышенное напряжение
- Неправильное техническое обслуживание или использование запасных частей, отличных от оригинальных запасных частей, предоставленных изготовителем
- Изменения в продукте, выполненные без однозначного разрешения изготовителя
- Использование в целях, отличных от указанных в данной инструкции

Компания Dometic оставляет за собой право изменять внешний вид и технические характеристики продукта.

Радиооборудование устройства соответствует требованиям Директивы 2014/53/ЕС. Вы найдете декларацию соответствия для устройства на сайте documents.dometic.com.

Техническое описание

Эта накрывная палатка оснащена электродвигателем и беспроводным пультом дистанционного управления для установки и складывания. Электродвигатель оснащен защитой от перегрева.

Накрывную палатку также можно установить вручную, используя прилагаемые запасные штанги.

В накрывной палатке установлен матрас из пенопласта высокой плотности.

Для транспортировки на крыше транспортного средства накрывную палатку можно сложить и накрыть прилагаемым чехлом.

Элементы управления

| Поз. на рис. 1, стр. 3 | Наименование | Пояснение |
|------------------------|--------------|--|
| 1 | Кнопка UP | Устанавливает накрывную палатку. |
| 2 | Кнопка DOWN | Складывает накрывную палатку. |
| 3 | Кнопка STOP | Останавливает процесс установки и складывания. |

Использование накрывной палатки



ПРЕДУПРЕЖДЕНИЕ! Опасность получения травм

- Убедитесь, что накрывная палатка прочно прикреплена к багажнику на крыше, прежде чем подниматься по лестнице.
- Убедитесь, что лестница прочно закреплена в раме накрывной палатки, прежде чем входить или выходить из палатки.
- Всегда поднимайтесь по лестнице с осторожностью.
- Закройте входную дверь накрывной палатки перед сном, чтобы не выпасть из палатки во время сна.
- Используйте только пульт дистанционного управления для управления палаткой с земли.



ВНИМАНИЕ! Риск повреждения

Держите боковые окна открытыми, устанавливая или складывая накрывную палатку.

Перед первым использованием

Ознакомьтесь с изделием, выполнив тестовую настройку перед первым использованием изделия. Проверьте полноту комплекта поставки.

Монтаж накрывной палатки



ПРЕДУПРЕЖДЕНИЕ! Опасность получения травм

- Убедитесь, что рядом с автомобилем нет других людей, особенно детей, когда вы и ваш помощник поднимаете палатку на крышу автомобиля.
- Поднимите палатку на крышу вашего автомобиля вместе с другим умелым человеком, чтобы предотвратить падение палатки.
- Установите накрывную палатку параллельно линии дороги, а не под углом, чтобы избежать создания чрезмерной подъемной силы.
- Затяните все винты так, чтобы они были достаточно надежно закреплены.

Монтаж при электрической установке

- ▶ Соблюдайте порядок действий, как показано (рис. 2, стр. 3 – рис. 4, стр. 3).

Монтаж при ручной установке

- ▶ См. гл. «Ручная установка накрывной палатки» на стр. 54.

Установка накрывной палатки

Электрическая установка накрывной палатки



ПРЕДУПРЕЖДЕНИЕ! Опасность получения травм

После установки накрывной палатки отсоедините кабель питания постоянного тока от источника питания.



УКАЗАНИЕ

Если электрическая установка не работает, установите накрывную палатку вручную (см. гл. «Ручная установка накрывной палатки» на стр. 54).

- ▶ Соблюдайте порядок действий, как показано (рис. 5, стр. 4 – рис. 10, стр. 5 и рис. 17, стр. 7).

Ручная установка накрывной палатки



ПРЕДУПРЕЖДЕНИЕ! Опасность получения травм

Не пытайтесь заменить штанги, пока накрывная палатка установлена на крыше автомобиля.



ВНИМАНИЕ! Материальный ущерб

Не пытайтесь извлечь запасные штанги из-под накрывной палатки, пока палатка установлена на крыше автомобиля. Это может повредить красочное покрытие автомобиля.

1. Если накрывная палатка уже установлена на багажнике на крыше, сначала демонтируйте палатку, изменив процедуру монтажа.
2. Соблюдайте порядок действий, как показано (рис. 11, стр. 5 – рис. 17, стр. 7).

Складывание накрывной палатки



ПРЕДУПРЕЖДЕНИЕ! Опасность получения травм

Убедитесь, что в накрывной палатке нет людей или предметов, прежде чем складывать ее.



ВНИМАНИЕ! Материальный ущерб

- Складывая и накрывая накрывную палатку, убедитесь, что палатка сухая.
- Если рама содержит воду, установите ее так, чтобы она выливалась.

- ▶ Выполните действия в порядке, обратном процедуре установки.

Хранение накрывной палатки

Хранение на крыше транспортного средства



ПРЕДУПРЕЖДЕНИЕ! Опасность получения травм

- В целях безопасности других участников дорожного движения и экономии топлива храните палатку на крыше автомобиля только во время поездки.
- Снимите палатку, если она не используется в течение длительного периода времени, и храните ее в соответствии с гл. «Хранение в течение длительного периода времени» на стр. 54.
- Соблюдайте инструкции по технике безопасности при транспортировке палатки на крыше автомобиля (см. гл. «Соблюдайте инструкции по технике безопасности при транспортировке палатки на крыше автомобиля» на стр. 52).

1. Сложите накрывную палатку (см. гл. «Складывание накрывной палатки» на стр. 54).
2. Храните лестницу на сложенной накрывной палатке (рис. 18, стр. 7).
3. Натяните чехол на сложенную палатку и плотно затяните мягкие ремни чехла.

Хранение в течение длительного периода времени

1. Снимите накрывную палатку с багажника на крыше.
2. При необходимости, очистите накрывную палатку (см. гл. «Очистка и уход» на стр. 54.)
3. Перед упаковкой убедитесь, что накрывная палатка полностью сухая.
4. Храните в хорошо вентилируемом сухом месте.

Очистка и уход



ПРЕДУПРЕЖДЕНИЕ! Опасность получения травм

Выполняйте очистку и уход за накрывной палаткой только на земле. Никогда не поднимайтесь на автомобиль для очистки накрывной палатки, пока она установлена на крыше.



ВНИМАНИЕ! Материальный ущерб

- Не используйте для очистки острые или твердые предметы, а также чистящие средства.
- Не используйте для очистки материалы на спиртовой основе, химикаты, мыло и моющие средства.
- Как можно скорее удалите птичий помет и древесную смолу, чтобы избежать необратимого повреждения материала.



УКАЗАНИЕ

- Полностью установите накрывную палатку для очистки.
- Выберите для очистки солнечный день, чтобы материал полностью высох.

- ▶ При необходимости, очистите изделие чистой, теплой водой и мягкой щеткой.
- ▶ Перед каждой поездкой наносите пропитку, защищающую от водяных пятен и УФ-излучения.
- ▶ наносите на швы и молнии подходящие средства по уходу.
- ▶ Держите моторизованные толкатели в чистоте, протирая их чистой сухой тканью.

Устранение неисправностей



УКАЗАНИЕ

- Во время первого воздействия воды на швах может появиться определенная влага. Благодаря этой влажности нити набухнут и заполнят отверстия, образованные в процессе шитья.
- Полный набор запасных частей должен включать в себя:
 - водостойкое покрытие
 - ремонтную ленту и ремонтный комплект
 - силиконовый спрей для застежек-молний
 - запасные колышки

| Проблема | Устранение |
|--|--|
| Протечка воды | <ul style="list-style-type: none"> ▶ Проверьте наличие протекающих швов, поврежденных участков крепежных лент и влажных зон. ▶ Если вам не удалось обнаружить протечку, см. гл. «Конденсация» на стр. 55. ▶ При обнаружении протечек примените герметик. |
| Разрыв ткани | <ul style="list-style-type: none"> ▶ Используйте ремонтную ленту, чтобы уплотнить ткань. ▶ Ремонт должен быть выполнен уполномоченным специалистом. |
| Двигатель или пульт дистанционного управления не работают | <ul style="list-style-type: none"> ▶ Используйте запасные штанги для ручной установки (см. гл. «Ручная установка накрывной палатки» на стр. 54). ▶ Ремонт электродвигателя или моторизованных толкателей должен быть выполнен уполномоченным специалистом. ▶ Замените батарейку пульта дистанционного управления. |
| Крючки лестницы изношены или сломаны | <ul style="list-style-type: none"> ▶ Для замены обратитесь к производителю. |
| Шум при установке или складывании накрывной палатки на крыше | <ul style="list-style-type: none"> ▶ Осмотрите штанги и стыки. ▶ Ремонт должен быть выполнен уполномоченным специалистом. |

Конденсация

Все палатки страдают от внутреннего конденсата, если возникает одно или несколько следующих условий:

- высокая влажность воздуха
- падение температуры

При образовании большого количества конденсата он может просочиться внутрь крыши и стечь по шнурам, лентам и другим внутренним элементам оснащения и может ошибочно приниматься за утечку.

- ▶ Увеличьте вентиляцию, открыв двери и/или окна.

Утилизация

- ▶ По возможности, выкидывайте упаковочный материал в мусор, подлежащий вторичной переработке.



Если Вы окончательно выводите продукт из эксплуатации, то получите информацию в ближайшем центре по вторичной переработке или в торговой сети о соответствующих предписаниях по утилизации.

Гарантия

Действителен установленный законом срок гарантии. Если продукт неисправен, обратитесь в торговую организацию или представительство изготовителя в вашей стране (см. dometic.com/dealer).

При обращении по вопросам ремонта или гарантийного обслуживания необходимо также предоставить следующую информацию:

- копию счета с датой покупки
- причину претензии или описание неисправности

Гарантия распространяется на производственные дефекты, материалы и детали. Гарантия не распространяется на выцветание крышки и износ в результате воздействия УФ-излучения, неправильного использования, случайного повреждения, повреждения от стихийного бедствия или постоянного, полупостоянного или коммерческого использования. Она не покрывает любой полученный в результате это ущерб. В случае претензий свяжитесь с вашим дилером. Это не влияет на ваши законные права.

Технические характеристики

| | TRT120E |
|---|---|
| Подводимое напряжение: | 12 В пост. тока |
| Потребляемая мощность: | 20 Вт |
| Минимальная номинальная мощность розетки: | 10 А |
| Частота дистанционного управления: | 433 МГц |
| Толщина матраса из пенопласта: | 5 мм |
| Размеры внутренней палатки (Ш x В x Г): | 120 x 100 x 200 см |
| Размеры наружной палатки (Ш x В x Г): | 132 x 115 x 218 см |
| Размеры в упакованном виде (Ш x В x Г): | 144 x 32 x 229 см |
| Вес (включая лестницу): | 53 кг |
| Соответствие: |   |

Prosimy o uważne przeczytanie niniejszej instrukcji i przestrzeganie wszystkich instrukcji, wskazówek i ostrzeżeń zawartych w niniejszej instrukcji produktu. Pozwoli to przez cały czas zapewnić prawidłową instalację, zastosowanie oraz konserwację produktu. Niniejsza instrukcja MUSI przez cały czas pozostawać przy produkcie.

Korzystając z produktu, użytkownik potwierdza uważne przeczytanie wszelkich instrukcji, wskazówek i ostrzeżeń, ich zrozumienie oraz zobowiązuje się przestrzegać zawartych w nich warunków. Użytkownik zobowiązuje się wykorzystywać niniejszy produkt wyłącznie zgodnie z jego przeznaczeniem i zamierzonym zastosowaniem oraz z instrukcjami, wskazówkami i ostrzeżeniami wyszczególnionymi w niniejszej instrukcji produktu, jak również ze wszystkimi mającymi zastosowanie przepisami i regulacjami prawnymi. Nieprzestrzeganie zawartych tu instrukcji i ostrzeżeń może skutkować obrażeniami u użytkownika oraz osób trzecich, uszkodzeniem produktu lub też uszkodzeniem mienia w sąsiedztwie produktu. Zastrzega się możliwość wprowadzania zmian i aktualizacji niniejszej instrukcji produktu, wraz z instrukcjami, wskazówkami i ostrzeżeniami oraz powiązaną dokumentacją. Aktualne informacje dotyczące produktu można zawsze znaleźć na stronie dometic.com.



NIEBEZPIECZEŃSTWO!

Wskazówka bezpieczeństwa informująca o niebezpiecznej sytuacji, która – jeśli się jej nie uniknie – prowadzi do śmierci lub ciężkich obrażeń.



OSTRZEŻENIE!

Wskazówka bezpieczeństwa informująca o niebezpiecznej sytuacji, która – jeśli się jej nie uniknie – może prowadzić do śmierci lub ciężkich obrażeń.



UWAGA!

Wskazówka informująca o sytuacji, która – jeśli się jej nie uniknie – może prowadzić do powstania szkód materialnych.



WSKAZÓWKA

Informacje uzupełniające dotyczące obsługi produktu.

Ogólne wskazówki bezpieczeństwa



NIEBEZPIECZEŃSTWO! Nieprzestrzeganie tych instrukcji może prowadzić do śmierci lub ciężkich obrażeń.

Ryzyko zatrucia tlenkiem węgla

- Nigdy nie używać wewnątrz namiotu dachowego urządzeń spalających paliwo, takich jak grille lub gazowe urządzenia grzewcze. W procesie spalania powstaje tlenek węgla, który gromadzi się wewnątrz namiotu ze względu na brak przewodu do odprowadzania spalin.



OSTRZEŻENIE! Nieprzestrzeganie tych ostrzeżeń może prowadzić do śmierci lub ciężkich obrażeń.

Ryzyko pożaru

- Należy zapoznać się z lokalnymi zasadami ochrony przeciwpożarowej.
- Nie gotować wewnątrz namiotu dachowego ani nie używać w nim otwartego płomienia.

Ryzyko uduszenia

- Należy uważać, aby otwory wentylacyjne były przez cały czas otwarte, aby uniknąć uduszenia.

Ryzyko obrażeń

- Urządzenie nie jest przeznaczone do użytku przez osoby (w tym dzieci) o ograniczonych zdolnościach fizycznych, sensorycznych lub umysłowych.
- Dopilnować, aby dzieci nie bawiły się namiotem dachowym, a pilot był przez cały czas przechowywany poza ich zasięgiem.
- Dzieci nie mogą czyścić ani konserwować produktu.

- Przed rozkładaniem i użytkowaniem namiotu dachowego zawsze sprawdzać prognozę pogody.

- Nie używać namiotu dachowego, jeśli zapowiadane są silny wiatr lub burza.
- Jeśli rozpęta się burza, natychmiast opuścić namiot dachowy i udać się samochodem w bezpieczne miejsce. Pozostać w samochodzie do ustania burzy, aby uniknąć porażenia piorunem.
- Nie rozkładać, nie używać i nie składać namiotu dachowego podczas silnego wiatru.
- Nie składać namiotu dachowego podczas silnego deszczu.

- Nie używać namiotu dachowego, jeśli jakkolwiek jego część lub którykolwiek z jego elementów wykazuje widoczne uszkodzenia. Skontaktować się z producentem w celu uzyskania pomocy.

- Stosować tylko atestowane (np. opatrzone znakiem GS) bagażniki dachowe, dopuszczone do użytku z danym pojazdem.

- Przed montażem namiotu dachowego upewnić się, że pojazd i bagażnik dachowy posiadają wystarczającą nośność dla namiotu dachowego oraz osób i przedmiotów, które mają się w nim znajdować.



UWAGA! Ryzyko uszkodzenia

- Nie modyfikować ani nie próbować naprawiać silnika elektrycznego lub elektrycznych popychaczy.
- Nie wywierać nacisku na złożony namiot dachowy.
- Pilota przechowywać w suchym miejscu.



WSKAZÓWKA

- Zawsze mieć przy sobie instrukcję obsługi pojazdu i bagażnika dachowego oraz przestrzegać ich treści.

Bezpieczeństwo podczas transportowania namiotu dachowego na dachu pojazdu



OSTRZEŻENIE! Nieprzestrzeganie tych ostrzeżeń może prowadzić do śmierci lub ciężkich obrażeń.

Ryzyko obrażeń

- Jazda z namiotem dachowym na dachu pojazdu dopuszczalna jest tylko wtedy, gdy namiot jest złożony i prawidłowo przykryty pokrowcem.
- Nie przekraczać prędkości 110 km/h z namiotem dachowym na dachu pojazdu.
- Na początku każdej podróży oraz w regularnych odstępach czasu podczas każdej podróży sprawdzać, czy namiot dachowy jest stabilnie zamocowany na bagażniku dachowym, a jego pokrowiec jest zabezpieczony. Zawsze upewniać się, że namiot dachowy znajduje się w bezpiecznym i odpowiednim miejscu.
- Niezabezpieczone ładunki oraz nieprawidłowo zamontowany bagażnik dachowy lub namiot dachowy mogą spaść podczas jazdy i spowodować obrażenia u innych uczestników ruchu drogowego.
- Zawsze prawidłowo przechowywać drabinę na złożonym namiocie dachowym – pod pokrowcem namiotu, aby zapobiec jej spadnięciu podczas jazdy i spowodowaniu przez nią obrażeń u innych uczestników ruchu drogowego.
- Pamiętać o dostosowaniu stylu jazdy (np. uważać na wiatr boczny, podczas pokonywania zakrętów i hamowania) do zmienionej wysokości pojazdu.
- Podczas jazdy kabel zasilający prądu stałego musi być odłączony od zasilania.
- Nie rozkładać i nie składać namiotu dachowego, gdy pojazd jest w ruchu.



UWAGA! Ryzyko uszkodzenia

- Namiot dachowy zwiększa wysokość pojazdu. Uważać na niskie przejazdy, niskie mosty, nisko wiszące gałęzie i inne przeszkody.
- Przed korzystaniem z myjni automatycznej zdjęć namiot dachowy i bagażnik dachowy.



WSKAZÓWKA

- Podczas jazdy z namiotem dachowym na dachu pojazdu może występować szum spowodowany przez powietrze.

W zestawie

| Element | Ilość |
|---|-------|
| Wstępnie zmontowany namiot dachowy | 1 |
| Aluminiowa drabina teleskopowa | 1 |
| Pokrowiec na namiot | 1 |
| Bezprzewodowy pilot | 1 |
| Kabel zasilający prądu stałego | 1 |
| Torba z narzędziami | 1 |
| Plastikowe nakrętki | 8 |
| Śruba z łbem sześciokątnym M8 x 50 | 8 |
| Podkładka płaska M8 | 8 |
| Podkładka sprężysta M8 | 8 |
| Zaślepka do szyny | 4 |
| Wspornik w kształcie litery U | 4 |
| Dodatkowy pałęk do ręcznego rozkładania | 2 |
| Klucz sześciokątny w kształcie litery L | 2 |
| Wkrętak | 1 |

Użytkowanie zgodne z przeznaczeniem

Namiot dachowy nadaje się do:

- Montażu na odpowiednim bagażniku dachowym na dachu odpowiedniego pojazdu
- Użytkowania przy dobrej lub umiarkowanej pogodzie
- Rozbijania na krótki okres

Namiot dachowy **nie** nadaje się do:

- Użytkowania przez osoby o ograniczonych możliwościach fizycznych, sensorycznych lub umysłowych
- Użytkowania przy bardzo silnym wietrze lub opadach śniegu
- Rozbijania na cały sezon lub zastosowań handlowych

Niniejszy produkt jest przystosowany wyłącznie do wykorzystywania zgodnie z jego przeznaczeniem oraz zamierzonym zastosowaniem według niniejszej instrukcji.

Niniejsza instrukcja zawiera informacje, które są niezbędne do prawidłowego montażu i/lub obsługi produktu. Nieprawidłowy montaż i/lub niewłaściwa obsługa lub konserwacja powodują niezadowalające rezultaty i mogą prowadzić do uszkodzeń.

Producent nie ponosi żadnej odpowiedzialności za ewentualne obrażenia lub uszkodzenia produktu wynikłe z następujących przyczyn:

- Nieprawidłowy montaż lub podłączenie, w tym zbyt wysokie napięcie
- Niewłaściwa konserwacja lub użycie innych części zamiennych niż oryginalne części zamienne dostarczone przez producenta
- Wprowadzanie zmian w produkcie bez wyraźnej zgody producenta
- Użytkowanie w celach innych niż opisane w niniejszej instrukcji obsługi

Firma Dometic zastrzega sobie prawo do zmiany wyglądu i specyfikacji produktu.

Wyposażenie radiowe tego urządzenia spełnia wymagania dyrektywy 2014/53/UE. Deklarację zgodności dla urządzenia można znaleźć na stronie documents.dometic.com.

Opis techniczny

Namiot dachowy jest wyposażony w silnik elektryczny i bezprzewodowego pilota do rozkładania i składania. Silnik elektryczny jest wyposażony w zabezpieczenie przed przegrzaniem.

Namiot dachowy można również rozłożyć ręcznie, korzystając z dostarczonych w zestawie dodatkowych pałków.

W namiocie dachowym znajduje się materac z pianki o wysokiej gęstości.

Do transportu na dachu pojazdu namiot dachowy można złożyć i przykryć dołączonym do zestawu pokrowcem na namiot.

Elementy obsługi

| Poz. na rys. 1, strona 3 | Opis | Objaśnienie |
|--------------------------|---------------|---------------------------------------|
| 1 | Przycisk UP | Rozkładanie namiotu dachowego |
| 2 | Przycisk DOWN | Składanie namiotu dachowego |
| 3 | Przycisk STOP | Zatrzymywanie rozkładania i składania |

Korzystanie z namiotu dachowego



OSTRZEŻENIE! Ryzyko obrażeń

- Przed wejściem na drabinę upewnić się, że namiot dachowy jest stabilnie przymocowany do bagażnika dachowego.
- Przed wejściem lub wyjściem z namiotu upewnić się, że drabina jest mocno zaczepiona o stelaż namiotu dachowego.
- Podczas chodzenia po drabinie zawsze zachowywać ostrożność.
- Przed snem zamykać drzwi wejściowe do namiotu dachowego, aby zapobiec wypadnięciu z namiotu podczas snu.
- Z pilota korzystać wyłącznie do sterowania namiotem dachowym z ziemi.



UWAGA! Ryzyko uszkodzenia

Podczas rozkładania i składania namiotu dachowego pozostawiać otwarte boczne okna.

Przed pierwszym użyciem

Przed pierwszym użyciem produktu zapoznać się z nim poprzez jego próbne rozłożenie. Sprawdzić, czy w zestawie znajdują się wszystkie elementy.

Montaż namiotu dachowego



OSTRZEŻENIE! Ryzyko obrażeń

- Przed umieszczeniem namiotu dachowego na dachu pojazdu upewnić się, że w pobliżu pojazdu nie znajdują się inne osoby, a w szczególności dzieci.
- Podczas umieszczania namiotu dachowego na dachu pojazdu korzystać z pomocy drugiej zdolnej do tego osoby, aby zapobiec jego spadnięciu.
- Namiot dachowy montować równoległe do linii drogi, a nie pod kątem, aby uniknąć powstawania nadmiernej siły aerodynamicznych.
- Odpowiednio mocno dokręcić wszystkie śruby, aby zapobiec ich poluzowaniu się.

Montaż w przypadku rozkładania elektrycznego

- ▶ Postępować w zilustrowany sposób (rys. 2, strona 3 – rys. 4, strona 3).

Montaż w przypadku rozkładania ręcznego

- ▶ Patrz rozdz. „Ręczne rozkładanie namiotu dachowego” na stronie 58.

Rozkładanie namiotu dachowego

Elektryczne rozkładanie namiotu dachowego



OSTRZEŻENIE! Ryzyko obrażeń

Po rozłożeniu namiotu dachowego odłączyć przewód zasilania prądem stałym od źródła zasilania.



WSKAZÓWKA

Jeśli instalacja elektryczna nie działa, rozłożyć namiot dachowy ręcznie (patrz rozdz. „Ręczne rozkładanie namiotu dachowego” na stronie 58).

- ▶ Postępować w zilustrowany sposób (rys. 5, strona 4 – rys. 10, strona 5 i rys. 17, strona 7).

Ręczne rozkładanie namiotu dachowego



OSTRZEŻENIE! Ryzyko obrażeń

Nie próbować wymieniać pałków, gdy namiot dachowy jest zamontowany na dachu pojazdu.



UWAGA! Ryzyko szkód materialnych

Nie próbować wyjmować dodatkowych pałków spod namiotu dachowego, gdy jest on zamontowany na dachu pojazdu. Mogłoby to bowiem spowodować uszkodzenie lakieru pojazdu.

1. Jeśli namiot dachowy jest już zamontowany na bagażniku dachowym, należy najpierw zdemontować namiot dachowy, wykonując procedurę montażu w odwrotnej kolejności.
2. Postępować w zilustrowany sposób (rys. 11, strona 5 – rys. 17, strona 7).

Składanie namiotu dachowego



OSTRZEŻENIE! Ryzyko obrażeń

Przed złożeniem namiotu dachowego upewnić się, że w namiocie nie znajdują się żadne osoby ani przedmioty.



UWAGA! Ryzyko szkód materialnych

- Przed złożeniem i przykryciem namiotu dachowego upewnić się, że jest on suchy.
- Jeżeli w ramie zebrała się woda, przechylić ją i wylać wodę.

- ▶ Wykonać procedurę rozkładania w odwrotnej kolejności.

Przechowywanie namiotu dachowego

Przechowywanie na dachu pojazdu



OSTRZEŻENIE! Ryzyko obrażeń

- Ze względu na bezpieczeństwo innych uczestników ruchu drogowego i oszczędność paliwa namiot dachowy należy przechowywać na dachu pojazdu wyłącznie w czasie trwania podróży, podczas której ma on być wykorzystywany.
- Jeśli namiot dachowy nie będzie używany przez dłuższy czas, należy go zdjąć i przechowywać w sposób zilustrowany na rozdz. „Przechowywanie przez dłuższy okres” na stronie 58.
- Przestrzegać wskazówek bezpieczeństwa dotyczących transportu namiotu dachowego na dachu pojazdu (patrz rozdz. „Bezpieczeństwo podczas transportowania namiotu dachowego na dachu pojazdu” na stronie 56).

1. Złożyć namiot dachowy (patrz rozdz. „Składanie namiotu dachowego” na stronie 58).
2. Drabinę przechowywać na złożonym namiocie dachowym (rys. 18, strona 7).
3. Nałożyć pokrowiec na złożony namiot dachowy i mocno zapiąć tekstylne pasy pokrowca.

Przechowywanie przez dłuższy okres

1. Zdemontować namiot dachowy z bagażnika dachowego.
2. W razie potrzeby oczyścić namiot dachowy (patrz rozdz. „Czyszczenie i konserwacja” na stronie 58).
3. Przed spakowaniem namiotu dachowego upewnić się, że jest on całkowicie suchy.
4. Przechowywać w dobrze wentylowanym, suchym miejscu.

Czyszczenie i konserwacja



OSTRZEŻENIE! Ryzyko obrażeń

Namiot dachowy czyścić i konserwować wyłącznie na ziemi. Nigdy nie wchodzić na pojazd w celu czyszczenia zamontowanego na dachu namiotu dachowego.



UWAGA! Ryzyko szkód materialnych

- Do czyszczenia nie używać ostrych ani twardych przedmiotów lub środków czyszczących.
- Do czyszczenia nie używać środków na bazie alkoholu, chemikaliów, mydła ani detergentów.
- Jak najszybciej usuwać ptasie odchody i żywicę, aby uniknąć trwałego uszkodzenia materiału.



WSKAZÓWKA

- Całkowicie rozkładać namiot dachowy do czyszczenia.
- Czyszczenie przeprowadzać w słoneczny dzień, aby materiał mógł całkowicie wyschnąć.

- ▶ W razie potrzeby wyczyścić produkt czystą, ciepłą wodą i miękką szcztotką.
- ▶ Przed każdą podróżą zastosować środek impregnujący w celu zabezpieczenia przed plamami z wody i promieniowaniem UV.
- ▶ Szwy i zamki błyskawiczne konserwować przy użyciu odpowiednich środków.
- ▶ Utrzymywać popychacze z napędem silnikowym w czystości, przecierając je czystą, suchą szmatką.

Usuwanie usterek



WSKAZÓWKA

- Podczas pierwszego kontaktu z wodą na szwach może pojawić się wilgoć. Spowoduje ona spęcznienie nici, które uszczelniają otwory powstałe w trakcie szycia.
- W pełni wyposażony zestaw części zamiennych powinien zawierać następujące elementy:
 - Impregnat
 - Taśma naprawcza i roztwór naprawczy
 - Silikon w sprayu do zamków błyskawicznych
 - Zapasowe szpilki

| Problem | Rozwiązanie |
|---|---|
| Przeciekanie wody | <ul style="list-style-type: none">▶ Sprawdzić, czy nie ma przeciekających szwów, uszkodzonych uszczelnień taśmą lub wilgotnych obszarów.▶ Jeśli nie można znaleźć nieszczelności, patrz rozdz. „Skropliny” na stronie 59.▶ W przypadku zlokalizowania nieszczelności zastosować uszczelniacz do szwów. |
| Rozdarcie tkaniny | <ul style="list-style-type: none">▶ Uszczelnić tkaninę taśmą naprawczą.▶ Zlecić naprawę autoryzowanemu specjalistcie. |
| Silnik lub pilot nie działają | <ul style="list-style-type: none">▶ Ręcznie rozłożyć namiot, korzystając z dodatkowych pałków (patrz rozdz. „Ręczne rozkładanie namiotu dachowego” na stronie 58).▶ Zlecić naprawę silnika elektrycznego lub popychaczy z napędem silnikowym autoryzowanemu specjalistcie.▶ Wymienić baterię w pilocie. |
| Haki drabiny są zużyte lub pęknięte | <ul style="list-style-type: none">▶ Skontaktować się z producentem w celu wymiany. |
| Hałas podczas rozkładania lub składania namiotu dachowego | <ul style="list-style-type: none">▶ Sprawdzić pałki i połączenia.▶ Zlecić naprawę autoryzowanemu specjalistcie. |

Skropliny

We wszystkich namiotach osadzają się skropliny, gdy występuje co najmniej jeden z poniższych warunków:

- Wysoka wilgotność powietrza
- Spadek temperatury

Duże ilości skropliny mogą spływać po wewnętrznej stronie dachu i po linach, taśmach oraz innych wewnętrznych elementach, co może zostać błędnie zinterpretowane jako przeciekanie.

▶ Zapewnić dodatkową wentylację poprzez otwarcie drzwi i/lub okien.

Utylizacja

▶ Opakowanie należy wyrzucić do odpowiedniego pojemnika na śmieci do recyklingu.



Jeżeli produkt nie będzie dłużej eksploatowany, koniecznie dowiedz się w najbliższym zakładzie recyklingu lub w specjalistycznym sklepie, jakie są aktualnie obowiązujące przepisy dotyczące utylizacji.

Gwarancja

Obowiązuje ustawowy okres gwarancji. W przypadku stwierdzenia uszkodzenia produktu należy zgłosić się do jego sprzedawcy lub oddziału producenta w danym kraju (patrz dometic.com/dealer).

W celu naprawy lub rozpatrzenia gwarancji konieczne jest przesłanie następujących dokumentów:

- Kopii rachunku z datą zakupu
- Informacji o przyczynie reklamacji lub opisu wady

Gwarancja obejmuje wady produkcyjne, materiałowe oraz części. Gwarancja nie obejmuje wyblaknięcia obudowy oraz zużycia w wyniku działania promieniowania ultrafioletowego, nieprawidłowego zastosowania, przypadkowego uszkodzenia, uszkodzeń spowodowanych przez burze lub też ciągłe, częściowo ciągłe lub komercyjne wykorzystywanie. Nie obejmuje ona również szkód następczych. Roszczenia należy zgłaszać do dystrybutora. Powyższe zapisy nie ograniczają uprawnień ustawowych.

Dane techniczne

| | TRT120E |
|--|---|
| Napięcie zasilania: | 12 V prąd stały |
| Pobór mocy: | 20 W |
| Minimalne parametry znamionowe gniazda: | 10 A |
| Częstotliwość pilota: | 433 MHz |
| Głębokość materaca piankowego: | 5 cm |
| Wymiary namiotu wewnętrznego (szer. x wys. x gł.): | 120 x 100 x 200 cm |
| Wymiary namiotu zewnętrznego (szer. x wys. x gł.): | 132 x 115 x 218 cm |
| Wymiary po spakowaniu (szer. x wys. x gł.): | 144 x 32 x 229 cm |
| Masa (wraz z drabiną): | 53 kg |
| Zgodność: |   |

Dôkladne si prečítajte tento návod a dodržiavajte všetky pokyny, usmernenia a varovania uvedené v tomto návode k výrobku, aby bolo zaručené, že výrobok bude vždy správne nainštalovaný, používaný a udržiavaný. Tento návod MUSÍ zostať priložený k výrobku.

Použitím tohto výrobku týmto potvrdzujete, že ste si dôkladne prečítali všetky pokyny, usmernenia a varovania a že rozumiete a súhlasíte s dodržiavaním všetkých uvedených podmienok. Súhlasíte, že tento výrobok budete používať iba v súlade s určeným použitím a v súlade s pokynmi, usmerneniami a varovaniami uvedenými v tomto návode k výrobku, ako aj v súlade so všetkými platnými zákonmi a nariadeniami. V prípade, že si neprečítate a nebudete sa riadiť pokynmi a varovaniami uvedenými v tomto návode, môže mať za následok vaše poranenie alebo poranenie iných osôb, poškodenie vášho výrobku alebo poškodenie majetku v jeho blízkosti. Tento návod na obsluhu výrobku vrátane pokynov, usmernení a varovaní, a súvisiaca dokumentácia môže podliehať zmenám a aktualizáciám. Najaktuálnejšie informácie o výrobku nájdete na adrese dometic.com.



NEBEZPEČENSTVO!

Bezpečnostné upozornenie na nebezpečnú situáciu, ktorá vedie k usmrtieniu alebo ťažkému poraneniu, ak sa jej nezabráni.



VÝSTRAHA!

Bezpečnostné upozornenie na nebezpečnú situáciu, ktorá môže viesť k usmrtieniu alebo ťažkému poraneniu, ak sa jej nezabráni.



POZOR!

Upozornenie na situáciu, ktorá môže viesť k materiálным škodám, ak sa jej nezabráni.



POZNÁMKA

Doplňujúce informácie týkajúce sa obsluhy produktu.

Základné bezpečnostné pokyny



NEBEZPEČENSTVO! Nedodržanie tohto upozornenia bude mať za následok smrť alebo vážne poranenie.

Nebezpečenstvo otravy oxidom uhoľnatým

- Nikdy nepoužívajte spotrebič na plynne alebo kvapalné palivá, ako napríklad BBQ grily či plynové ohrievače vnútri strešného stanu. Pri procese spaľovania vzniká oxid uhličitý, ktorý sa akumuluje vnútri stanu, keďže tento nemá žiadny vetrací otvor.



VÝSTRAHA! Nedodržanie týchto varovaní môže mať za následok smrť alebo vážne poranenie.

Nebezpečenstvo požiaru

- Postarajte sa o protipožiarne preventívne opatrenia na mieste postavenia.
- Nevarte ani nepoužívajte otvorený plameň vnútri strešného stanu.

Nebezpečenstvo udusenia

- Postarajte sa, aby vetracie otvory boli neustále otvorené. Zabráňte tak nebezpečenstvu udusenia.

Nebezpečenstvo poranenia

- Toto zariadenie nie je určené na používanie osobami (vrátane detí) so zníženými fyzickými, zmyslovými alebo mentálnymi schopnosťami.
- Nedovoľte deťom, aby sa hrali so strešným stanom a postarajte sa, aby diaľkové ovládanie bolo po celú dobu uschované mimo dosahu detí.
- Čistenie a bežnú údržbu nesmú vykonávať deti.
- Pred postavením a použitím strešného stanu vždy sledujte predpoveď počasia.
 - Nepoužívajte strešný stan, ak sa očakáva búrka.
 - V prípade, že príde búrka, okamžite opusťte strešný stan a uchýľte sa do bezpečia svojho vozidla. Zostaňte vo vozidle, kým búrka neskončí, aby ste predišli zásahu bleskom.
 - Ak je veľmi veterné počasie, strešný stan nestavajte, nepoužívajte alebo neskladajte.
 - Neskladajte strešný stan počas silného dažďa.
- Nepoužívajte strešný stan, ak je akákoľvek jeho časť alebo niektorý z jeho komponentov viditeľne poškodený. Kontaktujte výrobcu ohľadne poradenstva.



- Používajte iba otestované (napr. značka GS) strešné nosiče, ktoré sú schválené na použitie s vaším vozidlom.
- Pred montážou strešného stanu sa ubezpečte, že vaše vozidlo a strešný nosič majú dostatočnú nosnosť pre strešný stan a osoby a predmety, ktoré majú byť v strešnom stane.

POZOR! Nebezpečenstvo poškodenia

- Neupravujte ani sa nepokúšajte opraviť elektromotor alebo elektrické piestne tyče.
- Netlačte na strešný stan, keď je zložený.
- Diaľkové zariadenie udržiavajte suché.



POZNÁMKA

- Návody na obsluhu vozidla a používanie strešného nosiča majte vždy pri sebe a riaďte sa ich pokynmi.

Bezpečnosť pri preprave strešného stanu na streche vozidla



VÝSTRAHA! Nedodržanie týchto varovaní môže mať za následok smrť alebo vážne poranenie.

Nebezpečenstvo poranenia

- So strešným stanom na streche vozidla jazdte iba vtedy, keď je strešný stan zložený a správne zakrytý krytom na stan.
- So strešným stanom na streche vozidla nejazdte vyššou rýchlosťou než 110 km/h.
- Pred každým výletom a v pravidelných intervaloch počas výletu skontrolujte, či je strešný stan pevne uchytený k strešnému nosiču a kryt na stan je bezpečne zaistený. Vždy sa ubezpečte, že strešný stan je na bezpečnom a vhodnom mieste.
- Nezaistené náklady a nesprávne namontovaný strešný nosič alebo strešný stan sa môžu stratiť počas cesty a pri páde môžu zraniť ostatných účastníkov cestnej premávky.
- Postarajte sa, aby rebrík bol správne uskladnený na vrchu zloženého strešného stanu a pod krytom stanu, aby sa zabránilo pádu rebríka a zraneniu ostatných účastníkov cestnej premávky počas jazdy.
- Dbajte na to, aby ste prispôbili spôsob vašej jazdy (napr. citlivosť na bočný vietor, jazda do zákrut a brzdenie) zmenenej výške vozidla.
- Napájací kábel na jednosmerný prúd musí byť počas jazdy odpojený od zdroja napájania.
- Strešný stan nestavajte ani neskladajte, kým je vozidlo v pohybe.



POZOR! Nebezpečenstvo poškodenia

- Strešný stav zväčší výšku vozidla. Dávajte pozor na nízke vjazdy, nízke mosty, nízko visiace vetvy a iné prekážky.
- Pri vjazde do automatickej autoumyvárne demontujte strešný stan a strešný nosič.



POZNÁMKA

- Pri jazde so strešným stanom na streche vozidla sa môže prejavíť šum vetra.

Rozsah dodávky

| Dielec | Počet |
|-------------------------------|-------|
| Predmontovaný strešný stan | 1 |
| Teleskopický hliníkový rebrík | 1 |
| Kryt stanu | 1 |
| Bezdrôtové diaľkové ovládanie | 1 |

| Dielec | Počet |
|---------------------------------------|-------|
| Napájací kábel na jednosmerný prúd | 1 |
| Taška na náradie | 1 |
| Plastové matice | 8 |
| Skrutka so šesťhrannou hlavou M8 × 50 | 8 |
| Plochá podložka M8 | 8 |
| Delená podložka M8 | 8 |
| Koncovka lišty | 4 |
| Konzola v tvare U | 4 |
| Náhradná tyčka pre ručné postavenie | 2 |
| Inbusový kľúč v tvare L | 2 |
| Skrutkovač | 1 |

Používanie v súlade s určením

Tento strešný stan je vhodný pre:

- montáž na vhodný strešný nosič na strechu vhodného vozidla
- mierne až stredne mierne počasie
- výlety, zájazdy

Tento strešný stan **nie je** vhodný pre:

- používanie osobami so zníženými fyzickými, zmyslovými alebo mentálnymi schopnosťami
- veľmi silný vietor alebo sneženie
- vrchol sezóny alebo komerčné použitie

Tento výrobok je vhodný iba na použitie na určený účel a použitie v súlade s týmto návodom.

Tento návod obsahuje informácie, ktoré sú nevyhnutné pre správnu inštaláciu a/alebo obsluhu výrobku. Chybná inštalácia a/alebo nesprávna obsluha či údržba bude mať za následok neuspokojivý výkon a možnú poruchu.

Výrobca nenesie žiadnu zodpovednosť za akékoľvek poranenia či škody na výrobku spôsobené:

- nesprávnou montážou alebo pripojením vrátane nadmerného napätia
- nesprávnou údržbou alebo použitím iných ako originálnych náhradných dielov poskytnutých výrobcom
- Zmeny produktu bez výslovného povolenia výrobcu
- Použitie na iné účely než na účely opísané v návode

Firma Dometic si vyhradzuje právo na zmenu vzhľadu a technických parametrov výrobku.

Rádiové zariadenie zariadenia vyhovuje požiadavkám smernice 2014/53/EÚ. Vyhlásenie o zhode k zariadeniu nájdete na stránke documents.dometic.com.

Technický opis

Tento strešný stan je vybavený elektrickým motorom a bezdrôtovým diaľkovým ovládaním na postavenie a zloženie. Elektrický motor je vybavený tepelnou poistkou.

Strešný stan je možné postaviť aj manuálne, s použitím dodaných náhradných tyčiek.

Súčasťou strešného stanu je penový matrac s vysokou hustotou.

Kvôli preprave na streche vozidla je strešný stan možné zložiť a zakryť dodaným krytom na stanu.

Ovládacie prvky

| Č. na obr. 1, strane 3 | Opis | Vysvetlenie |
|------------------------|---------------|--------------------------------------|
| 1 | Tlačidlo UP | Postaví strešný stan. |
| 2 | Tlačidlo DOWN | Zloží strešný stan. |
| 3 | Tlačidlo STOP | Zastaví postavenie a zloženie stanu. |

Používanie strešného stanu



VÝSTRAHA! Nebezpečenstvo poranenia

- Skôr než vyleziete po rebríku sa ubezpečte, že strešný stan je pevne uchytený k strešnému nosiču.
- Pred vstupom do strešného stanu alebo pred jeho opustením sa ubezpečte, že rebrík je pevne zaháknutý do základového rámu strešného stanu.
- Po rebríku vždy stúpajte opatrne.
- Skôr než sa uložíte k spánku, zatvorte vstupné dvere strešného stanu, aby ste predišli vypadnutiu zo strešného stanu počas spánku.
- Na ovládanie strešného stanu zo zeme používajte iba diaľkové ovládanie.



POZOR! Nebezpečenstvo poškodenia

Počas postavenia alebo zloženia strešného stanu nechajte bočné okná otvorené.

Pred prvým použitím

Oboznámte sa s výrobkom tak, že pred prvým použitím ho na skúšku postavíte. Skontrolujte, či je obsah dodávky úplný.

Montáž strešného stanu



VÝSTRAHA! Nebezpečenstvo poranenia

- Ubezpečte sa, že v blízkosti vozidla sa nezdržiavajú žiadne iné osoby, najmä deti, keď spolu s pomocníkom zdvíhate strešný stan na strechu vozidla.
- Zdvihnite strešný stan na strechu vášho vozidla s pomocou inej schopnej osoby, aby ste predišli pádu strešného stanu zo strechy.
- Strešný stan namontujte rovnobežne s trasou cesty a nie v uhle, aby ste predišli nadmernej zdvíhacej sile.
- Upevnite všetky skrutky tak, aby boli dostatočne zaisťované.

Montáž pre elektrické postavenie

- Postupujte podľa obrázkov (obr. 2, strane 3 – obr. 4, strane 3).

Montáž pre manuálne postavenie

- Pozri kap. „Postavenie strešného stanu manuálne“ na strane 62.

Postavenie strešného stanu

Postavenie strešného stanu elektricky



VÝSTRAHA! Nebezpečenstvo poranenia

Po postavení strešného stanu odpojte napájací kábel na jednosmerný prúd od zdroja napájania.



POZNÁMKA

Ak elektrické postavenie nefunguje, strešný stan postavte manuálne (pozri kap. „Postavenie strešného stanu manuálne“ na strane 62).

- Postupujte podľa obrázkov (obr. **5**, strane 4 – obr. **10**, strane 5 a obr. **17**, strane 7).

Postavenie strešného stanu manuálne



VÝSTRAHA! Nebezpečenstvo poranenia

Nepokúšajte sa vymeniť tyčky, kým je strešný stan namontovaný na streche vozidla.



POZOR! Poškodenie materiálu

Nepokúšajte sa odstrániť náhradné tyčky zo spodku strešného stanu, kým je strešný stan namontovaný na streche vozidla. Mohli by ste poškodiť lak vozidla.

1. Ak je strešný stan už namontovaný na strešnom nosiči, najprv demon-
tujte strešný stan v obrátenom poradí montáže.
2. Postupujte podľa obrázkov (obr. **11**, strane 5 – obr. **17**, strane 7).

Zloženie strešného stanu



VÝSTRAHA! Nebezpečenstvo poranenia

Pred zložením strešného stanu sa ubezpečte, že sa v ňom nenachádzajú žiadne osoby alebo predmety.



POZOR! Poškodenie materiálu

- Pri zložení a zakrytí strešného stanu sa ubezpečte, že strešný stan je suchý.
- Ak je na ráme vode, postavte ho, aby sa voda vyliala.

- Postup zopakujte v obrátenom poradí.

Skladovanie strešného stanu

Skladovanie na streche vozidla



VÝSTRAHA! Nebezpečenstvo poranenia

- Pre bezpečnosť ostatných účastníkov cestnej premávky a z dôvodov palivovej hospodárnosti skladujte strešný stan na streche vozidla iba počas výletu.
- Strešný stan demontujte vtedy, keď sa dlhšiu dobu nepoužíva a uskladnite ho v súlade s kapitolou kap. „Skladovanie na dlhú dobu“ na strane 62.
- Riadte sa bezpečnostnými pokynmi pre prepravu strešného stanu na streche vozidla (pozri kap. „Bezpečnosť pri preprave strešného stanu na streche vozidla“ na strane 60).

1. Zložte strešný stan (pozri kap. „Zloženie strešného stanu“ na strane 62).
2. Rebrík uskladnite na zloženom strešnom stane (obr. **18**, strane 7).
3. Umiestnite kryt stanu na zložený strešný stan a mäkké popruhy krytu stanu pevne utiahnite.

Skladovanie na dlhú dobu

1. Demontujte strešný stan zo strešného nosiča.
2. Ak je to potrebné, strešný stav očistite (pozri kap. „Čistenie a údržba“ na strane 62).
3. Ubezpečte sa, že strešný stan je úplne suchý, skôr než ho zbalíte.
4. Uskladnite ho na dobre vetranom, suchom mieste.

Čistenie a údržba



VÝSTRAHA! Nebezpečenstvo poranenia

Čistenie a údržbu strešného stanu vykonávajte iba na zemi. Nikdy nelezte na vozidlo, aby ste očistili strešný stan, kým je namontovaný na streche vozidla.



POZOR! Poškodenie materiálu

- Na čistenie nepoužívajte ostré ani tvrdé predmety alebo čistiace prostriedky.
- Na čistenie nepoužívajte materiály na báze alkoholu, chemické prípravky, mydlo a čistiace prostriedky.
- Okamžite odstráňte vtáčí trus a živicu, aby ste predišli trvalému poškodeniu materiálu.



POZNÁMKA

- Strešný stan úplne rozložte kvôli čisteniu.
- Na čistenie si vyberte snečný deň, aby sa materiál dôkladne vysušil.

- Ak je to nutné, výrobok očistite s vlažnou vodou a mäkkou kefkou.
- Pred každým výletom aplikujte impregnáciu na ochranu pred vodnými škvrkami a ochranu proti UV žiareniu.
- Ošetríte švy a zipsy s vhodnými ošetrojúcimi prípravkami.
- Udržujte motoricky ovládané piestne tyče v čistote tak, že ich budete utierať čistou a suchou handrou.

Odstraňovanie porúch



POZNÁMKA

- Pri prvom kontakte s vodou môžu byť švy trochu navlhnuté. Vplyvom tejto vlhkosti vlákna zväčšia svoj objem a vyplnia otvory vytvorené pri šití.
- Kompletná súprava náhradných dielov musí obsahovať:
 - impregnačný prostriedok
 - pásku a roztok na opravu
 - silikónový sprej na zipsy
 - náhradné zaisťovacie kolíky

| Problém | Riešenie |
|--|--|
| Presakovanie vody | <ul style="list-style-type: none"> ➤ Skontrolujte na netesné švy, poškodené pripojenia a vlhké miesta. ➤ Ak nedokáže nájsť žiadne netesné body, pozrite si kap. „Kondenzácia“ na strane 62. ➤ Ak nájdete netesné body, aplikujte tesniacu hmotu na švy. |
| Trhlina v textílii | <ul style="list-style-type: none"> ➤ Použite opravnú pásku na utesnenie textílie. ➤ Opravy prenechajte kvalifikovanému odborníkovi. |
| Motor alebo diaľkové ovládanie nefunguje | <ul style="list-style-type: none"> ➤ Použite náhradné tyčky na manuálne postavenie (pozri kap. „Postavenie strešného stanu manuálne“ na strane 62). ➤ Elektrický motor alebo motoricky ovládané piestne tyče nechajte opraviť autorizovaným odborníkom. ➤ Vymeňte batériu v diaľkovom ovládaní. |
| Háky rebríka sú opotrebované alebo zlomené | <ul style="list-style-type: none"> ➤ Kontaktujte výrobcu ohľadne výmeny. |
| Hluk počas postavenia alebo zloženia strešného stanu | <ul style="list-style-type: none"> ➤ Preskúmajte tyčky a spoje. ➤ Opravy prenechajte kvalifikovanému odborníkovi. |

Kondenzácia

Pri všetkých stanoch dochádza k vnútornej tvorbe kondenzácie, ak sa vyskytne jedna alebo viacero nasledujúcich podmienok:

- vysoká vlhkosť vzduchu
- pokles teploty

Pri výrazne tvorbe kondenzácie môže táto stekať po vnútornej strane strechy a odkvapkávať zo šnúr, pásiiek a iných vnútorných prvkov a chybné sa považovať za netesnosť.

- ▶ Zlepšite vetranie otvorením dverí a/alebo okien.

Likvidácia

- ▶ Obalový materiál podľa možnosti odovzdajte do príslušného odpadu na recykláciu.



Keď výrobok definitívne vyradíte z prevádzky, informujte sa v najbližšom recyklačnom stredisku alebo u vášho špecializovaného predajcu o príslušných predpisoch týkajúcich sa likvidácie.

Záruka



Platí zákonom stanovená záručná lehota. Ak je výrobok poškodený, obráťte sa na svojho predajcu alebo pobočku výrobcu vo svojej krajine (pozri dometic.com/dealer).

Ak žiadate o vybavenie opravy alebo nárokov vyplývajúcich zo záruky, musíte priložiť nasledovné podklady:

- kópiu faktúry s dátumom kúpy,
- dôvod reklamácie alebo opis chyby.

Záruka sa vzťahuje na výrobné chyby, materiály a diely. Záruka sa nevzťahuje na blednutie krytu a opotrebenie spôsobené UV žiarením, nesprávne použitie, náhodné poškodenie, poškodenie pri búrke, alebo trvalé, polotrvalé alebo komerčné použitie. Nevzťahuje na žiadne škody z toho vyplývajúce. V prípade nárokov sa obráťte na svojho predajcu. Toto nemá vplyv na vaše zákonné práva.

Technické údaje

| | TRT120E |
|--------------------------------------|---|
| Prípájacie napätie: | 12 V DC |
| Odber prúdu: | 20 W |
| Minimálna hodnota zásuvky: | 10 A |
| Frekvencia diaľkového ovládania: | 433 MHz |
| Výška penového matracu: | 5 cm |
| Vnútorne rozmery stanu (Š × V × H): | 120 × 100 × 200 cm |
| Vonkajšie rozmery stanu (Š × V × H): | 132 × 115 × 218 cm |
| Rozmery zbaleného stanu (Š × V × H): | 144 × 32 × 229 cm |
| Hmotnosť (vrátane rebríka): | 53 kg |
| Zhoda: |   |

Pečlivě si prosím přečtete a dodržujte všechny pokyny, směrnice a varování obsažené v tomto návodu k výrobku, abyste měli jistotu, že výrobek budete vždy správně instalovat, používat a udržovat. Tyto pokyny MUSÍ být uchovávány v blízkosti výrobku.

Používáním výrobku tímto potvrzujete, že jste si pečlivě přečetli všechny pokyny, směrnice a varování a že rozumíte podmínkám uvedeným v tomto dokumentu a souhlasíte s nimi. Souhlasíte s používáním tohoto výrobku pouze k určenému účelu a použití a v souladu s pokyny, směrnicemi a varováními uvedenými v tomto návodu k výrobku a v souladu se všemi příslušnými zákony a předpisy. Pokud si nepřečtete a nebudete dodržovat zde uvedené pokyny a varování, může to vést ke zranění vás i ostatních, poškození vašeho výrobku nebo poškození jiného majetku v okolí. Tento návod k výrobku, včetně pokynů, směrnic a varování a související dokumentace může být předmětem změn a aktualizací. Aktuální informace o výrobku naleznete na stránkách dometic.com.



NEBEZPEČÍ!

Bezpečnostní upozornění na nebezpečnou situaci, která vede k úmrtí nebo těžkému poranění osob, pokud se jí nevyhnete.



VÝSTRAHA!

Bezpečnostní upozornění na nebezpečnou situaci, která může vést k úmrtí nebo těžkému poranění osob, pokud se jí nevyhnete.



POZOR!

Upozornění na situaci, která může vést k poškození majetku, pokud se jí nevyhnete.



POZNÁMKA

Doplňující informace týkající se obsluhy výrobku.

Všeobecné bezpečnostní pokyny



NEBEZPEČÍ! Nedodržení tohoto pokynu bude mít za následek smrt nebo vážné zranění.

Nebezpečí otravy oxidem uhelnatým

- Uvnitř střešního stanu nikdy nepoužívejte přístroje na spalování paliva, jako jsou grily nebo plynové ohříváče. Při spalování vzniká oxid uhelnatý, který se hromadí uvnitř stanu, protože v něm není komín.



VÝSTRAHA! Nedodržení těchto varování by mohlo mít za následek smrt nebo vážné zranění.

Nebezpečí požáru

- Ujistěte se, že znáte protipožární opatření na místě.
- Uvnitř střešního stanu nevařte a nepoužívejte otevřený oheň.

Nebezpečí udušení

- Přesvědčte se, že jsou větrací otvory stále otevřené, aby nedošlo k udušení.

Riziko zranění

- Toto zařízení není určeno k použití osobami (včetně dětí) se sníženými fyzickými, smyslovými nebo duševními schopnostmi.
- Nedovolte dětem, aby si se střešním stanem hrály, a zajistěte, aby byl dálkový ovladač po celou dobu uložen mimo dosah dětí.
- Čištění a běžnou údržbu nesmějí provádět děti.
- Před postavením a používáním střešního stanu se vždy podívejte na předpověď počasí.
 - Nepoužívejte střešní stan, pokud jsou hlášeny bouřky nebo hromobití.
 - Pokud vás zastihne bouřka, okamžitě střešní stan opusťte a dopravte se do bezpečí ve vozidle. Zůstaňte ve vozidle, dokud bouřka neskončí, abyste se vyhnuli zasažení bleskem.
 - Střešní stan nestavte, nepoužívejte ani neskládejte, pokud je velmi větrno.
 - Střešní stan neskládejte za silného deště.
- Střešní stan nepoužívejte, pokud je některá jeho část nebo některý z jeho komponentů viditelně poškozen. Obratě se na výrobce a požádejte o pomoc.



POZOR! Nebezpečí poškození

- Elektromotor nebo elektrické tlačné tyče neupravujte ani se je nepokoušejte opravovat.
- Netlačte na střešní stan, když je složený.
- Dálkový ovladač udržujte v suchu.



POZNÁMKA

- Vždy mějte u sebe návod k používání vozidla a střešního nosiče a dodržujte pokyny v nich obsažené.

Bezpečnost při přepravě střešního stanu na střeše vozidla



VÝSTRAHA! Nedodržení těchto varování by mohlo mít za následek smrt nebo vážné zranění.

Riziko zranění

- Se střešním stanem na střeše vozidla jezdíte pouze v případě, že je střešní stan složený a řádně zakrytý krytem stanu.
- Se střešním stanem na střeše vozidla nejezdíte rychleji než 110 km/h.
- Na začátku každé jízdy a v pravidelných intervalech během každé jízdy zkontrolujte, zda je střešní stan pevně připevněn ke střešnímu nosiči a zda je kryt stanu bezpečně zajištěn. Vždy se ujistěte, že je střešní stan na bezpečném a vhodném místě.
- Nezajištěný náklad a nesprávně namontovaný střešní nosič nebo střešní stan se mohou během jízdy zřítit a při pádu zranit ostatní účastníky silničního provozu.
- Dbejte na správné uložení žebříku navrchu složeného střešního stanu a pod krytem stanu, abyste zabránili pádu žebříku a zranění ostatních účastníků silničního provozu během jízdy.
- Nezapomeňte přizpůsobit své chování při jízdě (např. citlivost na boční vítr, chování při zatáčení a brzdění) změně výšky vozidla.
- Napájecí kabel na stejnosměrný proud musí být během jízdy odpojen od napájecího zdroje.
- Střešní stan za jízdy nestavte ani neskládejte.



POZOR! Nebezpečí poškození

- Střešní stan zvyšuje výšku vozidla. Dávejte pozor na nízké vjezdy, nízké mosty, nízko visící větve a jiné překážky.
- Při použití automatické myčky sejměte střešní stan a střešní nosič.



POZNÁMKA

- Při jízdě se střešním stanem na střeše vozidla může docházet k hluku způsobenému větrem.

Obsah dodávky

| Součást | Množství |
|--------------------------------------|----------|
| Předmontovaný střešní stan | 1 |
| Teleskopický hliníkový žebřík | 1 |
| Kryt stanu | 1 |
| Bezdrátový dálkový ovladač | 1 |
| Napájecí kabel na stejnosměrný proud | 1 |
| Taška na nářadí | 1 |

| Součást | Množství |
|--------------------------------|----------|
| Plastové matice | 8 |
| Šestihranný šroub M8 × 50 | 8 |
| Plochá podložka M8 | 8 |
| Pérová podložka M8 | 8 |
| Krytka kolejnice | 4 |
| Držák ve tvaru U | 4 |
| Náhradní tyč pro ruční stavění | 2 |
| Šestihranný klíč ve tvaru L | 2 |
| Šroubovák | 1 |

Použití v souladu s účelem

Tento střešní stan je vhodný pro:

- montáž na vhodný střešní nosič na střeše vhodného vozidla.
- jasné až mírně oblačné počasí,
- turistiku.

Tento střešní stan **není** vhodný pro:

- používání osobami se sníženými fyzickými, smyslovými nebo duševními schopnostmi.
- velmi silný vítr nebo sněžení,
- sezónní kempování nebo komerční použití.

Tento výrobek je vhodný pouze k určenému účelu a použití v souladu s tímto návodem.

Tento návod poskytuje informace, které jsou nezbytné pro řádnou instalaci a/nebo provoz výrobku. Nedostatečná instalace a/nebo nesprávný provoz či údržba povedou k neuspokojivému výkonu a možné závadě.

Výrobce nepřijímá žádnou odpovědnost za jakékoli zranění nebo poškození výrobku vyplývající z následujícího:

- Nesprávné sestavení nebo připojení včetně nadměrného napětí
- Nesprávná údržba nebo použití jiných náhradních dílů než původních dílů dodaných výrobcem
- Změna výrobku bez výslovného souhlasu výrobce
- Použití k jiným účelům, než jsou popsány v tomto návodu

Společnost Dometic si vyhrazuje právo změnit vzhled a specifikace výrobku.

Rádiové zařízení v přístroji vyhovuje požadavkům směrnice 2014/53/EU. Prohlášení o shodě pro přístroj najdete na documents.dometic.com.

Technický popis

Tento střešní stan je vybaven elektrickým motorem a bezdrátovým dálkovým ovladačem pro stavění a skládání. Elektrický motor je vybaven ochranou proti přehřátí.

Střešní stan lze také postavit ručně pomocí dodaných náhradních tyčí.

Součástí střešního stanu je pěnová matrace s vysokou hustotou.

Pro přepravu na střeše vozidla lze střešní stan složit a zakrýt dodaným krytem stanu.

Ovládací prvky

| Č. na obr. 1 , strana 3 | Popis | Vysvětlení |
|--------------------------------|-----------------|------------------------------------|
| 1 | Tlačítko NAHORU | Postaví střešní stan. |
| 2 | Tlačítko DOLŮ | Složí střešní stan. |
| 3 | Tlačítko STOP | Zastaví postup stavění a skládání. |

Používání střešního stanu



VÝSTRAHA! Riziko zranění

- Před výstupem po žebříku se ujistěte, že je střešní stan pevně připevněn k střešnímu nosiči.
- Před vstupem do střešního stanu nebo výstupem z něj se ujistěte, že je žebřík pevně zaháknutý do základního rámu střešního stanu.
- Na žebřík vždy lezte opatrně.
- Před spaním zavřete vstupní dveře střešního stanu, abyste zabránili vypadnutí ze střešního stanu během spánku.
- Dálkový ovladač používejte pouze k ovládání střešního stanu ze země.



POZOR! Nebezpečí poškození

Při stavění nebo skládání střešního stanu mějte otevřená boční okna.

Před prvním použitím

Před prvním použitím se s výrobkem obeznamte tak, že provedete jeho první zkušební stavění. Zkontrolujte, zda je dodávka kompletní.

Montáž střešního stanu



VÝSTRAHA! Riziko zranění

- Při zvedání střešního stanu ve dvou na střechu vozidla se ujistěte, že se v blízkosti vozidla nenachází žádné další osoby, zejména děti.
- Střešní stan zvedejte na střechu vozidla společně s další způsobilou osobou, abyste zabránili pádu střešního stanu.
- Střešní stan namontujte rovnoběžně s linií vozovky, nikoliv pod úhlem, abyste zabránili vzniku nadměrné zvedací síly.
- Všechny šrouby upevněte tak, aby byly dostatečně zajištěny.

Montáž pro elektrické stavění

- Postupujte podle obrázků (obr. **2**, strana 3 – obr. **4**, strana 3).

Montáž pro ruční stavění

- Viz kap. „Ruční stavění střešního stanu“ na strani 65.

Stavění střešního stanu

Elektrické stavění střešního stanu



VÝSTRAHA! Riziko zranění

Po postavení střešního stanu odpojte napájecí kabel na stejnosměrný proud od napájecího zdroje.



POZNÁMKA

Pokud elektrické stavění nefunguje, postavte střešní stan ručně (viz kap. „Ruční stavění střešního stanu“ na strani 65).

- Postupujte podle obrázků (obr. **5**, strana 4 – obr. **10**, strana 5 a obr. **17**, strana 7).

Ruční stavění střešního stanu



VÝSTRAHA! Riziko zranění

Nepokoušejte se vyměnit tyče, pokud je střešní stan namontován na střeše vozidla.

**POZOR! Hmotná škoda**

Nepokoušejte se vyjmout náhradní tyče zesponu střešního stanu, pokud je střešní stan namontován na střeše vozidla. Mohlo by dojít k poškození laku vozidla.

1. Pokud je střešní stan již namontován na střešním nosiči, demontujte nejprve střešní stan opačným postupem než při montáži.
2. Postupujte podle obrázků (obr. 11, strana 5 – obr. 17, strana 7).

Skládání střešního stanu**VÝSTRAHA! Riziko zranění**

Před složením střešního stanu se ujistěte, že se v něm nenačázejí žádné osoby ani předměty.

**POZOR! Hmotná škoda**

- Při skládání a zakrývání střešního stanu se ujistěte, že je střešní stan suchý.
- Pokud je v rámu přítomna voda, postavte stan tak, aby se voda vylila ven.

- Postupujte v opačném pořadí než při stavění.

Uložení střešního stanu**Uložení na střeše vozidla****VÝSTRAHA! Riziko zranění**

- Z důvodu bezpečnosti ostatních účastníků silničního provozu a úspory paliva ukládejte střešní stan během jízdy pouze na střechu vozidla.
- Pokud střešní stan delší dobu nepoužíváte, sundejte jej a uložte podle kap. „Skládání po delší dobu“ na straně 66.
- Dodržujte bezpečnostní pokyny pro přepravu střešního stanu na střeše vozidla (viz kap. „Bezpečnost při přepravě střešního stanu na střeše vozidla“ na straně 64).

1. Složte střešní stan (viz kap. „Skládání střešního stanu“ na straně 66).
2. Uložte žebřík na složený střešní stan (obr. 18, strana 7).
3. Na složený střešní stan nasadte kryt stanu a pevně připevněte měkké popruhy na krytu stanu.

Skládání po delší dobu

1. Střešní stan demontujte ze střešního nosiče.
2. V případě potřeby střešní stan vyčistěte (viz kap. „Čištění a péče“ na straně 66.)
3. Před zabalením se ujistěte, že je střešní stan zcela suchý.
4. Skladujte na dobře větraném a suchém místě.

Čištění a péče**VÝSTRAHA! Riziko zranění**

Střešní stan čistěte a udržujte pouze na zemi. Nikdy nestoupejte na vozidlo za účelem čištění střešního stanu, pokud je namontován na střeše.

**POZOR! Hmotná škoda**

- K čištění nepoužívejte žádné ostré nebo tvrdé předměty ani čisticí prostředky.
- K čištění nepoužívejte materiály na bázi alkoholu, chemikálie, mýdlo a mycí prostředky.
- Co nejdříve odstraňte ptačí trus a stromovou pryskyřici, aby nedošlo k trvalému poškození materiálu.

**POZNÁMKA**

- Střešní stan pro účely čištění zcela postavte.
- Pro čištění si vyberte slunečný den, abyste zajistili důkladné vyschnutí materiálu.

- V případě potřeby výrobek očistěte čistou vlažnou vodou a měkkým kartáčem.
- Před každou jízdou naneste impregnační prostředek proti skvrnám vody a UV záření.
- Švy a zipy ošetřujte vhodnými ošetřujícími prostředky.
- Motorizované tlačné tyče udržujte v čistotě otíráním čistým suchým hadříkem.

Odstraňování poruch a závad**POZNÁMKA**

- Při prvním vystavení vodě může být ve švech určitá vlhkost. Z důvodu této vlhkosti budou vlákna bobtnat a vyplní otvory, které byly vytvořeny při šití.
- Plně vybavená sada náhradních dílů by měla obsahovat:
 - vodoodpudivý sprej,
 - záplatovou pásku a opravný roztok,
 - silikonový sprej na zipy,
 - náhradní kolíky.

| Problém | Náprava |
|--|---|
| Únik vody | <ul style="list-style-type: none"> ➤ Zkontrolujte těsnost švů, poškození pásek a vlhká místa. ➤ Pokud nelze žádné úniky najít, viz kap. „Kondenzát“ na straně 66. ➤ Pokud zjistíte nějaké úniky, naneste těsnicí hmotu. |
| Trhlina v plachtě | <ul style="list-style-type: none"> ➤ Kutěsnění plachty použijte záplatovou pásku. ➤ Opravy svěřte autorizovanému odborníkovi. |
| Motor nebo dálkový ovladač nefunguje | <ul style="list-style-type: none"> ➤ Použijte náhradní tyče pro ruční stavění (viz kap. „Ruční stavění střešního stanu“ na straně 65). ➤ Opravu elektrického motoru nebo motorizovaných tlačných tyčí nechte provést autorizovaným odborníkem. ➤ Vyměňte baterii dálkového ovladače. |
| Háky žebříku jsou opotřebované nebo zlomené | <ul style="list-style-type: none"> ➤ Obraťte se na výrobce a požádejte o výměnu. |
| Hluk při stavění nebo skládání střešního stanu | <ul style="list-style-type: none"> ➤ Zkontrolujte tyče a spoje. ➤ Opravy svěřte autorizovanému odborníkovi. |

Kondenzát

Všechny stany jsou vystaveny vnitřnímu kondenzátu, pokud platí jedna nebo více následujících podmínek:

- vysoká vlhkost vzduchu
- pokles teploty

Silný kondenzát může stékat po vnitřní straně střechy a odkapávat z pásků, pásek a jiných vnitřních prvků a být zaměněn za únik.

- Zvyšte větrání otevřením dveří a/nebo oken.

Likvidace

- Obalový materiál likvidujte v odpadu určeném k recyklaci.



Jakmile výrobek zcela vyřadíte z provozu, informujte se v příslušných recyklačních centrech nebo u specializovaného prodejce o příslušných předpisech o likvidaci odpadu.

Odpovědnost za vady



Na výrobek je poskytována záruka v souladu s platnými zákony. Pokud je výrobek vadný, kontaktujte svého specializovaného prodejce nebo pobočku výrobce ve vaší zemi (viz dometic.com/dealer).

K vyřízení opravy nebo záruky nezapomeňte odeslat následující dokumenty:

- Kopii účtenky s datem zakoupení,
- Uvedení důvodu reklamace nebo popis vady.

Záruka se vztahuje na výrobní vady, materiály a díly. Záruka se nevztahuje na vyblednutí krytu a opotřebení způsobené UV zářením, nesprávným použitím, náhodným poškozením, poškozením bouří nebo trvalým, polo-trvalým nebo komerčním použitím. Nevztahuje se na žádné následné škody. Pro reklamaci se prosím obraťte na svého prodejce. Tím nejsou dotčena vaše zákonná práva.

Technické údaje

| | TRT120E |
|--------------------------------------|---|
| Napájecí napětí: | 12 V(ss) |
| Příkon: | 20 W |
| Minimální jmenovitý proud zásuvky: | 10 A |
| Frekvence dálkového ovladače: | 433 MHz |
| Hloubka pěnové matrace: | 5 cm |
| Rozměry vnitřního stanu (Š × V × H): | 120 × 100 × 200 cm |
| Rozměry vnějšího stanu (Š × V × H): | 132 × 115 × 218 cm |
| Rozměry balení (Š × V × H): | 144 × 32 × 229 cm |
| Hmotnost (včetně žebříku): | 53 kg |
| Shoda: |   |

A termék mindenkor szakszerű telepítése, használata és karbantartása érdekében kérjük figyelmesen olvassa el az ebben a termék kézikönyvben található utasításokat, irányelveket és figyelmeztetéseket, valamint mindig tartsa be ezeket. Ezt az útmutatót a termék közelében KELL tartani.

A termék használatba vételével Ön kijelenti hogy figyelmesen elolvasta az összes utasítást, irányelvet és figyelmeztetést, valamint megértette és elfogadja az itt leírt szerződési feltételeket. Ön elfogadja, hogy kizárólag a rendeltetésének megfelelő célra és a jelen termék kézikönyvben leírt útmutatásoknak, irányelveknek és figyelmeztetéseknek, valamint a hatályos törvényeknek és szabályozásoknak megfelelően használja ezt a terméket. Az itt leírt utasítások és figyelmeztetések elolvasásának és betartásának elmulasztása saját és mások sérüléséhez, a termék vagy a közelben található más anyagi javak károsodásához vezethet. Ez a termék kézikönyv és a benne található utasítások, irányelvek és figyelmeztetések, valamint a kapcsolódó dokumentációk módosulhatnak és frissülhetnek. Naprakész termékinformációk érdekében kérjük látogasson el a következő honlapra: domestic.com.



VESZÉLY!

Biztonsági megjegyzés olyan veszélyes helyzetre vonatkozóan, amely halált vagy súlyos sérülést okoz, ha nem kerül el.



FIGYELMEZTETÉS!

Biztonsági megjegyzés olyan veszélyes helyzetre vonatkozóan, amely halált vagy súlyos sérülést okozhat, ha nem kerül el.



FIGYELEM!

Felhívás olyan helyzetre, amely dologi kárt okozhat, ha nem kerül el.



MEGJEGYZÉS

A termék kezelésére vonatkozó kiegészítő információk.

Általános biztonsági útmutatások



VESZÉLY! Ennek az útmutatásnak a figyelmen kívül hagyása súlyos vagy halálos sérüléshez vezet.

Szénmonoxid mérgezés veszélye

- A tetősátorban tilos üzemanyagot égető készülékeket, például grillezőket, vagy gázmelegítőket alkalmazni. Az égés szénmonoxidot termel, amely mivel nincs légmozgás, felhalmozódik a sátorban.



FIGYELMEZTETÉS! Ezeknek a figyelmeztetéseknek a figyelmen kívül hagyása súlyos, vagy halálos sérüléshez vezethet.

Tűzveszély

- Győződjön meg róla, hogy ismeri a helyszíni tűzvédelmi intézkedéseket.
- A tetősátorban tilos főzni, vagy nyílt lángot használni.

Fulladásveszély

- A fulladás elkerülése érdekében biztosítsa, hogy a szellőzőnyílások mindig nyitva legyenek.

Sérülés kockázata

- Ez a készülék nem alkalmas csökkent fizikai, érzékszervi vagy szellemi képességekkel rendelkező személyek (ideértve a gyermekeket is) általi használatra.
- Ne engedje, hogy gyermekek játsszanak a tetősátorral, és gondoskodjon arról, hogy a távirányítót mindig gyermekektől elzárva tárolja.
- A tisztítást és a felhasználói karbantartást gyermekek nem végezhetik.
- Mielőtt felállítja és használja a tetősátrat, mindig ellenőrizze az időjárás-előrejelzést.
 - Ha vihart vagy zivart jeleznek, ne használja a tetősátrat.
 - Ha zivatarba kerül, azonnal hagyja el a tetősátrat, és helyezze magát biztonságba a járművében. A villámcsapás elkerülése érdekében maradjon a járművében, amíg a zivatar el nem múlik.
 - Ha nagyon szeles az idő, ne állítsa fel, ne használja és ne hajtja le a tetősátrat.
 - Intenzív esőben ne hajtja le a tetősátort.



FIGYELEM! Károsodás veszélye

- Ne módosítsa vagy próbálja megjavítani az elektromos motort vagy az elektromos tolórudakat.
- Lehajtott állapotban ne nyomja lefelé a tetősátort.
- Tartsa szárazon a távirányítót.



MEGJEGYZÉS

- Mindig tartsa magánál a jármű és a tetőcsomagtartó kézikönyvét, és kövesse az abban található útmutatásokat.

Biztonság a tetősátor a jármű tetején történő szállításkor



FIGYELMEZTETÉS! Ezeknek a figyelmeztetéseknek a figyelmen kívül hagyása súlyos, vagy halálos sérüléshez vezethet.

Sérülés kockázata

- Csak akkor közlekedjen a jármű tetején elhelyezett tetősátorral, ha a tetősátor le van hajtva és a sátorborítással megfelelően le van takarva.
- Ha a tetősátor a jármű tetején van, ne haladjon 110 km/óránál gyorsabban.
- Minden utazás kezdetén és az utazás során rendszeres időközönként ellenőrizze, hogy a tetősátor stabilan rögzítve van-e a tetőcsomagtartón, és hogy a sátorborítás biztonságosan rögzítve van-e. Mindig biztosítsa, hogy a tetősátor biztonságos és megfelelő helyen legyen.
- A nem rögzített rakomány és a nem megfelelően felszerelt tetőcsomagtartó vagy tetősátor útközben elveszhet és leesésekor más közlekedőket is megsebesíthet.
- A létra leesésének és más közlekedők megsebesítésének elkerülése érdekében ügyeljen arra, hogy a létrát az összehajtogatott tetősátor tetején és a sátorborítás alatt megfelelően tárolja.
- Igazítsa vezetési magatartását a járműmagasság változásához (pl. oldalszél-érzékenység, kanyarodási és fékezési viselkedés).
- Az egyenáramú tápkábelt utazás közben le kell választani a tápegységről.
- Ne állítsa fel vagy hajtja le a tetősátrat, amíg a jármű mozgásban van.



FIGYELEM! Károsodás veszélye

- A tetősátor növeli a jármű magasságát. Ügyeljen az alacsony bejáratokra, alacsony hidakra, alacsony ágakra és egyéb akadályokra.
- Automatika autómósás előtt távolítsa el a tetősátrat és a tetőcsomagtartót.



MEGJEGYZÉS

- Ha a tetősátorral a jármű tetején közlekedik növekedhet a szélzaj.

A csomag tartalma

| Szerkezeti elem | Mennyiség |
|----------------------------------|-----------|
| Előre összeszerelt tetősátor | 1 |
| Teleszkópos alumínium létra | 1 |
| Sátorborítás | 1 |
| Vezeték nélküli távirányító | 1 |
| Egyenáramú kábel | 1 |
| Szerszámzsák | 1 |
| Műanyag anyacsavarok | 8 |
| M8 x 50 hatlapfejű csavar | 8 |
| M8 lapos alátét | 8 |
| M8 hasított alátét | 8 |
| Sínkupak | 4 |
| U-alakú konzol | 4 |
| Tartalék rúd kézi felállításához | 2 |
| L-alakú hatlapú csavarkulcs | 2 |
| Csavarhúzó | 1 |

Rendeltetésszerű használat

Ez a tetősátor a következőkhöz alkalmas:

- egy a célra alkalmas jármű megfelelő tetőcsomagtartójára történő felszerelés
- nyugodt és mérsékleten nyugodt időjárás
- túrázás

Ez a tetősátor a következőkhöz **nem** alkalmas:

- korlátozott fizikai, érzékelési, vagy mentális képességekkel rendelkező személy általi használat
- igen erős szelek vagy hóesés
- egész évszakos felállítás vagy professzionális használat

Ez a termék az itt leírt utasításoknak megfelelő rendeltetésszerű használatra alkalmas.

Ez a kézikönyv olyan információkat nyújt, amelyek a termék szakszerű telepítéséhez és/vagy üzemeltetéséhez szükségesek. A hibás telepítés és/vagy a szakszerűtlen üzemeltetés vagy karbantartás elégtelen teljesítményhez és potenciálisan meghibásodáshoz vezethet.

A gyártó nem vállal felelősséget a termék olyan károsodásáért, vagy sérülésekért, amelyek a következőkre vezethetők vissza:

- Hibás összeszerelés vagy csatlakoztatás, ideértve a túlfeszültséget is
- Helytelen karbantartás, vagy a gyártó által szállított eredeti cserealkatrészekről eltérő cserealkatrészek használata
- A termék kifejezett gyártói engedély nélküli módosítása
- Az útmutatóban leírt céloktól eltérő felhasználás

A Dometic fenntartja a termék megjelenésének és specifikációjának módosítására vonatkozó jogát.

A rádiófrekvenciás berendezés megfelel a 2014/53/EU irányelv követelményeinek. A készülék megfelelőségi nyilatkozatát a documents.dometic.com honlapon találhatja meg.

Műszaki leírás

Ez a tetősátor a felállításához és összecukáshoz elektromos motorral és vezeték nélküli távirányítóval van ellátva. Az elektromos motor túlmelegedés elleni védelemmel rendelkezik.

A mellékelt tartalék rudak segítségével a tetősátor kézzel is felállítható.

A tetősátor tartalmaz egy nagysűrűségű habzivacs matracot.

A jármű tetején történő szállításhoz a tetősátor lehajtható és letakarható a mellékelt sátorborítással.

Kezelőelemek

| Számokat lásd: | Leírás | Magyarázat |
|---------------------------------|-----------|--|
| 1. ábra, 3. oldal | | |
| 1 | FEL gomb | Felállítja a tetősátrat. |
| 2 | LE gomb | Összecukja a tetősátrat. |
| 3 | STOP gomb | Megállítja a felállítás és az összecukási műveletet. |

A tetősátor használata



FIGYELMEZTETÉS! Sérülés kockázata

- Mielőtt felmászik a létrára, győződjön meg róla, hogy a tetősátor stabilan rögzítve van a tetőcsomagtartóhoz.
- Mielőtt belép a tetősátorba, vagy elhagyja azt, győződjön meg arról, hogy a létra stabilan be van akasztva a tetősátor alapkeretébe.
- Mindig óvatosan másszon fel a létrára.
- Alvás közben a tetősátorból történő kiesés megakadályozása érdekében mielőtt lefekszik aludni, zárja be a tetősátor bejárati ajtaját.
- A tetősátrat csak a távirányítóval irányítsa a földről.



FIGYELEM! Károsodás veszélye

A tetősátor felállítása vagy összecukása közben hagyja nyitva az oldalsó ablakokat.

Az első használat előtt

Mielőtt először használná a terméket, egy próbafelállítás végrehajtásával ismerkedjen meg a termékkel. Ellenőrizze a kiszállított csomag hiánytalanságát.

A tetősátor felszerelése



FIGYELMEZTETÉS! Sérülés kockázata

- Amikor Ön és segítőtje felemeli a tetősátrat a jármű tetejére, győződjön meg róla, hogy más személyek, különösen gyermekek nem tartózkodnak a jármű közelében.
- A tetősátor lezuhanásának megelőzése érdekében a tetősátrat egy másik alkalmas személlyel együtt emelje fel a jármű tetejére.
- A túl nagy emelőerő elkerülése érdekében a tetősátrat az út irányával párhuzamosan és ne ferdén szerelje fel.
- Megfelelően rögzítsen minden csavart.

Szerelés elektromos felállításához

- ▶ Az ábrán bemutatott módon járjon el **2.** ábra, 3. oldal – **4.** ábra, 3. oldal).

Szerelés kézi felállításához

- ▶ Lásd: „A tetősátor kézi felállítása” fejr., 70. oldal.

A tetősátor felállítása

A tetősátor elektromos felállítása



FIGYELMEZTETÉS! Sérülés kockázata

A tetősátor felállítása után húzza ki az egyenáramú tápkábelt a tápegységből.



MEGJEGYZÉS

Ha az elektromos felállítás nem működik, állítsa fel kézzel a tetősátrat (lásd: „A tetősátor kézi felállítása” fejr., 70. oldal).

- Az ábrán bemutatott módon járjon el (5. ábra, 4. oldal – 10. ábra, 5. oldal és 17. ábra, 7. oldal).

A tetősátor kézi felállítása



FIGYELMEZTETÉS! Sérülés kockázata

Ne próbálja meg kicserélni a rudakat, amíg a tetősátor fel van szerelve a jármű tetejére.



FIGYELEM! Anyagi kár

Ne próbálja meg eltávolítani a tartalék rudakat a tetősátor alól, amíg a tetősátor fel van szerelve a jármű tetejére. Ez károsíthatja a jármű fényezését.

1. Ha a tetősátor már fel van szerelve a tetőcsomagtartóra, először a szerelési lépések fordított irányú végrehajtásával szerelje le a tetősátrat.
2. Az ábrán bemutatott módon járjon el (11. ábra, 5. oldal – 17. ábra, 7. oldal).

A tetősátor lehajtása



FIGYELMEZTETÉS! Sérülés kockázata

Mielőtt a tetősátrat lehajítja, győződjön meg róla, hogy a tetősátorban nincsenek személyek vagy tárgyak.



FIGYELEM! Anyagi kár

- A tetősátor lehajtásakor és letakarásakor győződjön meg arról, hogy a tetősátor száraz.
- Ha a keretben víz van, a víz kiöntése érdekében állítsa fel a tetősátrat.

- Végezze el fordított sorrendben a felállítás lépéseit.

A tetősátor tárolása

Tárolás a jármű tetején



FIGYELMEZTETÉS! Sérülés kockázata

- A többi közlekedő biztonsága és az üzemanyag-takarékosság érdekében a tetősátrat csak utazáskor tárolja a jármű tetején.
- Ha hosszabb ideig nem használja a tetősátrat, vegye le, és tárolja a „Hosszabb ideig tartó tárolás” fejr., 70. oldal szakaszban leírtaknak megfelelően.
- Tartsa be a tetősátor a jármű tetején történő szállítására vonatkozó biztonsági előírásokat (lásd „Biztonság a tetősátor a jármű tetején történő szállításakor” fejr., 68. oldal).

1. Hajtsa le a tetősátrat (lásd: „A tetősátor lehajtása” fejr., 70. oldal).
2. A létrát az összehajtott tetősátoron tárolja (18. ábra, 7. oldal).
3. Helyezze a sátorborítást az összehajtogatott tetősátorra, és szorosan húzza be a sátorborítás puha szíjait.

Hosszabb ideig tartó tárolás

1. Szerelje le a tetősátrat a tetőcsomagtartóról.
2. Szükség esetén tisztítsa meg a tetősátrat (lásd: „Tisztítás és karbantartás” fejr., 70. oldal).
3. Elpakolás előtt győződjön meg arról, hogy a tetősátor teljesen száraz-e.
4. Jól szellőző, száraz helyen tárolja.

Tisztítás és karbantartás



FIGYELMEZTETÉS! Sérülés kockázata

A tetősátrat csak a földön tisztítsa és tartsa karban. A tetősátor tisztításához, soha ne másszon fel a járműre, amíg az a tetőre van szerelve.



FIGYELEM! Anyagi kár

- A tisztításhoz ne használjon éles vagy kemény tárgyakat, vagy tisztítószerkeket.
- A tisztításhoz ne használjon alkohol alapú anyagokat, vegyszereket, szappant és tisztítószerkeket.
- Távolítsa el a madárürüléket és a fák gyantáját, mivel ezek tartósan károsíthatják az anyagot.



MEGJEGYZÉS

- A tisztításhoz teljesen állítsa fel a tetősátrat.
- Az anyag teljes megszáradása érdekében a tisztítást egy napsütöses napon végezze.

- Szükség esetén tiszta, kézmeleg vízzel és puha kefével tisztítsa meg a terméket.
- Minden egyes út előtt alkalmazzon víz-, szennyeződé-, és UV-ellenes impregnálást.
- A varrásokot és a cipzárokat megfelelő ápolószerekkel ápolja.
- Tiszta, száraz kendővel történő áttöréssel tartsa tisztán a motoros tolórudakat.

Hibaelhárítás



MEGJEGYZÉS

- A vízzel való első érintkezés során némi nedvesség jelenhet meg a varratoknál. A nedvesség hatására a szálak megduzzadnak és kitöltik a varrási művelet során keletkezett lyukakat.
- Egy teljesen felszerelt cserealkatrész készlet a következőket tartalmazza:
 - impregnálószert
 - javítószalag és javítási megoldás
 - szilikonspray a cipzárokhöz
 - tartalék csapok

| Probléma | Megoldás |
|--|---|
| Vízszivárgás | <ul style="list-style-type: none"> ➤ Ellenőrizze a szivárgó varratokat, sérült illesztéseket és a nedves területeket. ➤ Ha nem talál szivárgást, lásd: „Páralecsapódás” fejr., 71. oldal. ➤ Ha szivárgást talál, vigyen fel varrat tömítőanyagot. |
| Szakadás a szövetségben | <ul style="list-style-type: none"> ➤ A szövet lezárásához használja a javítószalagot. ➤ A javításokat hivatalos szakemberrel végeztesse el. |
| Nem működik a motor, vagy a távirányító | <ul style="list-style-type: none"> ➤ A kézi felállításához használja a tartalék rudakat (lásd: „A tetősátor kézi felállítása” fejr., 70. oldal). ➤ Az elektromos motor vagy a motoros tolórudak javítását engedéllyel rendelkező szakemberrel végeztesse el. ➤ Cserélje ki a távirányítóban az elemet. |
| A létrakampók elhasználódtak vagy eltörték | <ul style="list-style-type: none"> ➤ Csere érdekében forduljon a gyártóhoz. |
| Zaj a tetősátor felállítása vagy összecsapása közben | <ul style="list-style-type: none"> ➤ Ellenőrizze a rudakat és az illesztéseket. ➤ A javításokat hivatalos szakemberrel végeztesse el. |

Páralecsapódás

Ha a következő feltételek közül egy vagy több teljesül, akkor minden sátorban kialakul belső páralecsapódás:

- magas a levegő páratartalma
- lecsökken a hőmérséklet

Erős páralecsapódás esetén a nedvesség lefolyhat tető belső részén és csöpöghet a rögzítőkről, szalagokról és más belső szerelvényekről, és ezt hibásan szivárgásnak lehet vélni.

► Az ajtók és/vagy ablakok nyitásával növelje a szellőzést.

Ártalmatlanítás

► A csomagolóanyagot lehetőleg a megfelelő újrahasznosítható hulladék közé tegye.



Ha a terméket véglegesen kivonja a forgalomból, kérjük, tájékozzódjon a legközelebbi hulladékártalmatlanító központnál vagy a szakkereskedőjénél az idevonatkozó ártalmatlanítási előírásokkal kapcsolatban.

Szavatosság

A termékre a törvény szerinti szavatossági időszak érvényes. Amennyiben a termék meghibásodott, lépjen kapcsolatba a kiskereskedővel, vagy a gyártó helyi képviselőjével (lásd: dometic.com/dealer).

A javításhoz, illetve a garancia adminisztrációhoz a következő dokumentumokat kell mellékelnie a termék beküldésekor:

- A számla vásárlási dátummal rendelkező másolatát
- A reklamáció okát vagy a hibát tartalmazó leírást

A szavatosság a gyártási hibákra, az anyag és alkatrészhibákra vonatkozik. A szavatosság nem vonatkozik a burkolat kifakulására, az UV-sugárzás miatti kopásra és elhasználódásra, a helytelen használatra, a véletlen károsításra, a vihar általi károokra, vagy az állandó és részleges kereskedelmi használatra. Nem vonatkozik következményes károokra. Igény érvényesítése érdekében forduljon kereskedőjéhez. Ez nem befolyásolja a törvény által biztosított jogait.

Műszaki adatok

| | TRT120E |
|--|---|
| Csatlakozási feszültség: | 12 V DC |
| Teljesítményfelvétel: | 20 W |
| Minimális névleges aljzat áramerősség: | 10 A |
| Távírányító frekvenciája: | 433 MHz |
| Habszivacs magassága: | 5 cm |
| Belső sátor méretei (szé x ma x mé): | 120 x 100 x 200 cm |
| Külső sátor méretei (szé x ma x mé): | 132 x 115 x 218 cm |
| Csomagolás méretei (szé x ma x mé): | 144 x 32 x 229 cm |
| Súly (létrával): | 53 kg |
| Megfelelőség: |   |

يرجى قراءة هذه التعليمات، والإرشادات، والتحذيرات الواردة في دليل المنتج المشار إليه واتباعها بعناية للتأكد من تركيب المنتج، واستخدامه، وصيانته بشكل صحيح في جميع الأوقات. يجب أن تحفظ هذه التعليمات مع هذا المنتج. باستخدام هذا المنتج، في ذلك تؤكد بمقتضى ذلك أنك قد قرأت إخلاء المسؤولية المشار إليها، وكافة التعليمات، والإرشادات، والتحذيرات بعناية وأنك تفهم الشروط والأحكام وتوافق على الالتزام بها على النحو المنصوص عليه هنا. كما توافق على استخدام هذا المنتج فقط للغرض والاستعمال المقصود وفقاً للتعليمات، والإرشادات، والتحذيرات على النحو المنصوص عليه في دليل المنتج المشار إليه وكذلك وفقاً لجمع القوانين واللوائح المعمول بها. قد يؤدي عدم قراءة التعليمات والتحذيرات المنصوص عليها في هذه الوثيقة واتباعها إلى حدوث إصابة لك وللاخرين أو تلف منتجك أو تلف الممتلكات الأخرى الموجودة بالقرب منه. قد يخضع دليل المنتج المشار إليه، بما فيه من تعليمات وإرشادات وتحذيرات، والوثائق ذات الصلة للتغيير والتحديث. للحصول على أحدث معلومات عن المنتج، يُرجى زيارة dometic.com.

ملحوظة



- احتفظ دائماً بدليل تشغيل السيارة وخيمة السقف معك واتباع التعليمات الواردة فيه.

السلامة عند نقل خيمة السقف على سطح السيارة

تحذير! عدم الالتزام بهذه التحذيرات قد يسفر عنه الوفاة أو التعرض لإصابات خطيرة.



خطر حدوث إصابات

- في حال كانت خيمة السقف مركبة على سطح سيارتك يمكنك القيادة فقط إذا كانت خيمة السقف مطوية للأسفل ومغطاة بخيمة السقف بشكل صحيح.
- لا تقم بقيادة السيارة بسرعة تزيد عن 110 كم عندما تكون خيمة السقف مركبة على سطح سيارتك.
- عند بداية كل رحلة وعلى فترات منتظمة خلال الرحلة، عليك التحقق من أن خيمة السقف المركبة على السطح مثبتة بشكل محكم على حامل السقف وأن الغطاء مركب بشكل آمن. تأكد دائماً من أن خيمة السقف مركبة في مكان آمن ومناسب.
- من الممكن فقدان الحمولة غير المؤمنة وحامل السقف وخيمة السقف المركبة بشكل غير صحيح أثناء الرحلة وإصابة مستخدمي الطريق الآخرين جراء سقوطها.
- تأكد من تخزين السلم بشكل صحيح على خيمة السقف المطوية وأن يكون تحت غطاء الخيمة من أجل عدم سقوطه أثناء الرحلة وإلحاق الأضرار بمستخدمي الطريق الآخرين خلال الرحلة.
- تأكد من موثمة سلوكك أثناء القيادة (مثلاً الإحساس بالرياح المستعرضة، المنعطفات والسلوك الفرمل) للتكيف مع تيير ارتفاع السيارة.
- يجب فصل كابل التيار المستمر من مصدر الطاقة أثناء الرحلة.
- لا تقم بإعداد أو طي خيمة السقف للأسفل أثناء تحرك السيارة.

تنبيه! خطر التلف



- خيمة السقف تزيد من ارتفاع السيارة. احذر المداخل المنخفضة أو الجسور المنخفضة أو الأغصان المنخفضة وغيرها من العوائق.
- قم بإزالة خيمة السقف وحامل السقف عند غسل السيارة في مغسلة السيارات الأوتوماتيكية.

ملحوظة



- قد تصدر ضوضاء من الهواء أثناء القيادة عند وجود خيمة السقف على سطح السيارة.

محتويات التسليم

| المكونات | الكمية |
|---------------------------------|--------|
| خيمة السقف قبل التجميع | 1 |
| سلم ألومنيوم تلسكوبي | 1 |
| غطاء الخيمة | 1 |
| جهاز التحكم عن بعد لاسلكي | 1 |
| كابل طاقة التيار المستمر | 1 |
| حقيبة الأدوات | 1 |
| صواميل بلاستيكية | 8 |
| براغي سداسية 8 x 50 M8 | 8 |
| حلقات مسطحة M8 | 8 |
| حلقات مجزئة M8 | 8 |
| غطاء سكة | 4 |
| قوس على شكل U | 4 |
| عمود احتياطي لنصب الخيمة يدوياً | 2 |
| مفتاح ربط سداسي على شكل L | 2 |
| مفك براغي | 1 |

الاستخدام المقصود

خيمة السقف هذه تناسب:

- التركيب على حامل سقف لسطح سيارة مناسبة

خطر!



إرشادات السلامة: تشير إلى وجود وضع خطير إذا لم يتم تجنبه، سيؤدي إلى الوفاة أو حدوث إصابة خطيرة.

تحذير!



إرشادات السلامة: تشير إلى وجود وضع خطير إذا لم يتم تجنبه، يمكن أن يؤدي إلى الوفاة أو حدوث إصابة خطيرة.

تنبيه!



تشير إلى وجود وضع إذا لم يتم تجنبه، يمكن أن يؤدي إلى حدوث تلف الممتلكات.

ملحوظة



معلومات تكميلية لتشغيل المنتج.

إرشادات السلامة العامة

خطر! سيؤدي عدم الامتثال لهذه التعليمات إلى الوفاة أو إلى إصابات خطيرة.



خطر التسمم بأول أكسيد الكربون

- لا تستخدم أبداً أي جهاز حارق للوقود مثل شواية باريكيو أو سخانات الغاز داخل خيمة السقف. ينتج عن عملية الحرق غاز أول أكسيد الكربون والذي سيتراكم داخل الخيمة لعدم وجود مدخنة.

تحذير! عدم الالتزام بهذه التحذيرات قد يسفر عنه الوفاة أو التعرض لإصابات خطيرة.



خطر حريق

- تأكد من أنك تعرف التدابير الاحتياطية من الحريق في الموقع.
- لا تطبخ داخل خيمة السقف أو لا تستخدم اللهب المفتوح.

احذر الاختناق

- تأكد من أن فتحات التهوية مفتوحة طوال الوقت لتجنب الاختناق.

خطر حدوث إصابات

- إن هذا الجهاز غير مخصص للاستخدام من قِبل الأشخاص (بما في ذلك الأطفال) الذين يعانون من ضعف في القدرات الجسدية أو الحسية أو العقلية.
- عدم السماح للأطفال باللعب في خيمة السقف وتأكد من أن جهاز التحكم عن بعد ليس في متناول الأطفال طوال الوقت.
- لا يُسمح للأطفال بالقيام بأعمال التنظيف والصيانة الخاصة بالمستخدم.
- تحقق دائماً من توقعات الطقس قبل إعداد واستخدام خيمة السقف.
 - لا تستخدم خيمة السقف إذا تم الإعلان عن عاصفة أو عاصفة رعدية.
 - في حال واجهت عاصفة رعدية، غادر خيمة السقف على الفور وانتقل من أجل سلامتك إلى داخل سيارتك. ابق في سيارتك حتى تنتهي العاصفة الرعدية حتى لا تتعرض لصعقة البرق.
 - لا تقم بإعداد خيمة السقف أو استخدامها أو طيها للأسفل إذا كان الجو عاصفاً للغاية.
 - لا تقم بطي خيمة السقف للأسفل أثناء هطول الأمطار الغزيرة.
- لا تستخدم خيمة السقف في حالة وجود تلف مرئي في أي جزء أو في أي من مكوناتها. اتصل بالشركة المصنعة للحصول على المساعدة.
- استخدم فقط حوامل السقف المختبرة (مثلاً تم اختبارها من قِبل GS) والمعتمدة للاستخدام في سيارتك.
- قبل تركيب خيمة السقف، تأكد من أن سيارتك وأن حامل السقف يوفران سعة تحميل كافية لخيمة السقف والأشخاص والأشياء التي من المقرر إدخالها إلى خيمة السقف.

تنبيه! خطر التلف



- لا تقم بأي تعديل أو محاولة إصلاح للمحرك الكهربائي أو قضبان الدفع الكهربائية.
- لا تضغط على خيمة السقف للأسفل عندما يتم طيها للأسفل.
- حافظ على جهاز التحكم عن بعد جافاً.

تركيب خيمة السقف

- الطقس اللطيف الى المعتدل
- الأسفار

لا تناسب خيمة السقف هذه:

- الاستخدام من قبل الأشخاص الذين لديهم ضعف في القدرات الجسدية أو الحسية أو العقلية
- الرياح الشديدة أو تساقط الثلوج
- المناطق الموسمية أو الاستخدام التجاري

يناسب هذا المنتج الغرض والاستعمال المقصود منه فقط وفقاً لهذه التعليمات.

يوفر دليل التشغيل هذا معلومات ضرورية للتركيب و/أو التشغيل الصحيح للمنتج. سيؤدي سوء التركيب و/أو التشغيل الخاطئ والصيانة غير الصحيحة إلى أداء غير مرضي وعطل محتمل. لا تتحمل الشركة المصنعة أي مسؤولية عن أي ضرر أو تلف بالمنتج ناتج عن:

- عملية التجميع أو التوصيل غير الصحيحة بما في ذلك الجهد الزائد
- صيانة غير صحيحة أو استخدام قطع غيار غير أصلية وغير مقدمة من الشركة المصنعة
- إجراء تعديلات على المنتج دون حصول على إذن صريح من الشركة المصنعة
- الاستخدام في أغراض أخرى خلاف الأغراض الموضحة في هذا الدليل

تحتفظ شركة Dometic بالحق في تغيير شكل المنتج ومواصفاته.

يتوافق التجهيز اللاسلكي للجهاز مع متطلبات التوجيه EU/2014/53. يمكن العثور على المطابقة الخاصة بالجهاز على documents.dometic.com.

الوصف التقني

تم تجهيز خيمة السقف هذه بمحرك كهربائي وجهاز تحكم عن بعد لاسلكي للإعداد والطي. المحرك الكهربائي مزود بحماية من الحرارة الزائدة.

يمكن أيضاً إعداد خيمة السقف يدوياً باستخدام الأعمدة الاحتياطية المتوفرة.

تحتوي خيمة السقف على فرشاة إسفنجية عالية الكثافة.

للنقل على سطح السيارة، يمكن طي خيمة السقف للأسفل وتغطيتها بغطاء الخيمة المرفق.

عناصر التحكم

| الرقم في شكل 1، صفحة 3 | الوصف | الشرح |
|---------------------------|------------|----------------------------|
| 1 | زر الرفع | إعداد خيمة السقف. |
| 2 | زر الخفض | طي خيمة السقف للأسفل. |
| 3 | زر الإيقاف | إيقاف عملية الإعداد والطي. |

استخدام خيمة السقف

تحذير! خطر حدوث إصابات

- تأكد من أن خيمة السقف مثبتة بإحكام على السطح قبل الصعود على السلم.
- تأكد من أن السلم مثبت بشكل محكم بإطار قاعدة خيمة السقف قبل أن تدخل أو تغادر خيمة السقف.
- تسلق السلم دائماً بحذر.
- أغلق باب مدخل خيمة السقف قبل النوم لتجنب السقوط من خيمة السقف أثناء النوم.
- استخدم جهاز التحكم عن بعد فقط للتحكم في خيمة السقف من الأرض.

تنبيه! خطر التلف

حافظ على النوافذ الجانبية مفتوحة أثناء إعداد أو طي خيمة السقف.

قبل الاستخدام الأول

تعرف على المنتج عن طريق إجراء اختبار تم إعداده قبل استخدام المنتج لأول مرة. تحقق من أن حجم التسليم كاملاً.

تحذير! خطر حدوث إصابات

- تأكد من عدم وجود أي أشخاص آخرين وخاصة الأطفال بالقرب من السيارة عندما تقوم أنت والشخص الذي يساعدك برفع خيمة السقف على سطح السيارة.
- ارفع خيمة السقف على سطح سيارتك بمساعدة شخص آخر قادر على منع سقوط خيمة السقف.
- قم بتركيب خيمة السقف بشكل متوازي مع خط الطريق وليس بشكل زاوية لتجنب نشوء قوة رفع مفرطة.
- قم بتثبيت جميع البراغي بشكل آمن بما فيه الكفاية.

تركيب للإعداد الكهربائي

▶ اتبع الخطوات التالية (شكل 2، صفحة 3 – شكل 4، صفحة 3).

تركيب للإعداد اليدوي

▶ انظر فصل „إعداد خيمة السقف يدوياً“ صفحة 73.

نصب خيمة السقف

نصب خيمة السقف كهربائياً

تحذير! خطر حدوث إصابات

افصل كابل التيار المستمر من إمداد الطاقة بعد إعداد خيمة السقف.

ملحوظة

في حال لم يعمل الإعداد الكهربائي، فقم بإعداد خيمة السقف يدوياً (انظر فصل „إعداد خيمة السقف يدوياً“ صفحة 73).

▶ اتبع الخطوات التالية (شكل 5، صفحة 4 – شكل 10، صفحة 5 و شكل 17، صفحة 7).

إعداد خيمة السقف يدوياً

تحذير! خطر حدوث إصابات

لا تحاول تغيير الأعمدة أثناء تركيب خيمة السقف على سطح السيارة.

تنبيه! تلف المواد

لا تحاول إزالة الأعمدة الاحتياطية من تحت خيمة السقف بينما يتم تركيب خيمة السقف على سطح السيارة. قد يؤدي ذلك إلى حدوث أضرار في طلاء السيارة.

1. إذا كانت خيمة السقف مثبتة على حامل السقف مسبقاً، قم بفك خيمة السقف أولاً بالترتيب العكسي لعملية التركيب.

2. اتبع الخطوات التالية (شكل 11، صفحة 5 – شكل 17، صفحة 7).

طي خيمة السقف للأسفل

تحذير! خطر حدوث إصابات

تأكد من عدم وجود أي أشخاص أو أشياء في خيمة السقف قبل طي خيمة السقف للأسفل.

تنبيه! تلف المواد

- عند طي خيمة السقف للأسفل وتغطيتها، تأكد من أن خيمة السقف جافة.
- إذا كان الإطار يحتوي على ماء، فقم بإعداده لتفريغ الماء منه.

▶ قم بعكس عملية الإعداد.



تحذير! خطر حدوث إصابات

- من أجل سلامة مستخدمي الطريق الآخرين ولأسباب الاقتصاد في استهلاك الوقود، قم بتخزين خيمة السقف على سطح السيارة خلال الرحلة فقط.
- قم بإزالة خيمة السقف وتخزينها بشكل مناسب عند عدم استخدامها لفترة زمنية طويلة فصل، التخزين لفترة طويلة "صفحة 74".
- اتبع تعليمات السلامة الخاصة بنقل خيمة السقف على سطح السيارة (انظر فصل، "السلامة عند نقل خيمة السقف على سطح السيارة" صفحة 72).

1. اطوي خيمة السقف للأسفل (انظر فصل، "طي خيمة السقف للأسفل" صفحة 73).
2. قم بتخزين السلم على سطح خيمة السقف المطوية (شكل 18، صفحة 7).
3. ضع غطاء الخيمة على خيمة السقف المطوية وعلق الأشرطة الناعمة لغطاء الخيمة بإحكام.

التخزين لفترة طويلة

1. قم بفك خيمة السقف من حامل السقف.
2. إذا لزم الأمر، قم بتنظيف خيمة السقف (انظر فصل، "التنظيف والعناية" صفحة 74).
3. تأكد من جفاف خيمة السقف تماماً قبل التعبئة.
4. قم بتخزينها في مكان جاف جيد التهوية.

التنظيف والعناية



تحذير! خطر حدوث إصابات

قم بتنظيف خيمة السقف وصيانتها على الأرض. لا تتسلق السيارة أبداً لتنظيف خيمة السقف عندما تكون هذه مثبتة على السطح.



تنبيه! تلف المواد

- لا تستخدم أي أشياء حادة أو صلبة أو مواد للتنظيف.
- لا تستخدم المواد الكحولية أو الكيماويات أو الصابون أو المنظفات للتنظيف.
- قم بإزالة روث الطيور وصبغ الأشجار في أسرع وقت ممكن لتجنب تلف المواد.



ملحوظة

- قم بإعداد خيمة السقف بالكامل للتنظيف.
- اختر يوماً مشمساً للتنظيف لضمان جفاف المواد تماماً.

- ▶ إذا لزم الأمر، قم بتنظيف المنتج باستخدام الماء الفاتر وفرشاة ناعمة.
- ▶ استخدم مادة مانع تسرب الماء ضد بقع الماء والأشعة فوق البنفسجية قبل كل رحلة.
- ▶ حافظ على الدرزات والسحابات باستخدام منتجات العناية المناسبة.
- ▶ حافظ على نظافة قضبان الدفع الآلية من خلال مسحها بقطعة قماش جافة ونظيفة.

استكشاف الأخطاء وإصلاحها



ملحوظة

- عند التعرض للماء لأول مرة، من الممكن حدوث رطوبة في نطاق الدرزات. وقد تؤدي هذه الرطوبة إلى انتفاخ الخيوط وملء الثقوب التي تم إنشاؤها أثناء عملية الخياطة.
- يجب أن تتضمن مجموعة قطع الغيار المجهزة بالكامل الأشياء الإضافية التالية:
 - مقاوم للماء
 - شريط للإصلاح وسائل الإصلاح
 - بخاخ سيليكون للسحابات
 - أوتاد إضافية

| المشكلة | الحل |
|--|--|
| تسرب الماء | <ul style="list-style-type: none"> ▶ تحقق من تسربات في الدرزات، الأشرطة التالفة والمناطق الرطبة. ▶ إذا لم تستطع العثور على أي تسربات، انظر فصل، "التكثفات" صفحة 74. ▶ إذا عثرت على تسربات فقم باستخدام مانع التسرب. |
| مزق في القماش | <ul style="list-style-type: none"> ▶ استخدم شريط الإصلاح للقماش. ▶ يجب إجراء الإصلاحات من قِبل متخصص معتمد. |
| المحرك أو جهاز التحكم عن بعد لا يعمل | <ul style="list-style-type: none"> ▶ استخدم الأعمدة الاحتياطية لإعداد اليدوي (انظر فصل، "إعداد خيمة السقف يدوياً" صفحة 73). ▶ يجب إجراء إصلاحات المحرك الكهربائي أو قضبان الدفع الآلية من قِبل متخصص معتمد. ▶ استبدل البطاريات في جهاز التحكم عن بعد. |
| خطافات السلم تالفة أو مكسورة | <ul style="list-style-type: none"> ▶ اتصل بالشركة المصنعة لاستبدالها. |
| صدور ضوضاء أثناء إعداد أو طي خيمة السقف للأسفل | <ul style="list-style-type: none"> ▶ افحص الأعمدة والوصلات. ▶ يجب إجراء الإصلاحات من قِبل متخصص معتمد. |

التكثفات

تعاني جميع الخيام من تكاثف داخلي في حالة وجود شرط واحد أو أكثر من الشروط التالية:

- رطوبة هواء عالية
- انخفاض في درجة الحرارة

يمكن أن يسري التكاثف الشديد إلى الجزء الداخلي للسقف ويتقطر من الأشرطة والأشرطة والوصلات الداخلية الأخرى كما يمكن أن يحدث الاشتباه بالتسربات الخاطئة.

▶ قم بزيادة التهوية عن طريق فتح الأبواب و/أو النوافذ.

التخلص من الجهاز

▶ ضع مواد التغليف في الصناديق المناسبة الخاصة بالنفايات القابلة لإعادة التدوير قدر الإمكان.

عند إخراج المنتج من الخدمة بشكل نهائي، استعلم من فضلك من أقرب مركز إعادة تدوير أو لدى الموزع المعتمد في منطقتك عن لوائح التخلص من المخلفات ذات الصلة.



الضمان

يتم تطبيق فترة الضمان القانونية. إذا كان المنتج معيباً، يُرجى الاتصال ببائع التجزئة أو بفرع الشركة المصنعة في بلدك (انظر dometic.com/dealer).

لتنفيذ إجراءات الإصلاح والضمان، يجب إرفاق المستندات التالية مع الجهاز:

- نسخة من الفاتورة مع تاريخ الشراء
- سبب الشكوى أو وصف للعطل

يغطي الضمان عيوب التصنيع والمواد والقطع. لا يغطي الضمان بهتان الغطاء والبلى والتشققات الناتجة عن الأشعة فوق البنفسجية أو سوء الاستخدام أو التلف جر الحوادث والعواصف أو الاستخدام الدائم أو شبه الدائم أو التجاري. لا يغطي أي ضرر ناتج عن ذلك. يرجى الاتصال من أجل التعويضات بالموزع الذي تتعامل معه. هذا لا يؤثر على حقوقك القانونية.

البيانات التقنية

| TRT120E | |
|--------------------|----------------------------|
| 12 فولت تيار مستمر | جهد التوصيل: |
| 20 واط | استهلاك الطاقة: |
| 10 أمبير | الحد الأدنى لتصنيف المقبس: |
| 433 ميغا هيرتز | تردد جهاز التحكم عن بعد: |
| 5 سم | عمق الفرشة الاسفنجية: |

| | |
|----------------------------|--|
| TRT120E | |
| 200x 100 x 120 مم | الأبعاد الداخلية للخيمة (عرض X ارتفاع X عمق): |
| 115 x 218 132 سم | الأبعاد الخارجية للخيمة (عرض X ارتفاع X عمق): |
| 32 x 229 144 سم | أبعاد التعبئة (عرض X ارتفاع X عمق): |
| 53 كجم | الوزن (بما فيه السلم): |
| UK CA CE | المطابقة: |

dometic.com

**YOUR LOCAL
DEALER**

dometic.com/dealer

**YOUR LOCAL
SUPPORT**

dometic.com/contact

**YOUR LOCAL
SALES OFFICE**

dometic.com/sales-offices